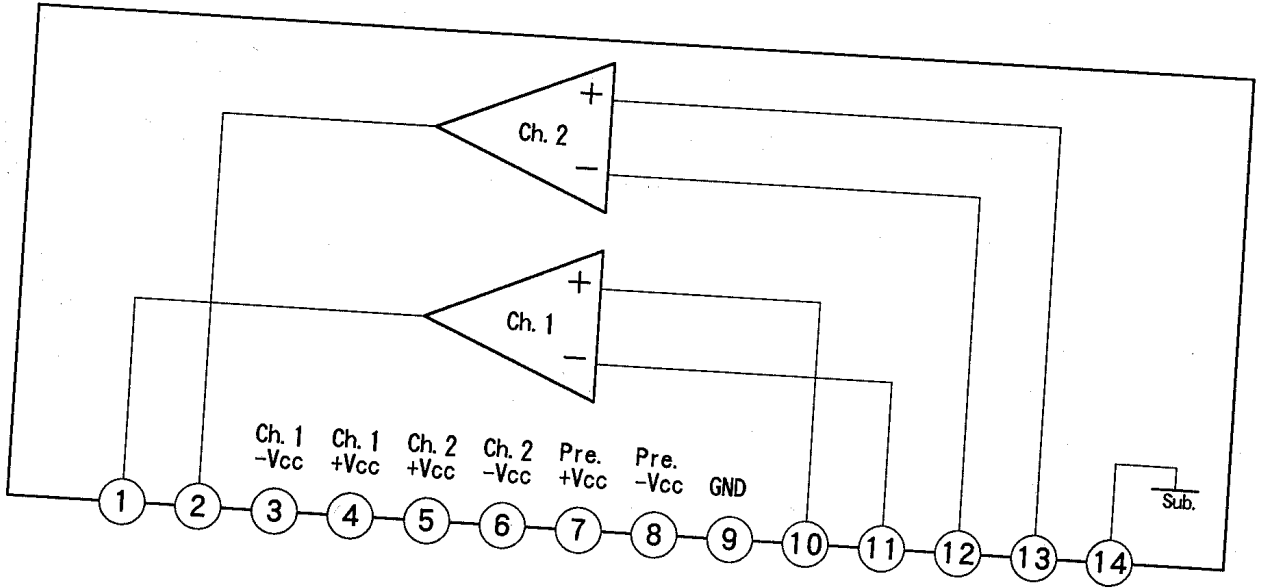


STK405-000A Series

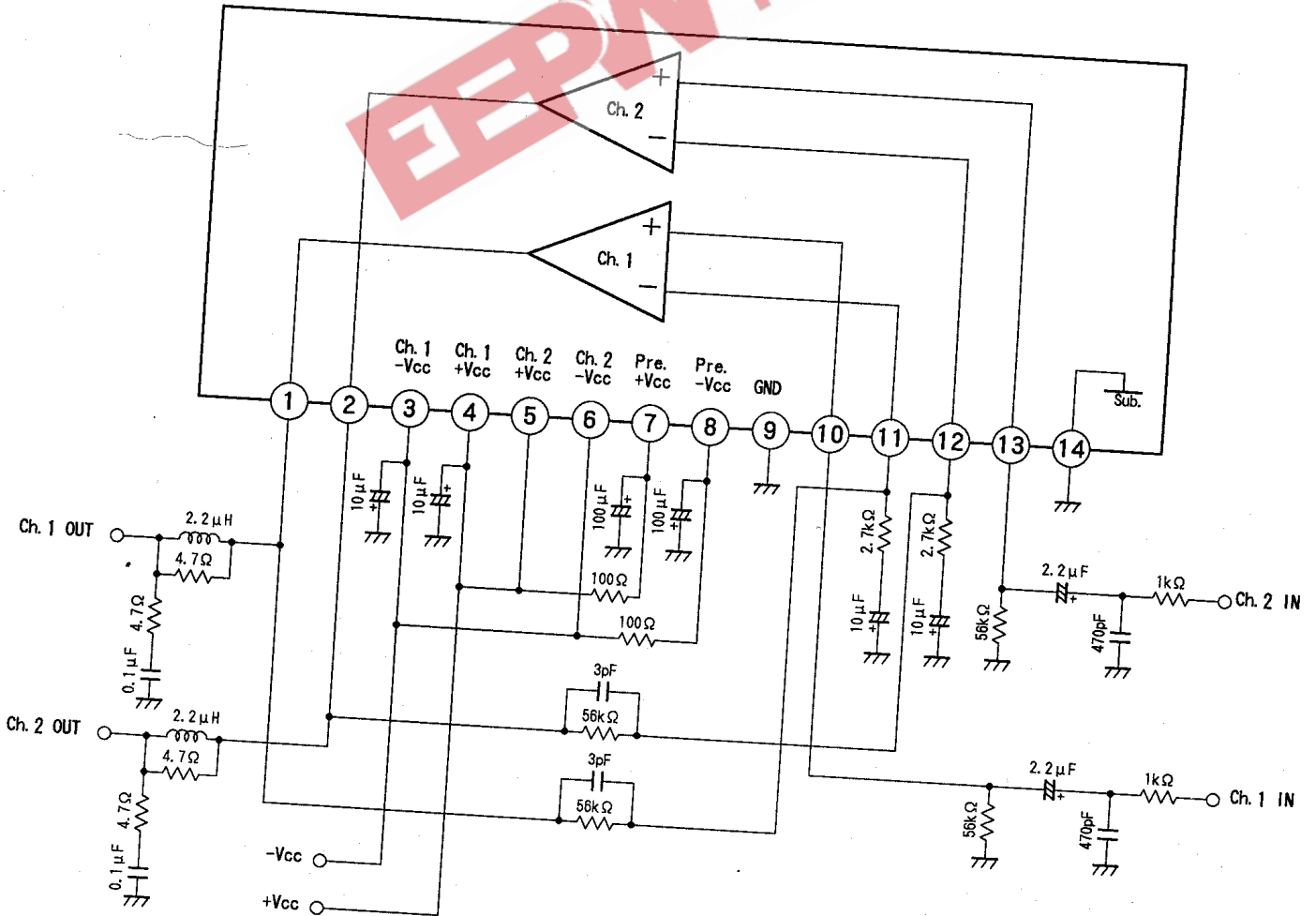
- ★2ch. /1package, B Class Amplifier, \pm Power Supply
- ★ $R_L = 6\Omega$
- ★10W/ch. to 80W/ch.
- ★THD = 10%

Model	Maximum Ratings 最大定格	Recommended Operating Conditions 推奨動作条件	Operating Characteristics (Recommend Operating Conditions at Test Circuit) 動作特性 (Test Circuitにて 推奨動作条件による)	
	Vcc max [V]	Vcc $R_L=6\Omega$ [V]	Po max $R_L=6\Omega$ f=1kHz [W]	THD ($V_G=26dB$) [%]
◎STK405-010A	±26.0	±14.0	10 + 10	10
STK405-030A	±30.5	±18.5	20 + 20	10
STK405-050A	±34.5	±22.0	30 + 30	10
STK405-070A	±39.0	±25.0	40 + 40	10
STK405-090A	±42.0	±26.5	50 + 50	10
STK405-100A	±45.0	±29.0	60 + 60	10
STK405-110A	±50.0	±31.0	70 + 70	10
◎STK405-120A	±52.5	±33.0	80 + 80	10

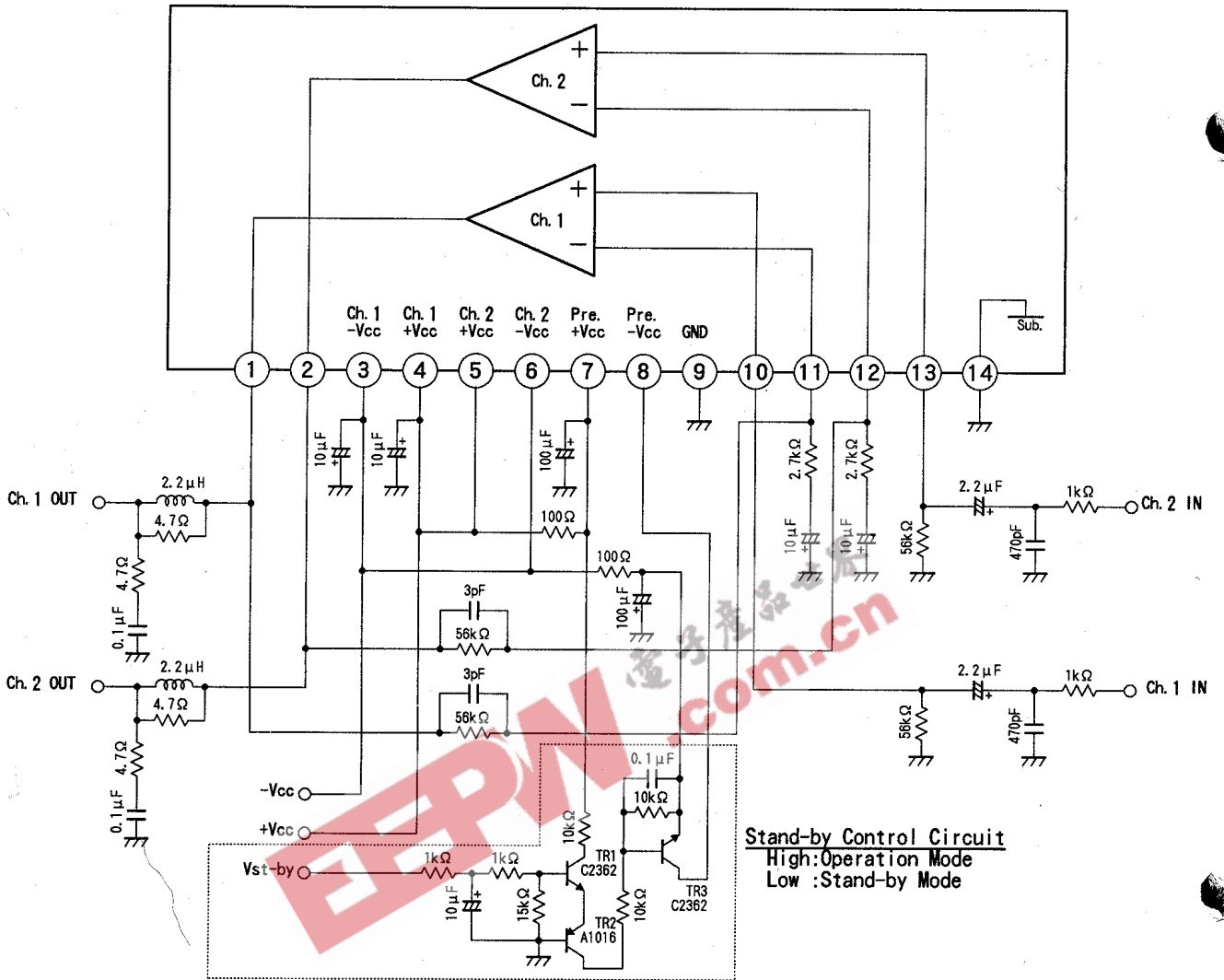
Equivalent Circuit



Test Circuit



Application Circuit



Stand-by Control Circuit
 High: Operation Mode
 Low : Stand-by Mode

Case Outline

① STK405-010A to STK405-090A

② STK405-100A to STK405-120A

