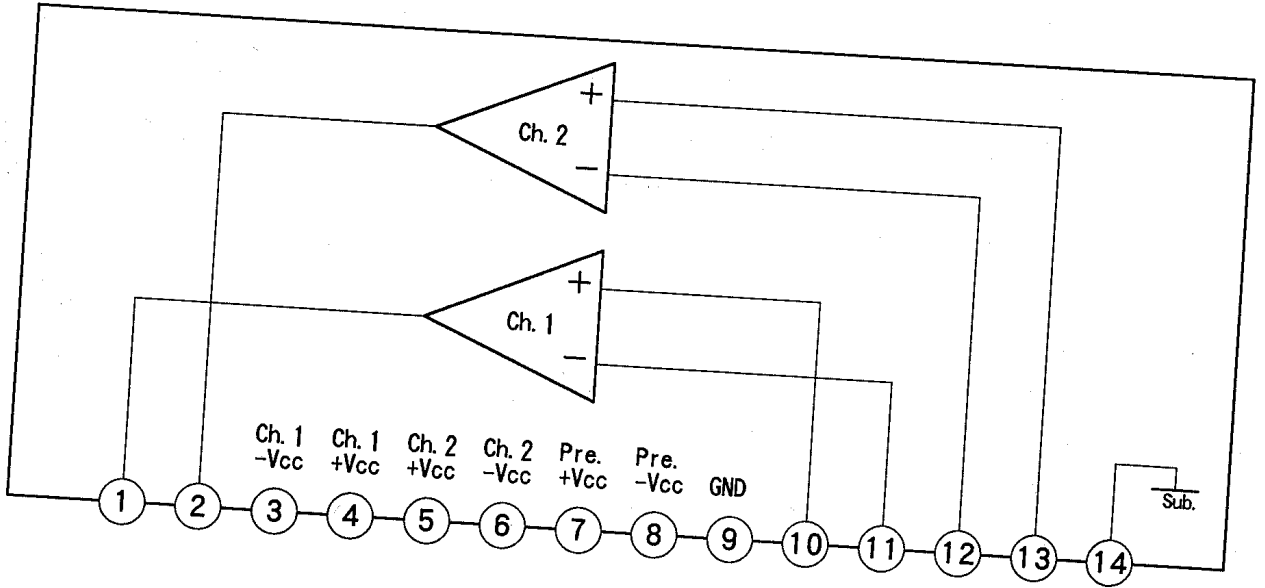


STK405-000A Series

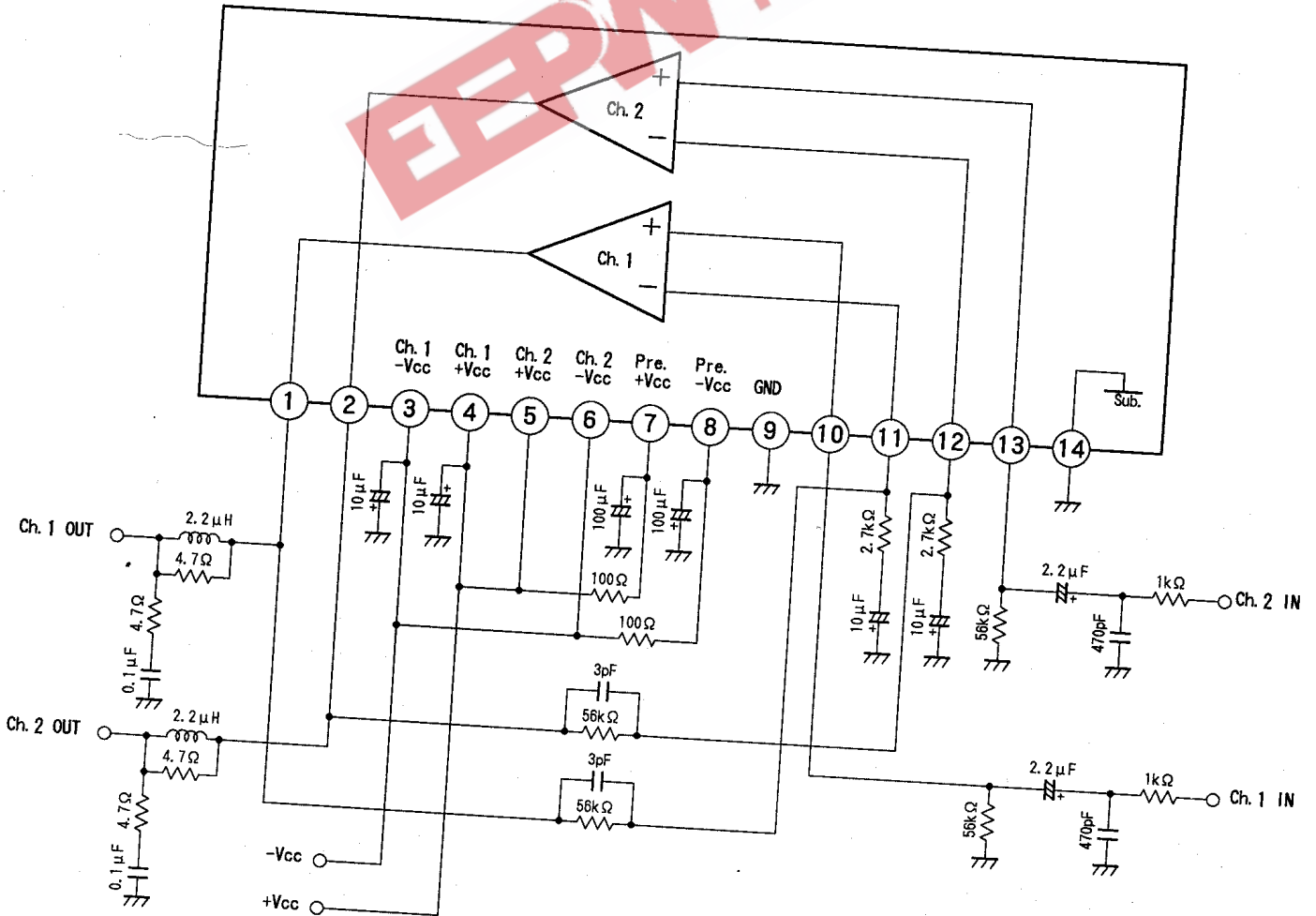
- ★2ch. /1package, B Class Amplifier, \pm Power Supply
- ★ $R_L = 6\Omega$
- ★10W/ch. to 80W/ch.
- ★THD = 10%

Model	Maximum Ratings 最大定格	Recommended Operating Conditions 推奨動作条件	Operating Characteristics (Recommend Operating Conditions at Test Circuit) 動作特性 (Test Circuitにて 推奨動作条件による)	
	Vcc max [V]	Vcc $R_L=6\Omega$ [V]	Po max $R_L=6\Omega$ f=1kHz [W]	THD ($V_G=26dB$) [%]
◎STK405-010A	± 26.0	± 14.0	10 + 10	10
STK405-030A	± 30.5	± 18.5	20 + 20	10
STK405-050A	± 34.5	± 22.0	30 + 30	10
STK405-070A	± 39.0	± 25.0	40 + 40	10
STK405-090A	± 42.0	± 26.5	50 + 50	10
STK405-100A	± 45.0	± 29.0	60 + 60	10
STK405-110A	± 50.0	± 31.0	70 + 70	10
◎STK405-120A	± 52.5	± 33.0	80 + 80	10

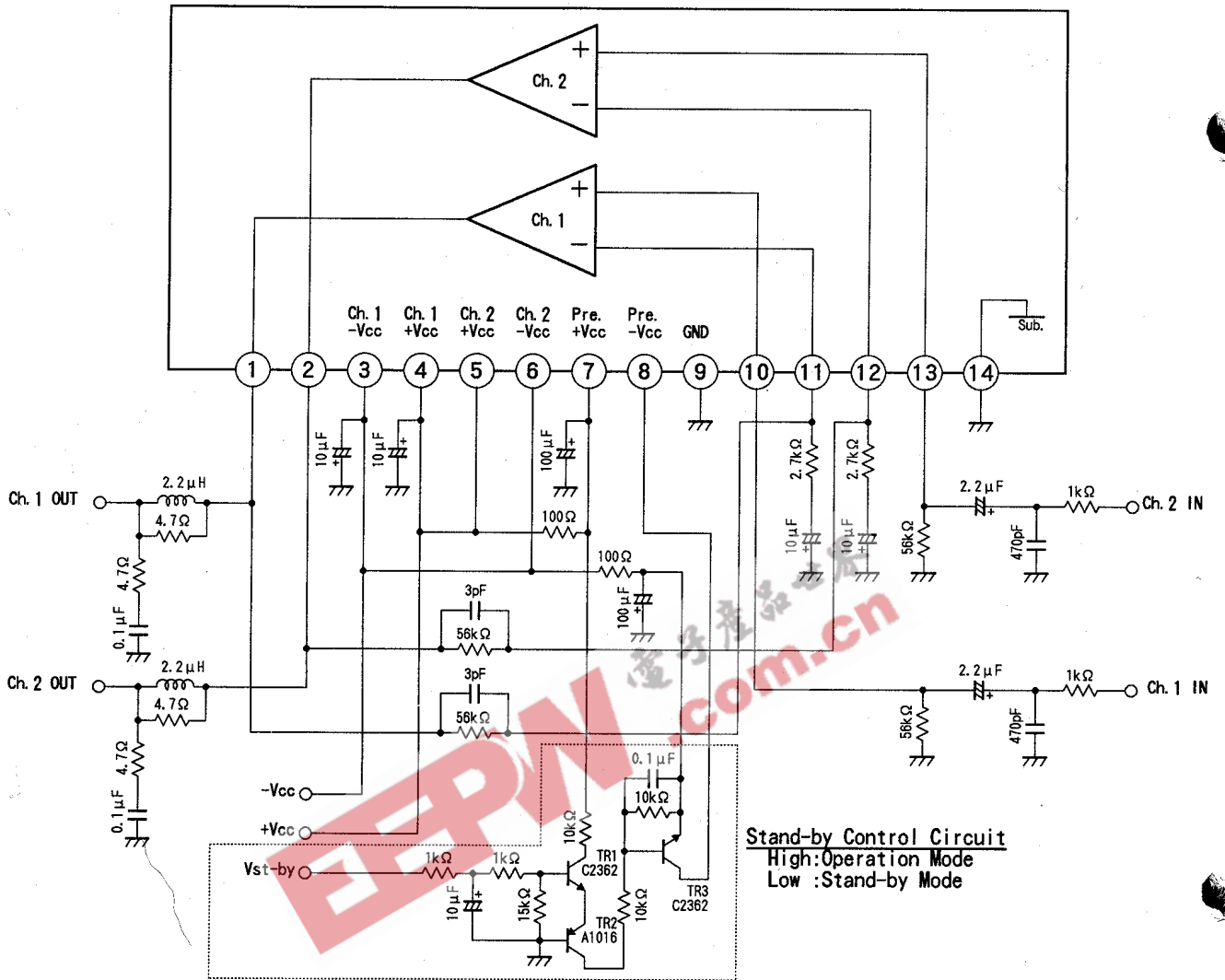
■ Equivalent Circuit



■ Test Circuit



Application Circuit



Case Outline

① STK405-010A to STK405-090A

② STK405-100A to STK405-120A

