

Dual SDTV/DVR set-top box decoder

DATA BRIEF

DESCRIPTION

STMicroelectronics introduces the first silicon device to support the Secure Video Processor standard: STx5525 STB decoder.

Developed specifically to be an open standard, SVP technology gives consumers total confidence that legitimately purchased content can be viewed on a variety of devices from different manufacturers.

The STx5525 device offers two embedded USB2.0 host ports and a SATA interface to satisfy the requirements of all major TV operators while the high performance 400 MHz ST200 CPU powers ever more demanding applications and operating systems.

The STx5525 is the first device from STMicroelectronics to support both dual TV and dual DVR capability from a single device. This enables broadcasters to offer innovative upgrade opportunities without the incurring significant installation costs.

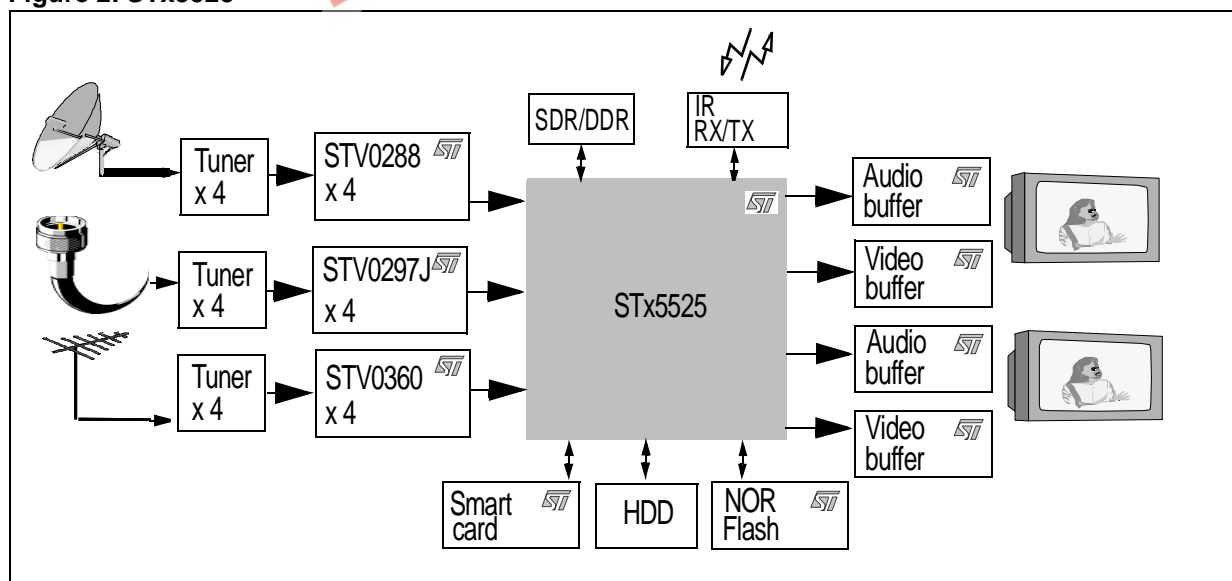
Adding ST's flash, audio and video buffers, smart card devices and a choice of demodulators and silicon tuners, the STx5525 forms the core of a comprehensive portfolio of products targeting

powerful, cost effective satellite, cable and terrestrial set-top boxes.

Figure 1. Package
(27 x 27 PGBGA 416, 1 mm pitch)



Figure 2. STx5525



STX5525

FEATURES

- ST231 multi-issue host CPU
 - 400 MHz
 - 32 Kbyte ICache, 32 Kbyte DCache
 - MMU processor
- Secure Video Processor (SVP) support
- Multi-input DVR-capable transport subsystem
 - Supports DVB and DIRECTV® stream,
 - Integrated DES, DVB, ICAM, Multi2, AES descramblers,
 - NDS RASP compliant.
- Dual MPEG-2 MP@ML video decoder
 - Smooth fastforward and rewind trickmodes
- Dual TV outputs
 - PAL/NTSC/SECAM encoders
- Blitter based graphics
 - 16 bpp with alpha blending
- Dual audio decoding and PCM mixing
 - MPEG layers I/II, and Dolby® Digital
- Dual USB 2.0 ports
- Integrated SATA interface.

PART NUMBERING

Table 1. Order Codes

Part Number	Description
STx5525xxx	xxx
STx5525-MBoard	xxxx

REVISION HISTORY**Table 2. Revision history**

Date	Revision	Description of changes
Aug-2005	1	First issue

EEPW 电子产品世界
.com.cn

Information furnished is believed to be accurate and reliable. However, STMicroelectronics assumes no responsibility for the consequences of use of such information nor for any infringement of patents or other rights of third parties which may result from its use. No license is granted by implication or otherwise under any patent or patent rights of STMicroelectronics. Specifications mentioned in this publication are subject to change without notice. This publication supersedes and replaces all information previously supplied. STMicroelectronics products are not authorized for use as critical components in life support devices or systems without express written approval of STMicroelectronics.

The ST logo is a registered trademark of STMicroelectronics.
All other names are the property of their respective owners

© 2005 STMicroelectronics - All rights reserved

STMicroelectronics group of companies

Australia - Belgium - Brazil - Canada - China - Czech Republic - Finland - France - Germany - Hong Kong - India - Israel - Italy - Japan - Malaysia - Malta - Morocco - Singapore - Spain - Sweden - Switzerland - United Kingdom - United States of America

www.st.com