



LINEAR BUILDING BLOCK – LOW POWER COMPARATOR AND VOLTAGE REFERENCE

FEATURES

- Combination Comparator and Reference in a SOT23A-5* Package
- Rail-to-Rail Inputs and Outputs
- Optimized for Single Supply Operation
- Ultra Low Input Bias Current Less than 100pA
- Low Quiescent Current 6µA Max
- Operates Down to $V_{DD} = 1.8V$

APPLICATIONS

- Power Supply Circuits
- Embedded Systems
- Instrumentation
- Portable Equipment
- Consumer Products
- Replacements for Discrete Components

GENERAL DESCRIPTION

The TC1031 is a low power, complimentary output comparator plus voltage reference designed specifically for low power applications.

The TC1031 is designed for operation from a single supply, however, operation from dual supplies is also possible, and the power supply current drain is independent of the magnitude of the power supply voltage. Maximum supply current is 6µA and operation is guaranteed to $V_{DD} = 1.8V$. The input common mode range includes ground and the output swing is rail-to-rail.

Packaged in a space-saving SOT23A-5*, the TC1031 is ideal for applications requiring high integration, small size and low power.

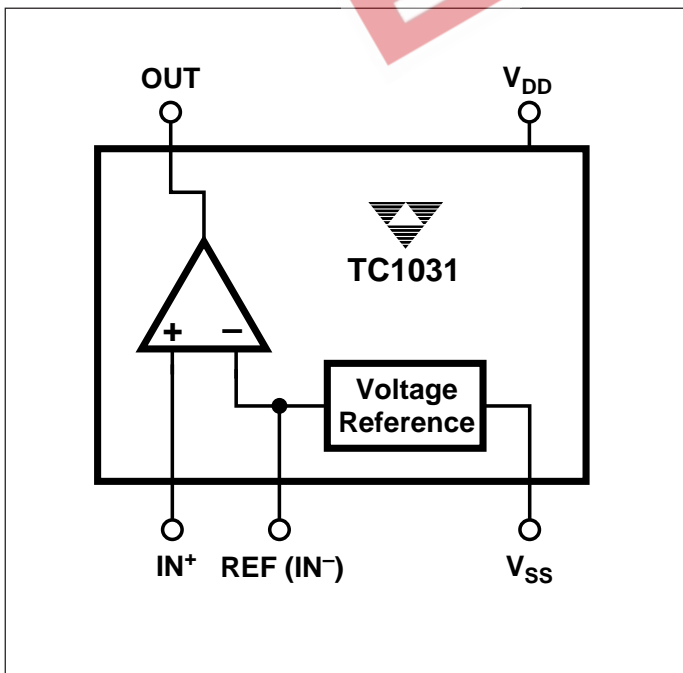
ORDERING INFORMATION

Part No.	Package	Temp. Range
TC1031CCT	SOT23A-5*	0°C to +70°C
TC1031ECT	SOT23A-5*	- 40°C to +85°C

TC43EV Evaluation Kit for Linear Building Block Family

NOTE: * SOT23A-5 is equivalent to the EIAJ (SC-74A)

FUNCTIONAL BLOCK DIAGRAM



PIN CONFIGURATION

