

Voltage Detector

Features

- Highly Accurate: $\pm 2\%$
- Low Power Consumption: $1.0\mu\text{A}$, Typ.
- Detect Voltage Range: 1.6V to 6.0V and 7.7V
- Operating Voltage: 1.5V to 10.0V
- Output Configuration: Open-Drain or CMOS
- Space-Saving 5-Pin SOT-23A Package

Typical Applications

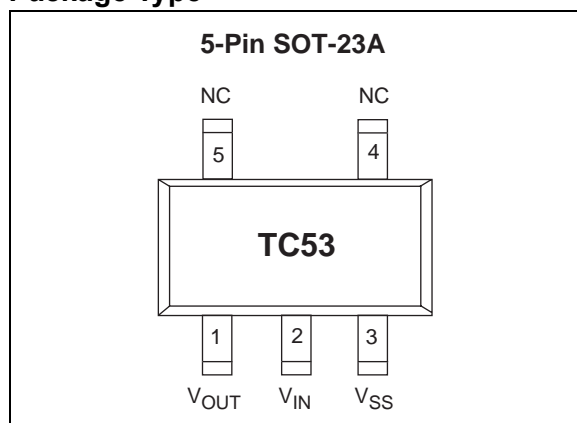
- Microprocessor Reset Circuits
- Battery Life Monitors and Recharge Voltage Monitors
- Memory Battery Backup Circuitry
- Power-On Reset Circuits
- Power Failure Detection
- Delay Circuitry

Device Selection Table

| Part Number | Package | Temp. Range |
|----------------|---------------|----------------|
| TC53-xxxxxxxxx | 5-Pin SOT-23A | -40°C to +85°C |

Other output voltages are available. Please contact Microchip Technology Inc. for details.

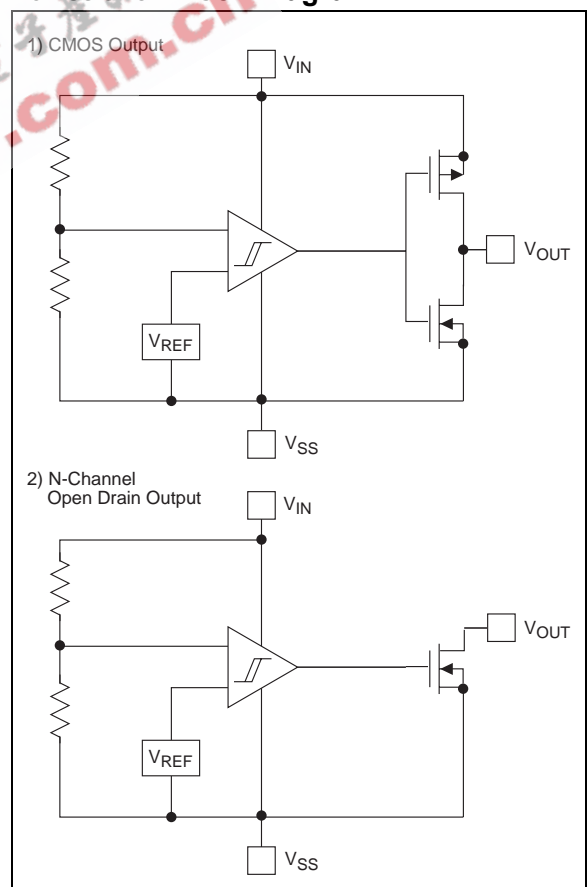
Package Type



General Description

The TC53 is a low power voltage detector. Typical supply current consumption is only $1\mu\text{A}$ at an input voltage of 2V. The voltage detection threshold setting is factory-programmed and guaranteed to $\pm 2\%$ accuracy. Threshold settings are available over a range of 1.6V to 6.0V. The TC53 has both complementary (CMOS) and open drain (NMOS) output configuration options. TC53 is the ideal voltage detector for precision applications in which small size, low installed cost, high accuracy and low supply current consumption are critical.

Functional Block Diagram



TC53

1.0 ELECTRICAL CHARACTERISTICS

Absolute Maximum Ratings*

| | |
|-----------------------------------|------------------------------------|
| Input Voltage | +12V |
| Output Current | 50mA |
| Output Voltage | $V_{IN} + 0.3V$ to $V_{SS} - 0.3V$ |
| Power Dissipation | |
| 5-Pin SOT-23A | 240mW |
| Operating Temperature Range | -40°C to +85°C |
| Storage Temperature Range | -40°C to +125°C |

*Stresses above those listed under "Absolute Maximum Ratings" may cause permanent damage to the device. These are stress ratings only and functional operation of the device at these or any other conditions above those indicated in the operation sections of the specifications is not implied. Exposure to Absolute Maximum Rating conditions for extended periods may affect device reliability.

TC53 ELECTRICAL SPECIFICATIONS

| Electrical Characteristics: $T_A = 25^\circ\text{C}$, unless otherwise specified. Note 1, Note 2. | | | | | | |
|--|---|----------------------|------------------------------------|---------------------------------|---------------|---|
| Symbol | Parameter | Min | Typ | Max | Units | Test Conditions |
| V_{DF} | Detect Voltage | $V_T \times 0.98$ | $V_T \pm 0.5\%$ | $V_T \times 1.02$ | V | Note 3 |
| V_{HYS} | Hysteresis Range | $V_{DF} \times 0.02$ | $V_{DF} \times 0.05$ | $V_{DF} \times 0.08$ | V | |
| I_{SS} | Supply Current | — | 0.9 1.0 1.3 1.6 2.0 | 2.6 3.0 3.4 3.8 4.2 | μA | $V_{IN} = 1.5V$ $V_{IN} = 2.0V$ $V_{IN} = 3.0V$ $V_{IN} = 4.0V$ $V_{IN} = 5.0V$ |
| V_{IN} | Operating Voltage | 1.5 | — | 10.0 | V | $V_{DF} = 2.1$ to $6.0V$ |
| I_{OUT} | Output Current | — | 2.2 7.7 10.1 11.5 13.0 | — | mA | N-ch; $V_{DS} = 0.5V$, $V_{IN} = 1.0V$ $V_{IN} = 2.0V$ $V_{IN} = 3.0V$ $V_{IN} = 4.0V$ $V_{IN} = 5.0V$ |
| | | | -10.0 | — | | P-ch; $V_{DS} = 2.1V$, $V_{IN} = 8.0V$ (CMOS Output) |
| $\frac{\Delta V_{DF}}{(\Delta T_{OPR} V_{DF})}$ | Temperature Characteristics | — | ± 100 | — | ppm/°C | |
| t_{DLY} | Delay Time ($V_{DR} \rightarrow V_{OUT}$ Inversion) | — | — | 0.2 | msec | |

- Note**
- 1: An additional resistor between the V_{IN} pin and the supply voltage may alter the electrical characteristics due to the increasing values of V_{DR} .
 - 2: The power consumption during power-start to output being stable (release operation) is $2\mu\text{A}$ greater than it is after that period (completion of release operation) because of rush current in the delay circuit.
 - 3: V_T is the factory-programmed voltage detection threshold.

2.0 PIN DESCRIPTIONS

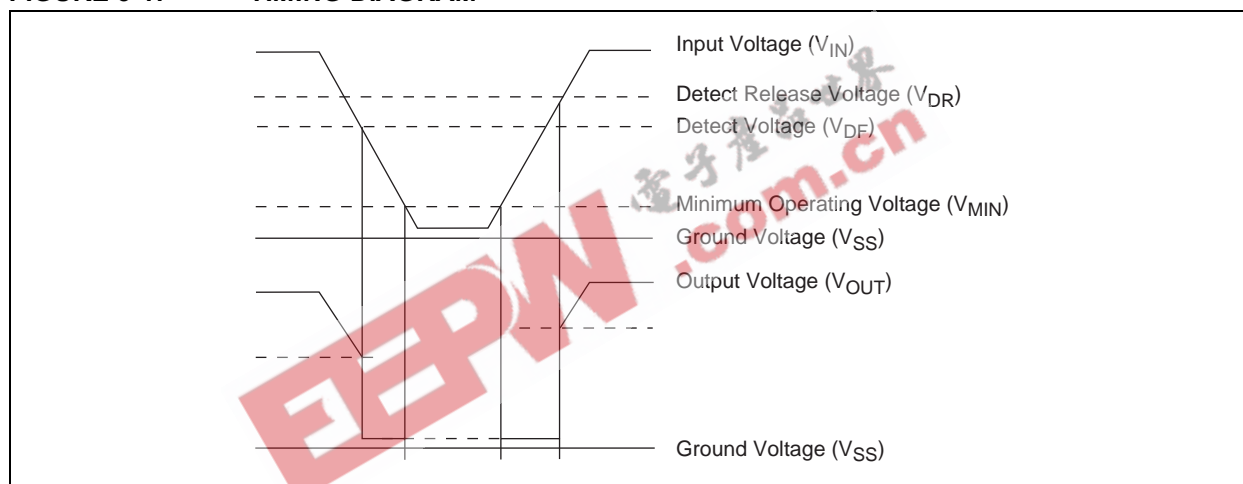
The descriptions of the pins are listed in Table 2-1.

TABLE 2-1: PIN FUNCTION TABLE

| Pin No. (5-Pin SOT-23A) | Symbol | Description |
|----------------------------|------------|-----------------------|
| 1 | V_{OUT1} | Output. |
| 2 | V_{IN} | Supply voltage input. |
| 3 | V_{SS} | Ground terminal. |
| 4 | NC | Not connected. |
| 5 | NC | Not connected. |

3.0 DETAILED DESCRIPTION

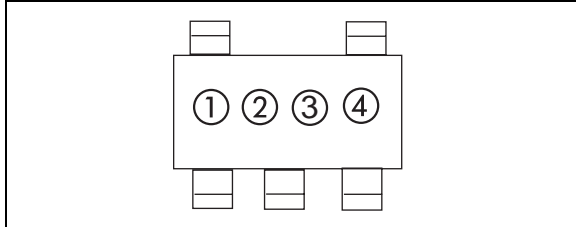
FIGURE 3-1: TIMING DIAGRAM



TC53

4.0 PACKAGING INFORMATION

4.1 Package Marking Information



① represents output configuration and first integer of voltage

| Symbol | Output | Voltage |
|--------|--------|---------|
| A | CMOS | 0. |
| B | CMOS | 1. |
| C | CMOS | 2. |
| D | CMOS | 3. |
| E | CMOS | 4. |
| F | CMOS | 5. |
| H | CMOS | 6. |

| Symbol | Output | Voltage |
|--------|--------|---------|
| K | Nch | 0. |
| L | Nch | 1. |
| M | Nch | 2. |
| N | Nch | 3. |
| P | Nch | 4. |
| R | Nch | 5. |
| S | Nch | 6. |

② represents first decimal of output voltage

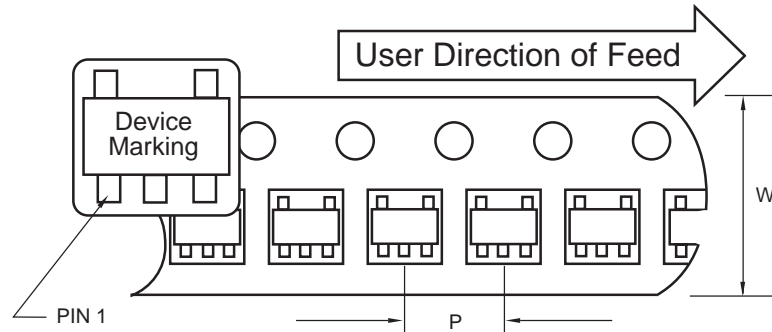
| Symbol | Voltage |
|--------|---------|
| 0 | .0 |
| 1 | .1 |
| 2 | .2 |
| 3 | .3 |
| 4 | .4 |
| 5 | .5 |
| 6 | .6 |
| 7 | .7 |
| 8 | .8 |
| 9 | .9 |

③ represents delay function and delay time
3 = no delay function

④ represents assembly lot code

4.2 Taping Form

Component Taping Orientation for 5-Pin SOT-23A (EIAJ SC-74A) Devices



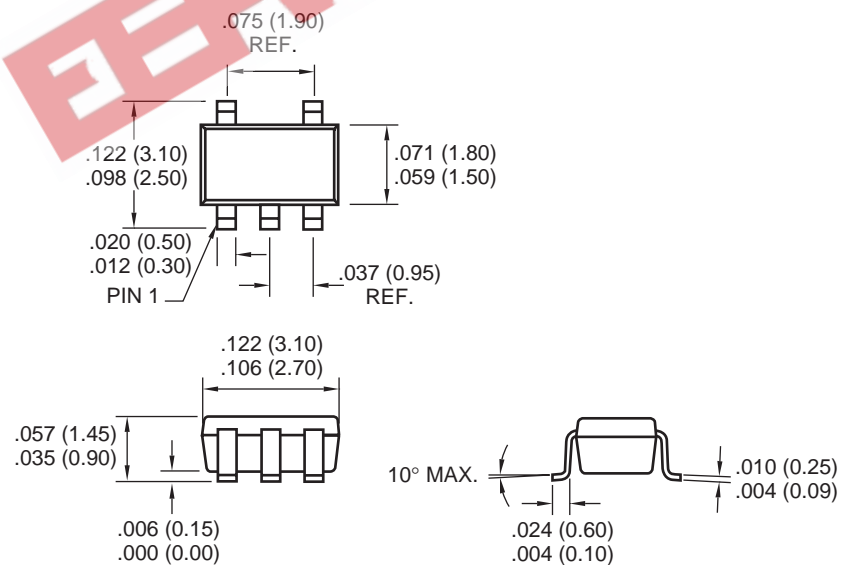
Standard Reel Component Orientation
 TR Suffix Device
 (Mark Right Side Up)

Carrier Tape, Number of Components Per Reel and Reel Size

| Package | Carrier Width (W) | Pitch (P) | Part Per Full Reel | Reel Size |
|---------------|-------------------|-----------|--------------------|-----------|
| 5-Pin SOT-23A | 8 mm | 4 mm | 3000 | 7 in |

4.3 Package Dimensions

SOT-23A-5



Dimensions: inches (mm)

TC53

NOTES:

EEPW 电子产品世界
.com.cn

PRODUCT IDENTIFICATION SYSTEM

To order or obtain information, e.g., on pricing or delivery, refer to the factory or the listed sales office.

| | | | | | | |
|------------------------------|-------------|----------|-----------|-----------|------------|-----------|
| PART CODE | TC53 | X | XX | 02 | ECX | XX |
| Output Configuration: | _____ | | | | | |
| N = NMOS | | | | | | |
| C = CMOS | | | | | | |
| Detected Voltage: | _____ | | | | | |
| Ex: 18 = 1.8V | | | | | | |
| Ex: 28 = 2.8V | | | | | | |
| Ex: 30 = 3.0V | | | | | | |
| Tolerance: | _____ | | | | | |
| 02 = ±2% | | | | | | |
| Temperature/Package: | _____ | | | | | |
| E: -40°C to +85°C | | | | | | |
| CT: 5-Pin SOT23A Package | | | | | | |
| Taping Direction: | _____ | | | | | |
| TR: Standard Taping | | | | | | |

Sales and Support

Data Sheets

Products supported by a preliminary Data Sheet may have an errata sheet describing minor operational differences and recommended workarounds. To determine if an errata sheet exists for a particular device, please contact one of the following:

1. Your local Microchip sales office
2. The Microchip Corporate Literature Center U.S. FAX: (480) 792-7277
3. The Microchip Worldwide Site (www.microchip.com)

Please specify which device, revision of silicon and Data Sheet (include Literature #) you are using.

New Customer Notification System

Register on our web site (www.microchip.com/cn) to receive the most current information on our products.

TC53

NOTES:

EEPW 电子产品世界
.com.cn

Information contained in this publication regarding device applications and the like is intended through suggestion only and may be superseded by updates. It is your responsibility to ensure that your application meets with your specifications. No representation or warranty is given and no liability is assumed by Microchip Technology Incorporated with respect to the accuracy or use of such information, or infringement of patents or other intellectual property rights arising from such use or otherwise. Use of Microchip's products as critical components in life support systems is not authorized except with express written approval by Microchip. No licenses are conveyed, implicitly or otherwise, under any intellectual property rights.

Trademarks


The Microchip name and logo, the Microchip logo, FilterLab, KEELOQ, microID, MPLAB, MXDEV, PIC, PICmicro, PICMASTER, PICSTART, PRO MATE, SEEVAL and The Embedded Control Solutions Company are registered trademarks of Microchip Technology Incorporated in the U.S.A. and other countries.

dsPIC, dsPICDEM.net, ECONOMONITOR, FanSense, FlexROM, fuzzyLAB, In-Circuit Serial Programming, ICSP, ICEPIC, microPort, Migratable Memory, MPASM, MPLIB, MPLINK, MPSIM, MXLAB, PICC, PICDEM, PICDEM.net, rfPIC, Select Mode and Total Endurance are trademarks of Microchip Technology Incorporated in the U.S.A.

Serialized Quick Turn Programming (SQTP) is a service mark of Microchip Technology Incorporated in the U.S.A.

All other trademarks mentioned herein are property of their respective companies.

© 2002, Microchip Technology Incorporated, Printed in the U.S.A., All Rights Reserved.

 Printed on recycled paper.



WORLDWIDE SALES AND SERVICE

AMERICAS

Corporate Office

2355 West Chandler Blvd.
Chandler, AZ 85224-6199
Tel: 480-792-7200 Fax: 480-792-7277
Technical Support: 480-792-7627
Web Address: <http://www.microchip.com>

Rocky Mountain

2355 West Chandler Blvd.
Chandler, AZ 85224-6199
Tel: 480-792-7966 Fax: 480-792-4338

Atlanta

500 Sugar Mill Road, Suite 200B
Atlanta, GA 30350
Tel: 770-640-0034 Fax: 770-640-0307

Boston

2 Lan Drive, Suite 120
Westford, MA 01886
Tel: 978-692-3848 Fax: 978-692-3821

Chicago

333 Pierce Road, Suite 180
Itasca, IL 60143
Tel: 630-285-0071 Fax: 630-285-0075

Dallas

4570 Westgrove Drive, Suite 160
Addison, TX 75001
Tel: 972-818-7423 Fax: 972-818-2924

Detroit

Tri-Atria Office Building
32255 Northwestern Highway, Suite 190
Farmington Hills, MI 48334
Tel: 248-538-2250 Fax: 248-538-2260

Kokomo

2767 S. Albright Road
Kokomo, Indiana 46902
Tel: 765-864-8360 Fax: 765-864-8387

Los Angeles

18201 Von Karman, Suite 1090
Irvine, CA 92612
Tel: 949-263-1888 Fax: 949-263-1338

New York

150 Motor Parkway, Suite 202
Hauppauge, NY 11788
Tel: 631-273-5305 Fax: 631-273-5335

San Jose

Microchip Technology Inc.
2107 North First Street, Suite 590
San Jose, CA 95131
Tel: 408-436-7950 Fax: 408-436-7955

Toronto

6285 Northam Drive, Suite 108
Mississauga, Ontario L4V 1X5, Canada
Tel: 905-673-0699 Fax: 905-673-6509

ASIA/PACIFIC

Australia

Microchip Technology Australia Pty Ltd
Suite 22, 41 Rawson Street
Epping 2121, NSW
Australia
Tel: 61-2-9868-6733 Fax: 61-2-9868-6755

China - Beijing

Microchip Technology Consulting (Shanghai)
Co., Ltd., Beijing Liaison Office
Unit 915
Bei Hai Wan Tai Bldg.
No. 6 Chaoyangmen Beidajie
Beijing, 100027, No. China
Tel: 86-10-85282100 Fax: 86-10-85282104

China - Chengdu

Microchip Technology Consulting (Shanghai)
Co., Ltd., Chengdu Liaison Office
Rm. 2401, 24th Floor,
Ming Xing Financial Tower
No. 88 TIDU Street
Chengdu 610016, China
Tel: 86-28-86766200 Fax: 86-28-86766599

China - Fuzhou

Microchip Technology Consulting (Shanghai)
Co., Ltd., Fuzhou Liaison Office
Unit 28F, World Trade Plaza
No. 71 Wusi Road
Fuzhou 350001, China
Tel: 86-591-7503506 Fax: 86-591-7503521

China - Shanghai

Microchip Technology Consulting (Shanghai)
Co., Ltd.
Room 701, Bldg. B
Far East International Plaza
No. 317 Xian Xia Road
Shanghai, 200051
Tel: 86-21-6275-5700 Fax: 86-21-6275-5060

China - Shenzhen

Microchip Technology Consulting (Shanghai)
Co., Ltd., Shenzhen Liaison Office
Rm. 1315, 13/F, Shenzhen Kerry Centre,
Renminnan Lu
Shenzhen 518001, China
Tel: 86-755-2350361 Fax: 86-755-2366086

China - Hong Kong SAR

Microchip Technology Hongkong Ltd.
Unit 901-6, Tower 2, Metroplaza
223 Hing Fong Road
Kwai Fong, N.T., Hong Kong
Tel: 852-2401-1200 Fax: 852-2401-3431

India

Microchip Technology Inc.
India Liaison Office
Divyasree Chambers
1 Floor, Wing A (A3/A4)
No. 11, O'Shaughnessy Road
Bangalore, 560 025, India
Tel: 91-80-2290061 Fax: 91-80-2290062

Japan

Microchip Technology Japan K.K.
Benex S-1 6F
3-18-20, Shinyokohama
Kohoku-Ku, Yokohama-shi
Kanagawa, 222-0033, Japan
Tel: 81-45-471-6166 Fax: 81-45-471-6122

Korea

Microchip Technology Korea
168-1, Youngbo Bldg. 3 Floor
Samsung-Dong, Kangnam-Ku
Seoul, Korea 135-882
Tel: 82-2-554-7200 Fax: 82-2-558-5934

Singapore

Microchip Technology Singapore Pte Ltd.
200 Middle Road
#07-02 Prime Centre
Singapore, 188980
Tel: 65-6334-8870 Fax: 65-6334-8850

Taiwan

Microchip Technology (Barbados) Inc.,
Taiwan Branch
11F-3, No. 207
Tung Hua North Road
Taipei, 105, Taiwan
Tel: 886-2-2717-7175 Fax: 886-2-2545-0139

EUROPE

Denmark

Microchip Technology Nordic ApS
Regus Business Centre
Lautrup hoj 1-3
Ballerup DK-2750 Denmark
Tel: 45 4420 9895 Fax: 45 4420 9910

France

Microchip Technology SARL
Parc d'Activite du Moulin de Massy
43 Rue du Saule Trapu
Batiment A - 1er Etage
91300 Massy, France
Tel: 33-1-69-53-63-20 Fax: 33-1-69-30-90-79

Germany

Microchip Technology GmbH
Gustav-Heinemann Ring 125
D-81739 Munich, Germany
Tel: 49-89-627-144 0 Fax: 49-89-627-144-44

Italy

Microchip Technology SRL
Centro Direzionale Colleoni
Palazzo Taurus 1 V. Le Colleoni 1
20041 Agrate Brianza
Milan, Italy
Tel: 39-039-65791-1 Fax: 39-039-6899883

United Kingdom

Microchip Ltd.
505 Eskdale Road
Winkersley Triangle
Wokingham
Berkshire, England RG41 5TU
Tel: 44 118 921 5869 Fax: 44-118 921-5820

Austria

Microchip Technology Austria GmbH
Durisolstrasse 2
A-4600 Wels
Austria
Tel: 43-7242-2244-399
Fax: 43-7242-2244-393