

6A HIGH-SPEED MOSFET DRIVERS

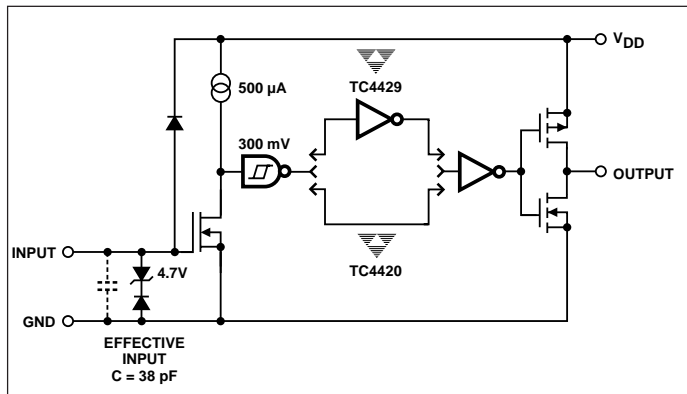
FEATURES

- Latch-Up Protected Will Withstand > 1.5A Reverse Output Current
- Logic Input Will Withstand Negative Swing Up to 5V
- ESD Protected 4kV
- Matched Rise and Fall Times 25nsec
- High Peak Output Current 6A Peak
- Wide Operating Range 4.5V to 18V
- High Capacitive Load Drive 10,000 pF
- Short Delay Time 55nsec Typ
- Logic High Input, Any Voltage 2.4V to V_{DD}
- Low Supply Current With Logic "1" Input ... 450µA
- Low Output Impedance 2.5Ω
- Output Voltage Swing to Within 25mV of Ground or V_{DD}

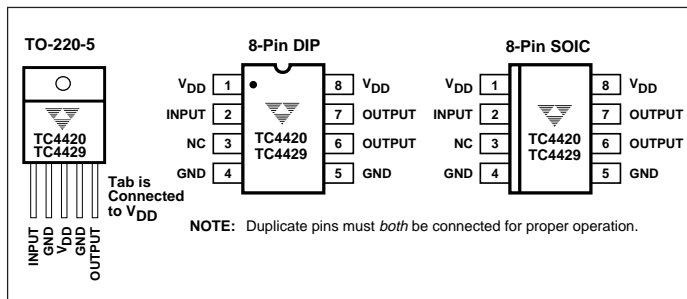
APPLICATIONS

- Switch-Mode Power Supplies
- Motor Controls
- Pulse Transformer Driver
- Class D Switching Amplifiers

FUNCTIONAL BLOCK DIAGRAM



PIN CONFIGURATIONS



GENERAL DESCRIPTION

The TC4420/4429 are 6A (peak), single output MOSFET drivers. The TC4429 is an inverting driver (pin-compatible with the TC429), while the TC4420 is a non-inverting driver. These drivers are fabricated in CMOS for lower power, more efficient operation versus bipolar drivers.

Both devices have TTL-compatible inputs, which can be driven as high as V_{DD} + 0.3V or as low as -5V without upset or damage to the device. This eliminates the need for external level shifting circuitry and its associated cost and size. The output swing is rail-to-rail ensuring better drive voltage margin, especially during power up/power down sequencing. Propagational delay time is only 55nsec (typ.) and the output rise and fall times are only 25nsec (typ.) into 2500pF across the usable power supply range.

Unlike other drivers, the TC4420/4429 are virtually latch-up proof. They replace three or more discrete components saving PCB area, parts and improving overall system reliability.

ORDERING INFORMATION

Part No.	Logic	Package	Temp. Range
TC4420CAT	Noninverting	5-Pin TO-220	0°C to +70°C
TC4420COA	Noninverting	8-Pin SOIC	0°C to +70°C
TC4420CPA	Noninverting	8-Pin PDIP	0°C to +70°C
TC4420EOA	Noninverting	8-Pin SOIC	-40°C to +85°C
TC4420EPA	Noninverting	8-Pin PDIP	-40°C to +85°C
TC4420IJA	Noninverting	8-Pin CerDIP	-25°C to +85°C
TC4420MJA	Noninverting	8-Pin CerDIP	-55°C to +125°C
TC4429CAT	Inverting	5-Pin TO-220	0°C to +70°C
TC4429COA	Inverting	8-Pin SOIC	0°C to +70°C
TC4429CPA	Inverting	8-Pin PDIP	0°C to +70°C
TC4429EOA	Inverting	8-Pin SOIC	-40°C to +85°C
TC4429EPA	Inverting	8-Pin PDIP	-40°C to +85°C
TC4429IJA	Inverting	8-Pin CerDIP	-25°C to +85°C
TC4429MJA	Inverting	8-Pin CerDIP	-55°C to +125°C

6A HIGH-SPEED MOSFET DRIVERS

TC4420 TC4429

ABSOLUTE MAXIMUM RATINGS*

Supply Voltage	+20V
Input Voltage	- 5V to > V _{DD}
Input Current (V _{IN} > V _{DD})	50mA
Power Dissipation, T _A ≤ 70°C	
PDIP	730mW
SOIC	470mW
CerDIP	800mW
5-Pin TO-220	1.6W
Package Power Dissipation (T _A ≤ 70°C)	
5-Pin TO-220 (With Heat Sink)	1.60W
Derating Factors (To Ambient)	
PDIP	8mW/°C
SOIC	4mW/°C
CerDIP	6.4mW/°C
5-Pin TO-220	12mW/°C
Thermal Impedances (To Case)	
5-Pin TO-220 R _{θJ-C}	10°C/W

Storage Temperature Range	- 65°C to +150°C
Operating Temperature (Chip)	+150°C
Operating Temperature Range (Ambient)	
C Version	0°C to +70°C
I Version	- 25°C to +85°C
E Version	- 40°C to +85°C
M Version	- 55°C to +125°C
Lead Temperature (Soldering, 10 sec)	+300°C

*Static-sensitive device. Unused devices must be stored in conductive material. Protect devices from static discharge and static fields. Stresses above those listed under "Absolute Maximum Ratings" may cause permanent damage to the device. These are stress ratings only and functional operation of the device at these or any other conditions above those indicated in the operation sections of the specifications is not implied. Exposure to absolute maximum rating conditions for extended periods may affect device reliability.

ELECTRICAL CHARACTERISTICS: T_A = +25°C with 4.5V ≤ V_{DD} ≤ 18V, unless otherwise specified.

Symbol	Parameter	Test Conditions	Min	Typ	Max	Unit
Input						
V _{IH}	Logic 1 High Input Voltage		2.4	1.8	—	V
V _{IL}	Logic 0 Low Input Voltage		—	1.3	0.8	V
V _{IN} (Max)	Input Voltage Range		-5	—	V _{DD} +0.3	V
I _{IN}	Input Current	0V ≤ V _{IN} ≤ V _{DD}	- 10	—	10	μA
Output						
V _{OH}	High Output Voltage	See Figure 1	V _{DD} - 0.025	—	—	V
V _{OL}	Low Output Voltage	See Figure 1	—	—	0.025	V
R _O	Output Resistance, High	I _{OUT} = 10 mA, V _{DD} = 18V	—	2.1	2.8	Ω
R _O	Output Resistance, Low	I _{OUT} = 10 mA, V _{DD} = 18V	—	1.5	2.5	Ω
I _{PK}	Peak Output Current	V _{DD} = 18V (See Figure 5)	—	6	—	A
I _{REV}	Latch-Up Protection Withstand Reverse Current	Duty Cycle ≤ 2% t ≤ 300 μs	1.5	—	—	A
Switching Time (Note 1)						
t _R	Rise Time	Figure 1, C _L = 2500 pF	—	25	35	nsec
t _F	Fall Time	Figure 1, C _L = 2500 pF	—	25	35	nsec
t _{D1}	Delay Time	Figure 1	—	55	75	nsec
t _{D2}	Delay Time	Figure 1	—	55	75	nsec
Power Supply						
I _S	Power Supply Current	V _{IN} = 3V V _{IN} = 0V	—	0.45 55	1.5 150	mA μA
V _{DD}	Operating Input Voltage		4.5	—	18	V

6A HIGH-SPEED MOSFET DRIVERS

TC4420
TC4429

ELECTRICAL CHARACTERISTICS: Measured over operating temperature range with $4.5V \leq V_{DD} \leq 18V$, unless otherwise specified.

Symbol	Parameter	Test Conditions	Min	Typ	Max	Unit
Input						
V_{IH}	Logic 1 High Input Voltage		2.4	—	—	V
V_{IL}	Logic 0 Low Input Voltage		—	—	0.8	V
V_{IN} (Max)	Input Voltage Range		-5	—	$V_{DD} + 0.3$	V
I_{IN}	Input Current	$0V \leq V_{IN} \leq V_{DD}$	-10	—	10	μA
Output						
V_{OH}	High Output Voltage	See Figure 1	$V_{DD} - 0.025$	—	—	V
V_{OL}	Low Output Voltage	See Figure 1	—	—	0.025	V
R_O	Output Resistance, High	$I_{OUT} = 10\text{ mA}, V_{DD} = 18V$	—	3	5	Ω
R_O	Output Resistance, Low	$I_{OUT} = 10\text{ mA}, V_{DD} = 18V$	—	2.3	5	Ω
Switching Time (Note 1)						
t_R	Rise Time	Figure 1, $C_L = 2500\text{ pF}$	—	32	60	nsec
t_F	Fall Time	Figure 1, $C_L = 2500\text{ pF}$	—	34	60	nsec
t_{D1}	Delay Time	Figure 1	—	50	100	nsec
t_{D2}	Delay Time	Figure 1	—	65	100	nsec
Power Supply						
I_S	Power Supply Current	$V_{IN} = 3V$ $V_{IN} = 0V$	—	0.45 60	3 400	mA μA
V_{DD}	Operating Input Voltage		4.5	—	18	V

NOTE: 1. Switching times guaranteed by design.

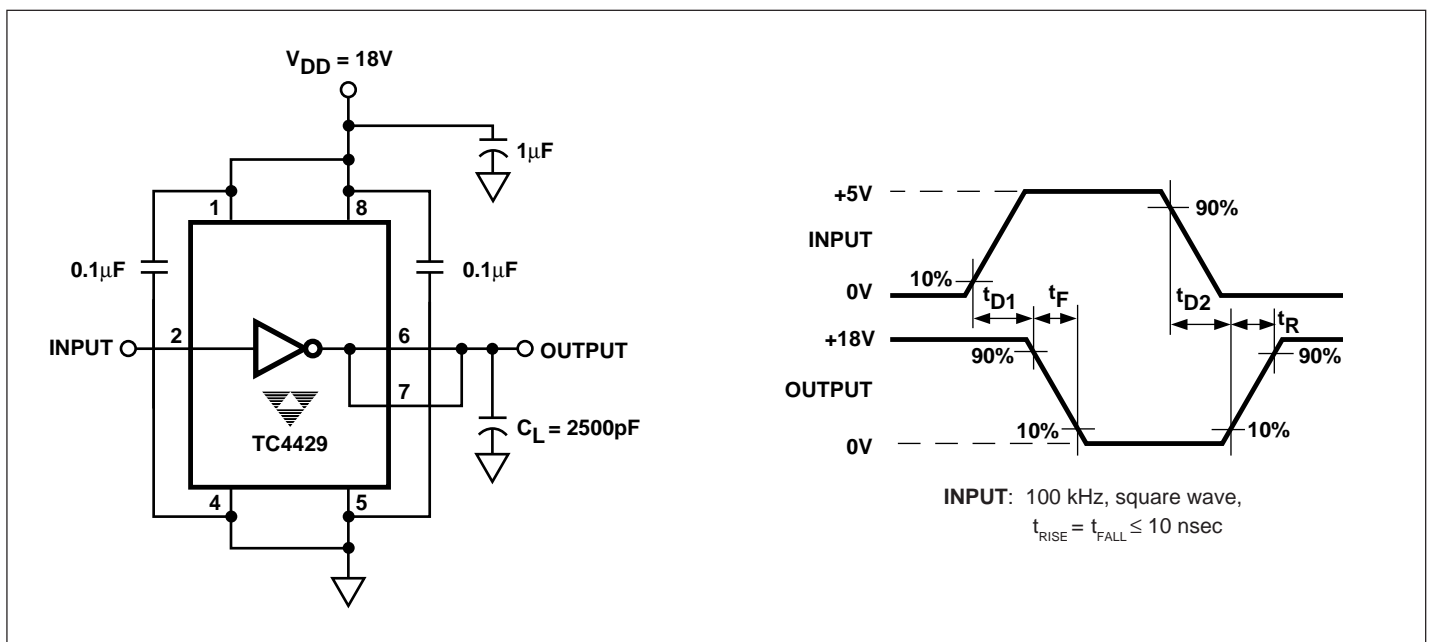
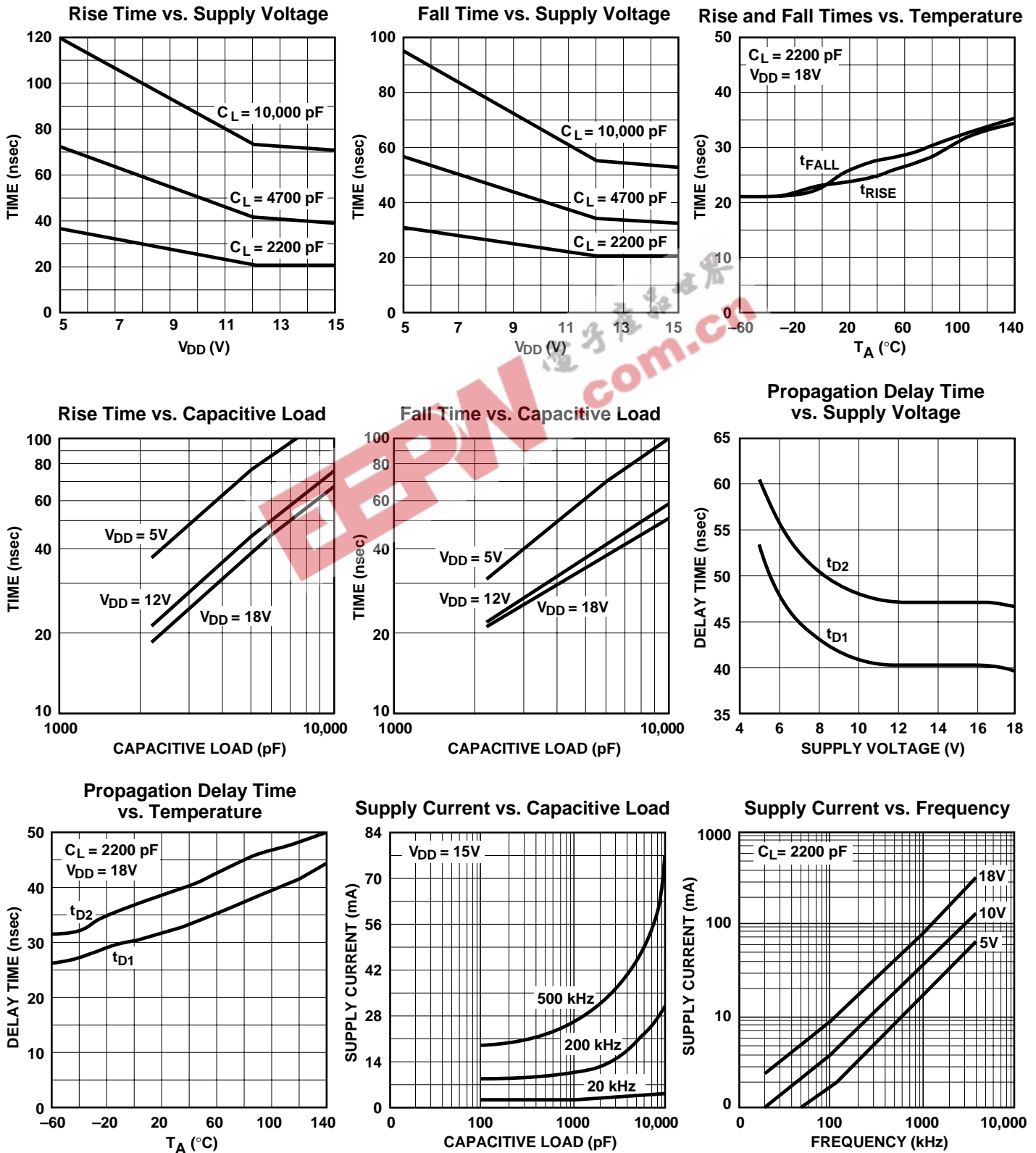


Figure 1. Switching Time Test Circuit

1.5A DUAL OPEN-DRAIN MOSFET DRIVERS

TC4420
TC4429

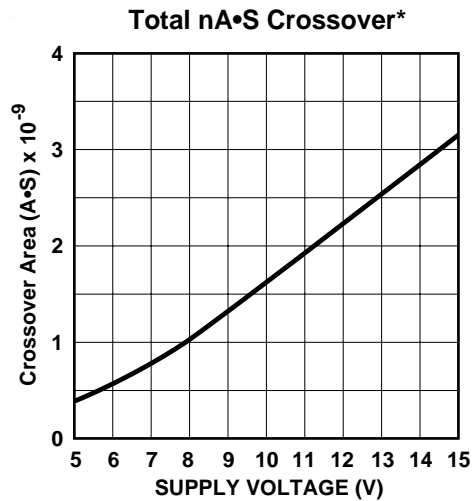
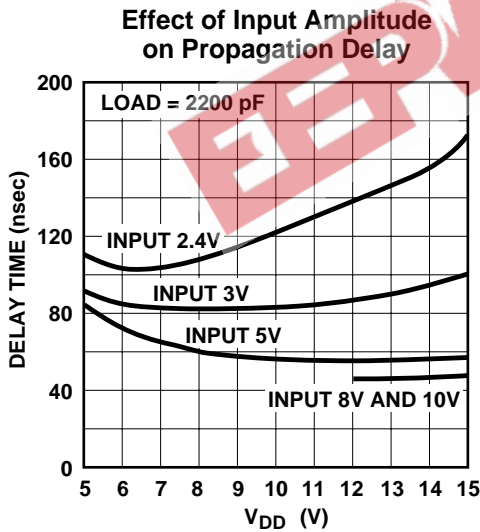
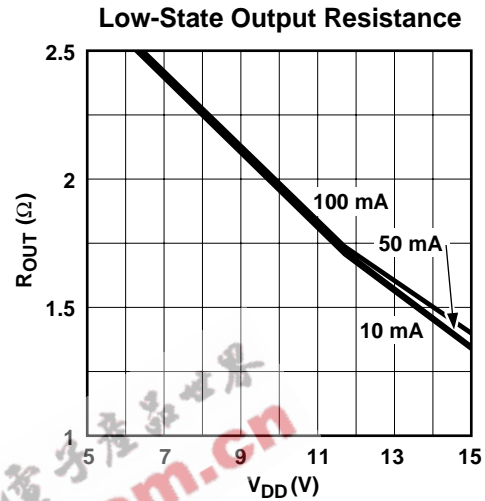
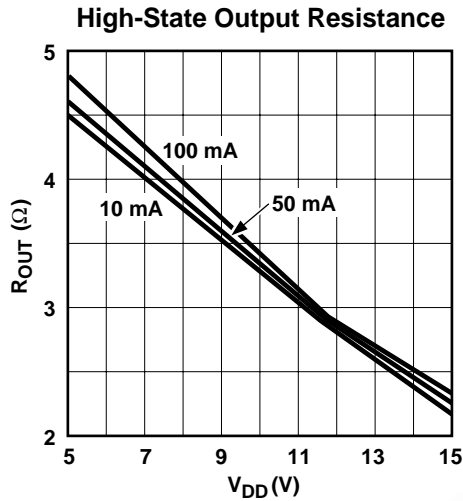
TYPICAL CHARACTERISTICS



1.5A DUAL OPEN-DRAIN MOSFET DRIVERS

TC4420
TC4429

TYPICAL CHARACTERISTICS (Cont.)



* The values on this graph represent the loss seen by the driver during one complete cycle. For a single transition, divide the value by 2.