



# TIP32C

## PNP EPITAXIAL SILICON TRANSISTOR

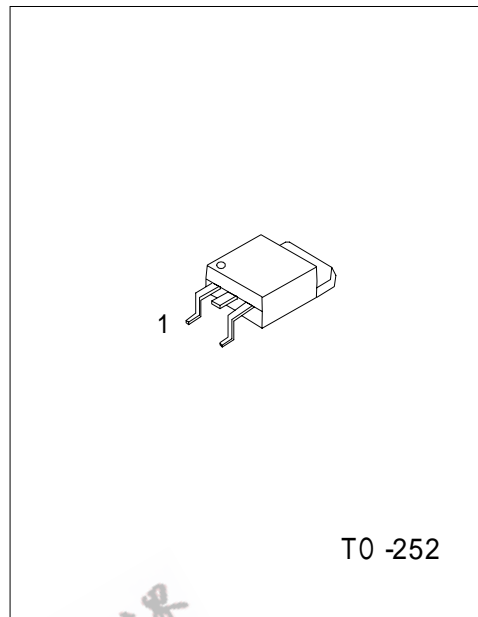
### PNP EXPITAXIAL PLANAR TRANSISTOR

■ DESCRIPTION

The UTC TIP32C is a PNP epitaxial planar transistor, designed for using in general purpose amplifier and switching applications.

■ FEATURES

\*Complement to TIP31C



\*Pb-free plating product number: TIP32CL

■ PIN CONFIGURATION

PIN NO.	PIN NAME
1	BASE
2	COLLECTOR
3	EMITTER

■ ORDERING INFORMATION

Order Number		Package	Packing
Normal	Lead free		
TIP32C-TN3-R	TIP32CL-TN3-R	TO-252	Tape Reel
TIP32C-TN3-T	TIP32CL-TN3-T	TO-252	Tube

# TIP32C

## PNP EPITAXIAL SILICON TRANSISTOR

### ■ ABSOLUTE MAXIMUM RATINGS (Ta = 25 )

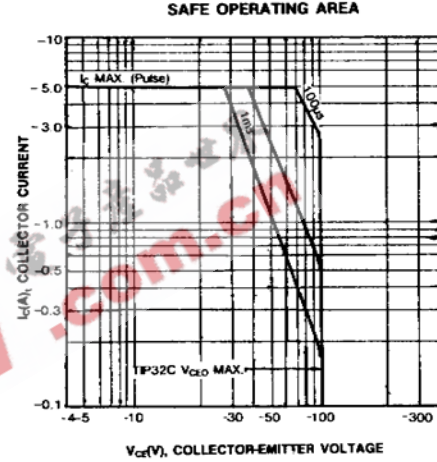
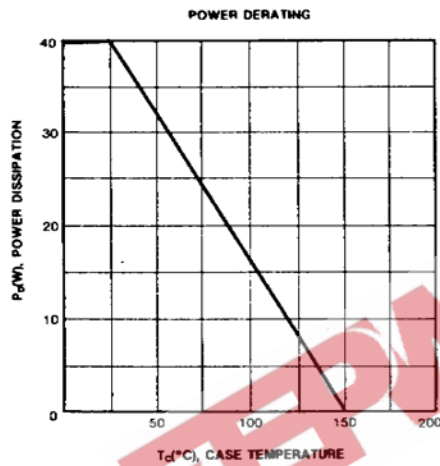
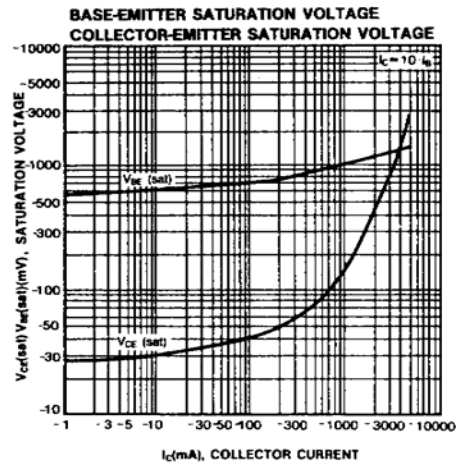
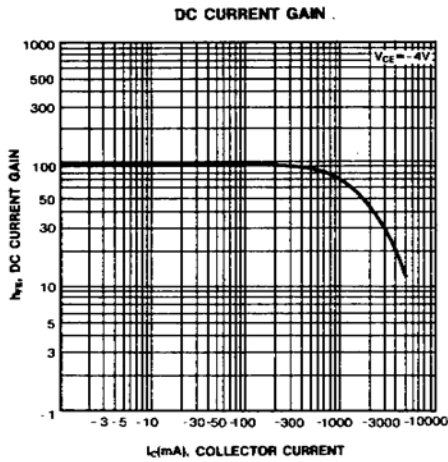
PARAMETER	SYMBOL	RATINGS	UNIT
Collector-Base Voltage	V <sub>CBO</sub>	-100	V
Emitter-Base Voltage	V <sub>EBO</sub>	-5	V
Collector Current	DC	I <sub>C</sub>	-3
	PULSE	I <sub>CM</sub>	-5
Base Current	I <sub>B</sub>	-1	A
Power Dissipation	P <sub>D</sub>	T <sub>C</sub> =25	40
		T <sub>a</sub> =25	2
Junction Temperature	T <sub>J</sub>	+150	
Storage Temperature	T <sub>STG</sub>	-40 ~ +150	

### ■ ELECTRICAL CHARACTERISTICS (Ta= 25 , unless otherwise specified.)

PARAMETER	SYMBOL	TEST CONDITIONS	MIN	TYP	MAX	UNIT
Collector Emitter Sustaining Voltage*	BV <sub>CEO</sub>	I <sub>C</sub> =-30mA, I <sub>B</sub> =0	-100			V
Collector Cutoff Current	I <sub>CES</sub>	V <sub>CE</sub> =-100V, V <sub>BE</sub> =0			-200	μA
Collector Cutoff Current	I <sub>CEO</sub>	V <sub>CE</sub> =-60V, I <sub>B</sub> =0			-0.3	mA
Emitter Cutoff current	I <sub>EBO</sub>	V <sub>BE</sub> =-5V, I <sub>C</sub> =0			-1	mA
Collector-Emitter Saturation Voltage*	V <sub>CE(sat)</sub>	I <sub>C</sub> =-3A, I <sub>B</sub> =-375mA			-1.2	V
Base-Emitter On Voltage*	V <sub>BE(on)</sub>	I <sub>C</sub> =-3A, V <sub>CE</sub> =-4A			-1.8	V
DC Current Gain*	h <sub>FE</sub>	I <sub>C</sub> =-1A, V <sub>CE</sub> =-4V	25			
		I <sub>C</sub> =-3A, V <sub>CE</sub> =-4V	10		50	
Current Gain Bandwidth Product	f <sub>T</sub>	I <sub>C</sub> =-0.5A, V <sub>CE</sub> =-10V, f=1MHz	3			MHz

\*Pulse Test: PW<=300μs, Duty Cycle<=2%

## TYPICAL CHARACTERISTICS



UTC assumes no responsibility for equipment failures that result from using products at values that exceed, even momentarily, rated values (such as maximum ratings, operating condition ranges, or other parameters) listed in products specifications of any and all UTC products described or contained herein. UTC products are not designed for use in life support appliances, devices or systems where malfunction of these products can be reasonably expected to result in personal injury. Reproduction in whole or in part is prohibited without the prior written consent of the copyright owner. The information presented in this document does not form part of any quotation or contract, is believed to be accurate and reliable and may be changed without notice.