

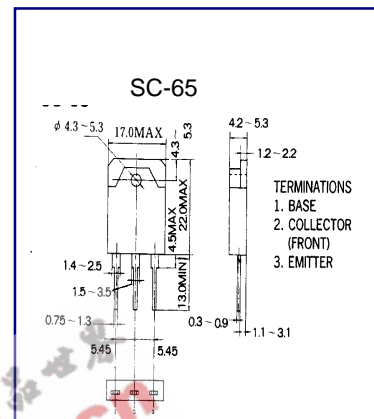


# TIP137 PNP SILICON DARLINGTON TRANSISTOR

SWITCHING REGULATORS PWM INVERTERS  
SOLENOID AND RELAY DRIVERS

## ABSOLUTE MAXIMUM RATINGS ( $T_A=25^\circ\text{C}$ )

Characteristic	Symbol	Rating	Unit
Collector-Base Voltage	VCBO	-100	V
Collector-Emitter Voltage	VCEO	-100	V
Collector Current (DC)	IC	-5	A
Collector Dissipation ( $T_c=25^\circ\text{C}$ )	PC	70	W
Junction Temperature	Tj	150	$^\circ\text{C}$
Storage Temperature	Tstg	-50~150	$^\circ\text{C}$



## ELECTRICAL CHARACTERISTICS ( $T_A=25^\circ\text{C}$ )

Characteristic	Symbol	Test Condition	Min	Typ	Max	Unit
Collector Cutoff Current	ICBO	V <sub>CB</sub> = -100V, I <sub>E</sub> =0			-10	$\mu\text{A}$
Collector Cutoff Current	ICEO	V <sub>CB</sub> = -100V, I <sub>B</sub> =0			-10	$\mu\text{A}$
DC Current Gain	hFE	V <sub>CE</sub> = -5V, I <sub>C</sub> =-4A	1000			
Collector- Emitter Saturation Voltage	V <sub>CE(sat)</sub>	I <sub>C</sub> =0.5A, I <sub>B</sub> =0.001A			-1.0	V