

DATA SHEET

EEPW 电子产品世界
.com.cn

TDA3617 Multiple voltage regulator

Preliminary specification
File under Integrated Circuits, IC01

1999 Jul 14

Multiple voltage regulator

TDA3617

FEATURES

General

- Three V_P -state controlled regulators (regulators 1, 2 and 3)
- Very good stability and noise behaviour
- Separate control pins for switching regulators 1, 2 and 3
- Supply voltage range from -18 to $+50$ V
- Low quiescent current (when regulators 1, 2 and 3 are switched off)
- High ripple rejection
- Hold output for indicating regulator 1 and/or 2 and/or 3 out of regulation.

Protections

- Reverse polarity safe (down to -18 V without high reverse current)
- Able to withstand voltages up to 18 V at the outputs (supply line may be short circuited)
- ESD protection on all pins

- Thermal protection
- Load dump protection
- Foldback current limit protection for regulators 1, 2 and 3
- DC short-circuit safe to ground and V_P for all regulator outputs.

GENERAL DESCRIPTION

The TDA3617J is a multiple output voltage regulator with three independent regulators. It contains:

1. Three fixed voltage regulators with foldback current protection (regulators 1, 2 and 3)
2. A supply pin that can withstand load dump pulses and negative supply voltages
3. Independent enable inputs for regulators 1, 2 and 3
4. Local temperature protection for regulator 3
5. A hold output that can be used to interface with a microprocessor. The hold indicates that the selected output voltages are available and within their ranges.

QUICK REFERENCE DATA

SYMBOL	PARAMETER	CONDITIONS	MIN.	TYP.	MAX.	UNIT
Supply						
V_P	supply voltage		9.5	14.4	17.5	V
	operating					
	jump start	$t \leq 10$ minutes	–	–	30	V
	load dump protection	for 50 ms; $t_r \geq 2.5$ ms	–	–	50	V
$I_{q(\text{tot})}$	total quiescent current	standby mode	–	5	40	μA
T_j	junction temperature		–	–	175	$^{\circ}\text{C}$
Voltage regulators						
V_{REG1}	output voltage regulator 1	$1 \text{ mA} \leq I_{\text{REG1}} \leq 1.3 \text{ A}$	8.55	9.0	9.45	V
V_{REG2}	output voltage regulator 2	$1 \text{ mA} \leq I_{\text{REG2}} \leq 600 \text{ mA}$; $V_P = 14.4 \text{ V}$	4.75	5.0	5.25	V
V_{REG3}	output voltage regulator 3	$1 \text{ mA} \leq I_{\text{REG3}} \leq 300 \text{ mA}$	3.14	3.3	3.46	V

ORDERING INFORMATION

TYPE NUMBER	PACKAGE		
	NAME	DESCRIPTION	VERSION
TDA3617J	DBS9P	plastic DIL-bent-SIL power package; 9 leads (lead length 7.7 mm)	SOT157-4

Multiple voltage regulator

TDA3617

BLOCK DIAGRAM

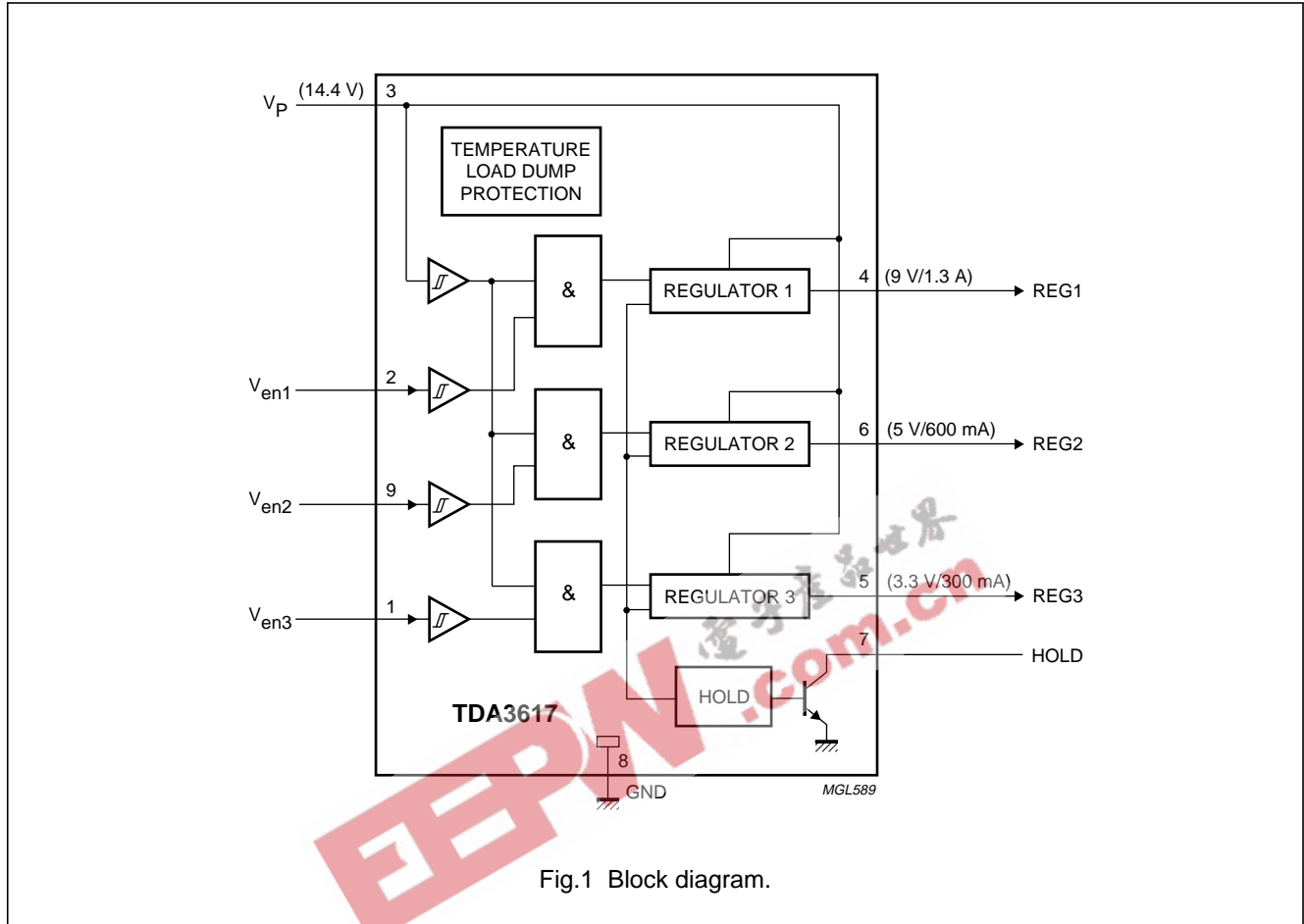


Fig.1 Block diagram.

PINNING

SYMBOL	PIN	DESCRIPTION
V _{en3}	1	enable input regulator 3
V _{en1}	2	enable input regulator 1
V _p	3	supply voltage
REG1	4	regulator 1 output
REG3	5	regulator 3 output
REG2	6	regulator 2 output
HOLD	7	hold output
GND	8	ground
V _{en2}	9	enable input regulator 2

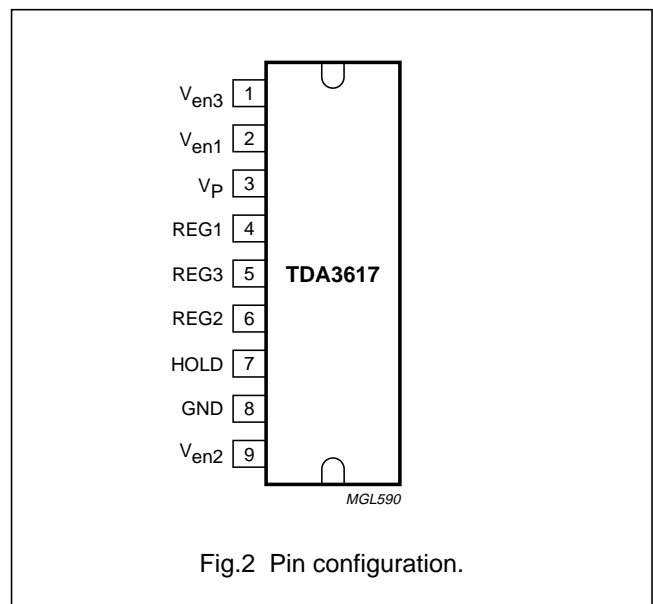


Fig.2 Pin configuration.

Multiple voltage regulator

TDA3617

FUNCTIONAL DESCRIPTION

The TDA3617J is a multiple output voltage regulator with three independent switchable regulators. When the supply voltage ($V_P > 4.5\text{ V}$) is available, regulators 1, 2 and 3 can be operated by means of three independent enable inputs.

Schmitt trigger functions are included to switch the regulators off at low battery voltage ($V_P < 4\text{ V}$). A hysteresis is included to avoid random switching.

All output pins are fully protected. The regulators are protected against load dump (the regulators switch off at supply voltages higher than 20 V) and short circuit (foldback current protection).

The TDA3617J has a hold circuit which indicates when one of the regulators is out-of-regulation. The hold function is disabled when all the enable inputs are LOW (TDA3617J in standby mode). The HOLD output (open collector output) can be wired OR-ed with other hold outputs of other regulator parts (e.g. TDA3618). When all the regulators of the TDA3617J are disabled (switched off), the HOLD output will be high ohmic. Because of this feature, the hold will not influence the hold information when wired OR-ed with other regulator parts.

Figure 3 shows the total timing of a semi-on/off logic set. Figure 4 shows the total timing of the HOLD signal.

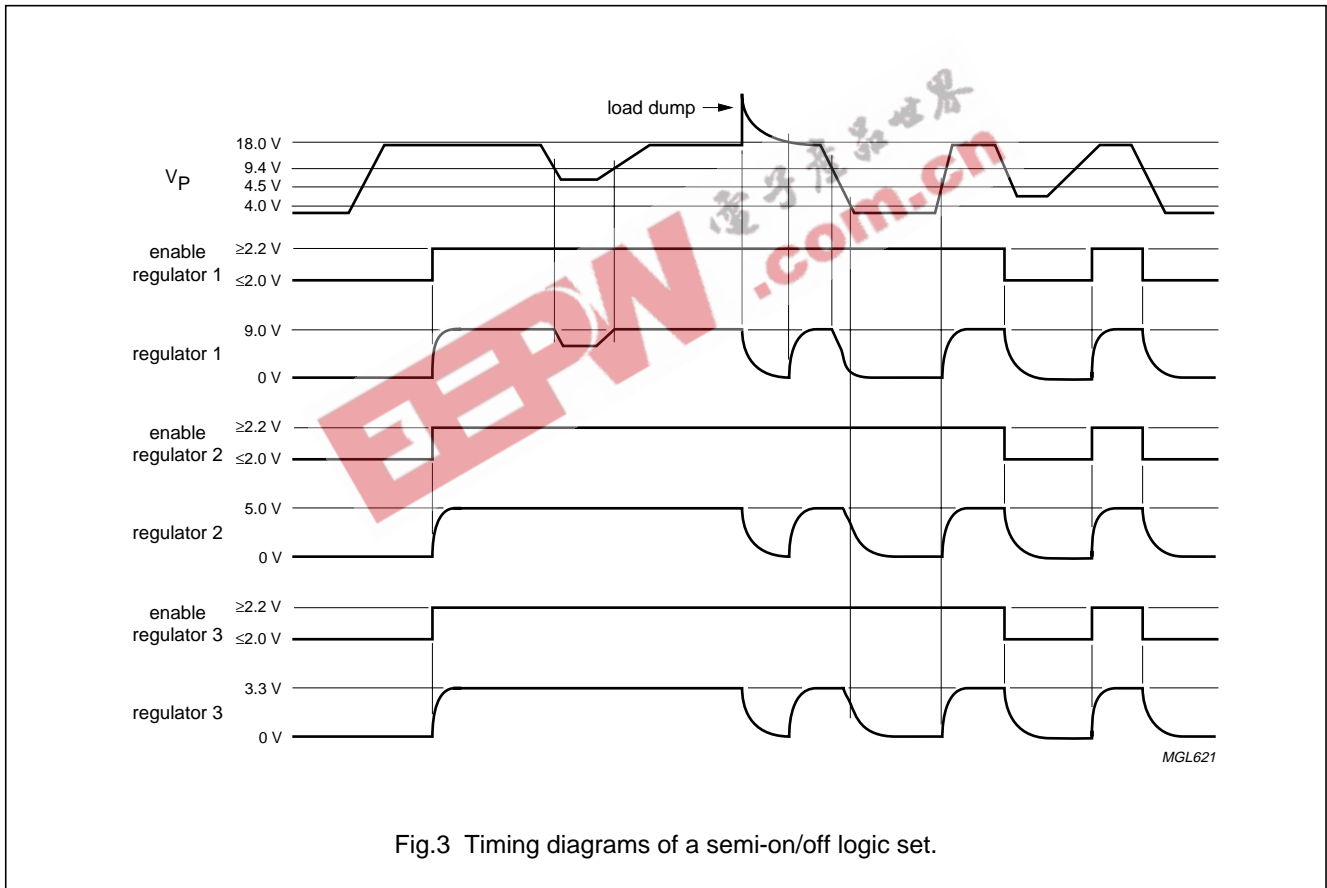


Fig.3 Timing diagrams of a semi-on/off logic set.

Multiple voltage regulator

TDA3617

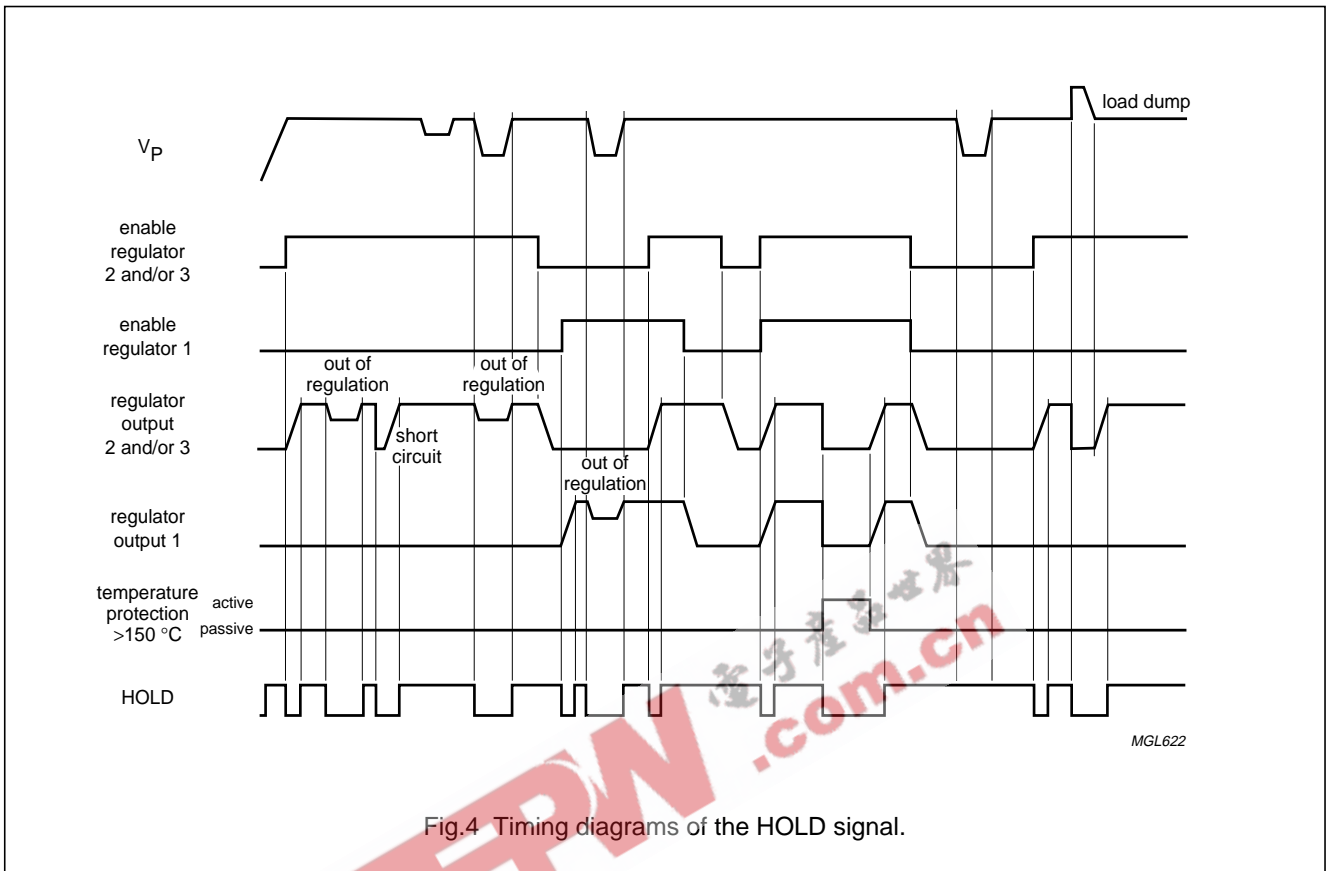


Fig.4 Timing diagrams of the HOLD signal.

LIMITING VALUES

In accordance with the Absolute Maximum Rating System (IEC 134).

SYMBOL	PARAMETER	CONDITIONS	MIN.	MAX.	UNIT
V _P	supply voltage		–	17.5	V
	operating		–	30	V
	jump start	t ≤ 10 minutes	–	50	V
	load dump protection	for 50 ms; t _r ≥ 2.5 ms	–	–	V
V _{bat(rp)}	reverse polarity battery voltage	non-operating	–	–18	V
P _{tot}	total power dissipation		–	62	W
T _{stg}	storage temperature	non-operating	–55	+150	°C
T _{amb}	ambient temperature	operating	–40	+85	°C
T _j	junction temperature	operating	–	175	°C

Multiple voltage regulator

TDA3617

THERMAL CHARACTERISTICS

SYMBOL	PARAMETER	CONDITIONS	VALUE	UNIT
$R_{th(j-c)}$	thermal resistance from junction to case	regulator and switch-on	2	K/W
$R_{th(j-a)}$	thermal resistance from junction to ambient	in free air	50	K/W

QUALITY SPECIFICATION

In accordance with "SNW-FQ-611-E". The number of the quality specification can be found in the "Quality Reference Handbook".

CHARACTERISTICS

$V_P = 14.4\text{ V}$; $T_{amb} = 25\text{ °C}$; measured in test circuit of Fig.6; unless otherwise specified.

SYMBOL	PARAMETER	CONDITIONS	MIN.	TYP.	MAX.	UNIT
Supplies						
V_P	supply voltage		9.5	14.4	17.5	V
	operating		6	14.4	17.5	V
	REGn on	note 1				
	jump start	$t \leq 10\text{ minutes}$	–	–	30	V
	load dump protection	for 50 ms; $t_r \geq 2.5\text{ ms}$	–	–	50	V
I_q	quiescent current	$V_P = 12.4\text{ V}$; note 2	–	5	40	μA
		$V_P = 14.4\text{ V}$; note 2	–	5	–	μA
Power supply Schmitt trigger for regulators 1, 2 and 3						
V_{thr}	rising voltage threshold	$V_{en} = 3\text{ V}$	6.2	6.8	7.5	V
V_{thf}	falling voltage threshold	$V_{en} = 3\text{ V}$	4.0	4.5	5.0	V
V_{hys}	hysteresis		1.5	2.3	3.0	V
Enable input (regulators 1, 2 and 3)						
$V_{i(off)}$	off-level input voltage		–0.2		+1.2	V
$V_{i(on)}$	on-level input voltage		–	1.8	–	V
I_{LI}	input leakage current	$V_{en} = 5\text{ V}$	5	30	50	μA
Hold buffer						
I_{sinkL}	LOW-level sink current	$V_{HOLD} \leq 0.8\text{ V}$	2	–	–	mA
I_{LO}	output leakage current	$V_{HOLD} = 5\text{ V}$	–	0	5	μA

Multiple voltage regulator

TDA3617

SYMBOL	PARAMETER	CONDITIONS	MIN.	TYP.	MAX.	UNIT
Regulator 1 ($I_{REG1} = 5 \text{ mA}$)						
$V_{REG1(off)}$	output voltage off		–	1	400	mV
V_{REG1}	output voltage	$1 \text{ mA} \leq I_{REG1} \leq 1.3 \text{ A}$	8.55	9.0	9.45	V
		$10.5 \text{ V} \leq V_P \leq 17.5 \text{ V}$	8.55	9.0	9.45	V
ΔV_{REG1}	line regulation	$10.5 \text{ V} \leq V_P \leq 17.5 \text{ V}$	–	20	50	mV
ΔV_{REGL1}	load regulation	$1 \text{ mA} \leq I_{REG1} \leq 1.3 \text{ A}$	–	35	70	mV
I_{qREG1}	quiescent current	$I_{REG1} = 1.3 \text{ A}$	–	45	110	mA
SVRR1	supply voltage ripple rejection	$f = 3 \text{ kHz}; V_{i(p-p)} = 2 \text{ V}$	60	70	–	dB
V_{REG1d}	drop-out voltage	$I_{REG1} = 1.3 \text{ A}$; note 3	–	0.5	1	V
I_{REG1m}	current limit	$V_{REG1} > 7.5 \text{ V}$; note 4	1.3	1.4	–	A
I_{REG1sc}	short-circuit current	$R_L \leq 0.5 \Omega$; note 5	250	500	–	mA
α_{ct}	cross talk noise	note 6	–	25	150	μV
Schmitt trigger for hold of regulator 1						
V_{thr}	rising threshold voltage of regulator 1	V_P rising	–	$V_{REG1} - 0.15$	$V_{REG1} - 0.075$	V
V_{thf}	falling threshold voltage of regulator 1	V_P falling	8.1	$V_{REG1} - 0.35$	–	V
V_{hys}	hysteresis voltage		0.1	0.2	0.3	V
Regulator 2 ($I_{REG2} = 5 \text{ mA}$)						
$V_{REG2(off)}$	output voltage off		–	1	400	mV
V_{REG2}	output voltage	$0.5 \text{ mA} \leq I_{REG2} \leq 600 \text{ mA}$	4.75	5.0	5.25	V
		$8 \text{ V} \leq V_P \leq 17.5 \text{ V}$	4.75	5.0	5.25	V
ΔV_{REG2}	line regulation	$8 \text{ V} \leq V_P \leq 17.5 \text{ V}$	–	2	50	mV
ΔV_{REGL2}	load regulation	$1 \text{ mA} \leq I_{REG2} \leq 600 \text{ mA}$	–	20	85	mV
I_{qREG2}	quiescent current	$I_{REG2} = 0.4 \text{ A}$	–	10	40	mA
SVRR2	supply voltage ripple rejection	$f = 3 \text{ kHz}; V_{i(p-p)} = 2 \text{ V}$	60	70	–	dB
V_{REG2d}	drop-out voltage	$I_{REG2} = 600 \text{ mA}; V_P = 6 \text{ V}$; note 3	–	1	1.5	V
I_{REG2m}	current limit	$V_{REG2} > 4 \text{ V}$; note 4	0.65	0.8	–	A
I_{REG2sc}	short-circuit current	$R_L \leq 0.5 \Omega$; note 5	100	300	–	mA
α_{ct}	cross talk noise	note 6	–	25	150	μV
Schmitt trigger for hold of regulator 2						
V_{thr}	rising threshold voltage of regulator 2	V_P rising	–	$V_{REG1} - 0.15$	$V_{REG1} - 0.075$	V
V_{thf}	falling threshold voltage of regulator 2	V_P falling	4.3	$V_{REG1} - 0.35$	–	V
V_{hys}	hysteresis voltage		0.1	0.2	0.3	V

Multiple voltage regulator

TDA3617

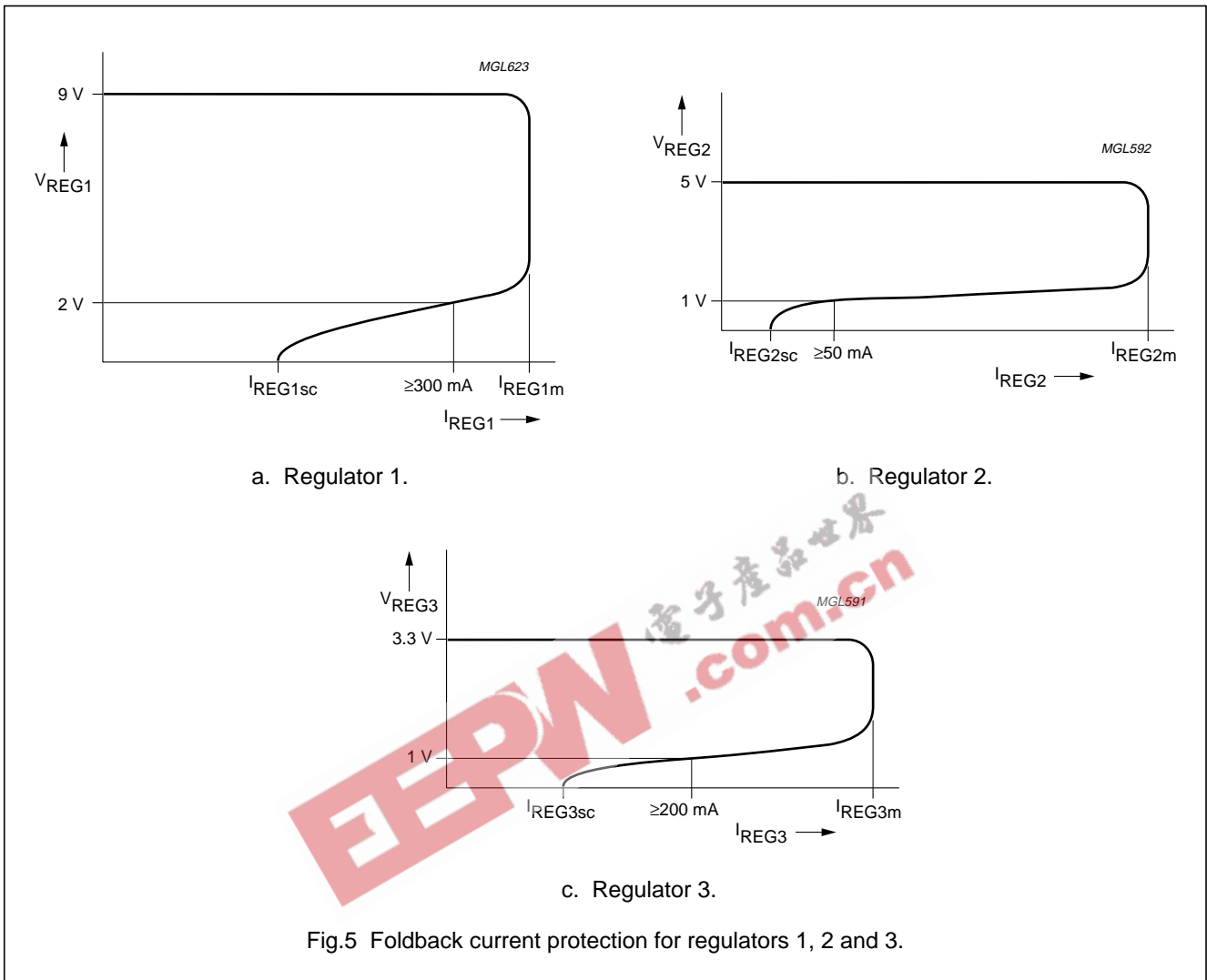
SYMBOL	PARAMETER	CONDITIONS	MIN.	TYP.	MAX.	UNIT
Regulator 3 ($I_{REG3} = 5 \text{ mA}$)						
$V_{REG3(off)}$	output voltage off		–	1	400	mV
V_{REG3}	output voltage	$1 \text{ mA} \leq I_{REG3} \leq 300 \text{ mA}$	3.14	3.3	3.46	V
		$5 \text{ V} \leq V_P \leq 17.5 \text{ V}$	3.14	3.3	3.46	V
ΔV_{REG3}	line regulation	$5 \text{ V} \leq V_P \leq 17.5 \text{ V}$	–	2	50	mV
ΔV_{REGL3}	load regulation	$1 \text{ mA} \leq I_{REG3} \leq 300 \text{ mA}$	–	20	50	mV
I_{qREG3}	quiescent current	$I_{REG3} = 300 \text{ mA}$	–	10	15	mA
SVRR3	supply voltage ripple rejection	$f = 3 \text{ kHz}; V_{i(p-p)} = 2 \text{ V}$	60	70	–	dB
I_{REG3m}	current limit	$V_{REG3} > 3 \text{ V}$; note 4	0.35	0.45	–	A
I_{REG3sc}	short circuit current	$R_L \leq 0.5 \Omega$; note 5	15	50	–	mA
α_{ct}	cross talk noise	note 6	–	25	150	μV
Schmitt trigger for hold of regulator 3						
V_{thr}	rising threshold voltage of regulator 3	V_P rising	–	$V_{REG1} - 0.15$	$V_{REG1} - 0.075$	V
V_{thf}	falling threshold voltage of regulator 2	V_P falling	2.7	$V_{REG1} - 0.35$	–	V
V_{hys}	hysteresis voltage		0.1	0.2	0.3	V

Notes

1. Minimum operating voltage, only if V_P has exceeded 4.5 V.
2. The quiescent current is measured in the standby mode. Therefore, the enable inputs of regulators 1, 2 and 3 are LOW ($V_{en} < 1 \text{ V}$).
3. The drop-out voltage of regulators 1, 2 and 3 is measured between V_P and V_{REGn} .
4. At current limit, I_{REGmn} is held constant (see Fig.5 for the behaviour of I_{REGmn}).
5. The foldback current protection limits the dissipated power at short circuit (see Fig.5).
6. Perform the load regulation test with sine wave load of 10 kHz on the regulator output under test. Measure the RMS ripple voltage on each of the remaining regulator outputs, using a 80 kHz low-pass filter.

Multiple voltage regulator

TDA3617

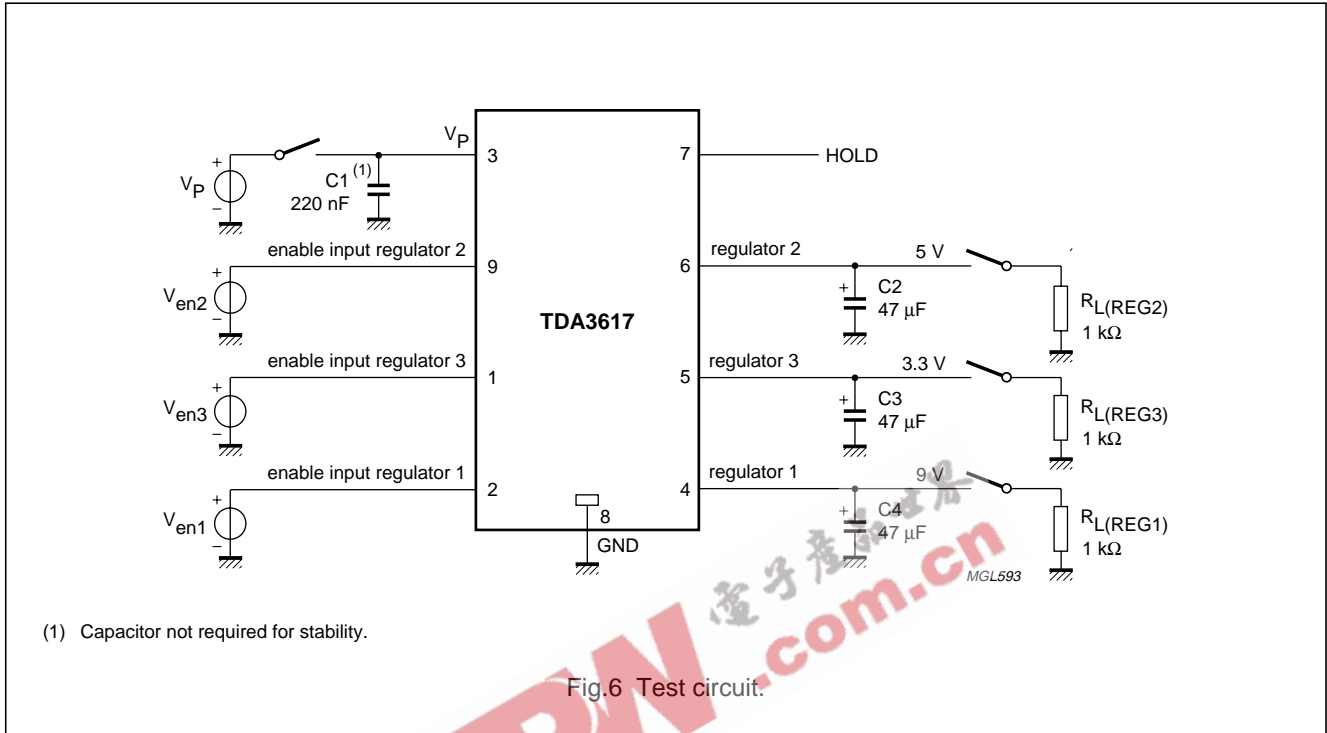


Multiple voltage regulator

TDA3617

TEST AND APPLICATION INFORMATION

Test information



Application information

NOISE

Table 1 Noise figures

REGULATOR	NOISE FIGURE (μV) ⁽¹⁾		
	$C_o = 10 \mu\text{F}$	$C_o = 47 \mu\text{F}$	$C_o = 100 \mu\text{F}$
1	tbf	150	tbf
2	tbf	150	tbf
3	tbf	200	tbf

Note

- 1. Measured at a bandwidth of 200 kHz.

The noise on the supply line depends on the value of the supply capacitor and is caused by a current noise (output noise of the regulators is translated to a current noise by means of the output capacitors). The noise is minimum

when a high frequency capacitor of 220 nF in parallel with an electrolytic capacitor of 100 μF is connected directly to pins 3 and 8 (supply and ground).

STABILITY

The regulators are stabilized with the externally connected output capacitors. The value of the output capacitors can be selected by referring to the graph illustrated in Fig.7.

When an electrolytic capacitor is used, its temperature behaviour can cause oscillations at temperatures lower than $-20 \text{ }^\circ\text{C}$. In this case, use a tantalum capacitor.

The two examples on the next page show how an output capacitor value is selected.

Multiple voltage regulator

TDA3617

Example 1

Regulators 1, 2 and 3 are stabilized with an electrolytic output capacitor of 220 μF (ESR = 0.15 Ω). At $-30\text{ }^\circ\text{C}$, the capacitor value is decreased to 73 μF and the ESR is increased to 1.1 Ω . The regulator will remain stable at $-30\text{ }^\circ\text{C}$.

Example 2

Regulators 1, 2 and 3 are stabilized with an electrolytic output capacitor of 10 μF (ESR = 3.18 Ω). At $-30\text{ }^\circ\text{C}$, the capacitor value is decreased to 3.3 μF and the ESR is increased to 23 Ω . The regulator will be unstable at $-30\text{ }^\circ\text{C}$.

Solution

Use a 47 nF HF capacitor in parallel with the output electrolytic output capacitor. As can be seen from the graph in Fig.7, the regulators will remain stable with an output capacitor of 47 nF onwards. The electrolytic output capacitor is only needed to minimize the output noise.

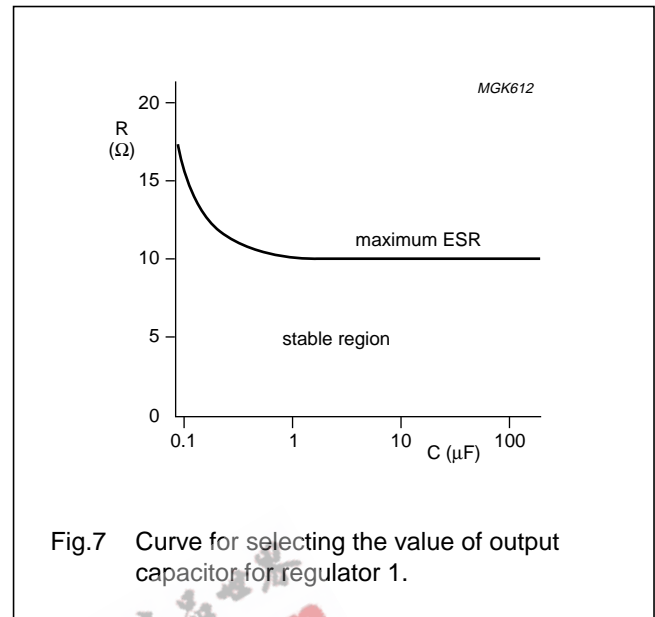


Fig.7 Curve for selecting the value of output capacitor for regulator 1.

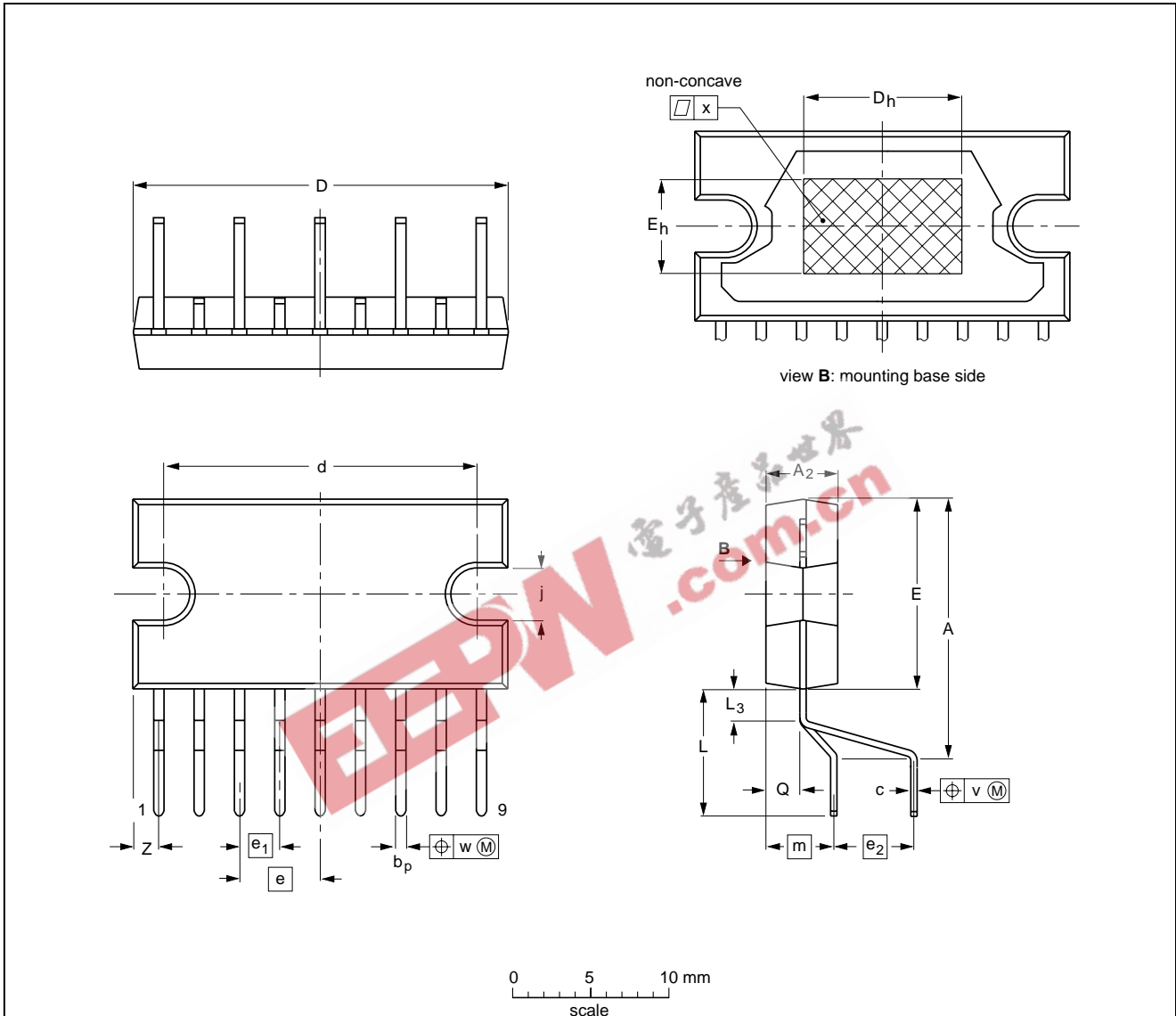
Multiple voltage regulator

TDA3617

PACKAGE OUTLINE

DBS9P: plastic DIL-bent-SIL power package; 9 leads (lead length 7.7 mm)

SOT157-4



DIMENSIONS (mm are the original dimensions)

UNIT	A	A ₂	b _p	c	D ⁽¹⁾	d	D _h	E ⁽¹⁾	e	e ₁	e ₂	E _h	j	L	L ₃	m	Q	v	w	x	Z ⁽¹⁾
mm	17.0 15.5	4.6 4.2	0.75 0.60	0.48 0.38	24.0 23.6	20.0 19.6	10	12.2 11.8	5.08	2.54	5.08	6	3.4 3.1	8.4 7.0	2.4 1.6	4.3	2.1 1.8	0.6	0.25	0.03	2.00 1.45

Note

1. Plastic or metal protrusions of 0.25 mm maximum per side are not included.

OUTLINE VERSION	REFERENCES				EUROPEAN PROJECTION	ISSUE DATE
	IEC	JEDEC	EIAJ			
SOT157-4						95-03-11 97-12-16

Multiple voltage regulator

TDA3617

SOLDERING**Introduction to soldering through-hole mount packages**

This text gives a brief insight to wave, dip and manual soldering. A more in-depth account of soldering ICs can be found in our "Data Handbook IC26; Integrated Circuit Packages" (document order number 9398 652 90011).

Wave soldering is the preferred method for mounting of through-hole mount IC packages on a printed-circuit board.

Soldering by dipping or by solder wave

The maximum permissible temperature of the solder is 260 °C; solder at this temperature must not be in contact with the joints for more than 5 seconds.

The total contact time of successive solder waves must not exceed 5 seconds.

The device may be mounted up to the seating plane, but the temperature of the plastic body must not exceed the specified maximum storage temperature ($T_{stg(max)}$). If the printed-circuit board has been pre-heated, forced cooling may be necessary immediately after soldering to keep the temperature within the permissible limit.

Manual soldering

Apply the soldering iron (24 V or less) to the lead(s) of the package, either below the seating plane or not more than 2 mm above it. If the temperature of the soldering iron bit is less than 300 °C it may remain in contact for up to 10 seconds. If the bit temperature is between 300 and 400 °C, contact may be up to 5 seconds.

Suitability of through-hole mount IC packages for dipping and wave soldering methods

PACKAGE	SOLDERING METHOD	
	DIPPING	WAVE
DBS, DIP, HDIP, SDIP, SIL	suitable	suitable ⁽¹⁾

Note

- For SDIP packages, the longitudinal axis must be parallel to the transport direction of the printed-circuit board.

DEFINITIONS

Data sheet status	
Objective specification	This data sheet contains target or goal specifications for product development.
Preliminary specification	This data sheet contains preliminary data; supplementary data may be published later.
Product specification	This data sheet contains final product specifications.
Limiting values	
Limiting values given are in accordance with the Absolute Maximum Rating System (IEC 134). Stress above one or more of the limiting values may cause permanent damage to the device. These are stress ratings only and operation of the device at these or at any other conditions above those given in the Characteristics sections of the specification is not implied. Exposure to limiting values for extended periods may affect device reliability.	
Application information	
Where application information is given, it is advisory and does not form part of the specification.	

LIFE SUPPORT APPLICATIONS

These products are not designed for use in life support appliances, devices, or systems where malfunction of these products can reasonably be expected to result in personal injury. Philips customers using or selling these products for use in such applications do so at their own risk and agree to fully indemnify Philips for any damages resulting from such improper use or sale.

Multiple voltage regulator

TDA3617

NOTES



Multiple voltage regulator

TDA3617

NOTES



Philips Semiconductors – a worldwide company

Argentina: see South America

Australia: 3 Figtree Drive, HOMEBUSH, NSW 2140,
Tel. +61 2 9704 8141, Fax. +61 2 9704 8139

Austria: Computerstr. 6, A-1101 WIEN, P.O. Box 213,
Tel. +43 1 60 101 1248, Fax. +43 1 60 101 1210

Belarus: Hotel Minsk Business Center, Bld. 3, r. 1211, Volodarski Str. 6,
220050 MINSK, Tel. +375 172 20 0733, Fax. +375 172 20 0773

Belgium: see The Netherlands

Brazil: see South America

Bulgaria: Philips Bulgaria Ltd., Energoproject, 15th floor,
51 James Bourchier Blvd., 1407 SOFIA,
Tel. +359 2 68 9211, Fax. +359 2 68 9102

Canada: PHILIPS SEMICONDUCTORS/COMPONENTS,
Tel. +1 800 234 7381, Fax. +1 800 943 0087

China/Hong Kong: 501 Hong Kong Industrial Technology Centre,
72 Tat Chee Avenue, Kowloon Tong, HONG KONG,
Tel. +852 2319 7888, Fax. +852 2319 7700

Colombia: see South America

Czech Republic: see Austria

Denmark: Sydhavnsgade 23, 1780 COPENHAGEN V,
Tel. +45 33 29 3333, Fax. +45 33 29 3905

Finland: Sinikalliontie 3, FIN-02630 ESPOO,
Tel. +358 9 615 800, Fax. +358 9 6158 0920

France: 51 Rue Carnot, BP317, 92156 SURESNES Cedex,
Tel. +33 1 4099 6161, Fax. +33 1 4099 6427

Germany: Hammerbrookstraße 69, D-20097 HAMBURG,
Tel. +49 40 2353 60, Fax. +49 40 2353 6300

Hungary: see Austria

India: Philips INDIA Ltd, Band Box Building, 2nd floor,
254-D, Dr. Annie Besant Road, Worli, MUMBAI 400 025,
Tel. +91 22 493 8541, Fax. +91 22 493 0966

Indonesia: PT Philips Development Corporation, Semiconductors Division,
Gedung Philips, Jl. Buncit Raya Kav.99-100, JAKARTA 12510,
Tel. +62 21 794 0040 ext. 2501, Fax. +62 21 794 0080

Ireland: Newstead, Clonskeagh, DUBLIN 14,
Tel. +353 1 7640 000, Fax. +353 1 7640 200

Israel: RAPAC Electronics, 7 Kehilat Saloniki St, PO Box 18053,
TEL AVIV 61180, Tel. +972 3 645 0444, Fax. +972 3 649 1007

Italy: PHILIPS SEMICONDUCTORS, Via Casati, 23 - 20052 MONZA (MI),
Tel. +39 039 203 6838, Fax +39 039 203 6800

Japan: Philips Bldg 13-37, Kohnan 2-chome, Minato-ku,
TOKYO 108-8507, Tel. +81 3 3740 5130, Fax. +81 3 3740 5057

Korea: Philips House, 260-199 Itaewon-dong, Yongsan-ku, SEOUL,
Tel. +82 2 709 1412, Fax. +82 2 709 1415

Malaysia: No. 76 Jalan Universiti, 46200 PETALING JAYA, SELANGOR,
Tel. +60 3 750 5214, Fax. +60 3 757 4880

Mexico: 5900 Gateway East, Suite 200, EL PASO, TEXAS 79905,
Tel. +9-5 800 234 7381, Fax +9-5 800 943 0087

Middle East: see Italy

Netherlands: Postbus 90050, 5600 PB EINDHOVEN, Bldg. VB,
Tel. +31 40 27 82785, Fax. +31 40 27 88399

New Zealand: 2 Wagener Place, C.P.O. Box 1041, AUCKLAND,
Tel. +64 9 849 4160, Fax. +64 9 849 7811

Norway: Box 1, Manglerud 0612, OSLO,
Tel. +47 22 74 8000, Fax. +47 22 74 8341

Pakistan: see Singapore

Philippines: Philips Semiconductors Philippines Inc.,
106 Valero St. Salcedo Village, P.O. Box 2108 MCC, MAKATI,
Metro MANILA, Tel. +63 2 816 6380, Fax. +63 2 817 3474

Poland: Ul. Lukiska 10, PL 04-123 WARSZAWA,
Tel. +48 22 612 2831, Fax. +48 22 612 2327

Portugal: see Spain

Romania: see Italy

Russia: Philips Russia, Ul. Usatcheva 35A, 119048 MOSCOW,
Tel. +7 095 755 6918, Fax. +7 095 755 6919

Singapore: Lorong 1, Toa Payoh, SINGAPORE 319762,
Tel. +65 350 2538, Fax. +65 251 6500

Slovakia: see Austria

Slovenia: see Italy

South Africa: S.A. PHILIPS Pty Ltd., 195-215 Main Road Martindale,
2092 JOHANNESBURG, P.O. Box 58088 Newville 2114,
Tel. +27 11 471 5401, Fax. +27 11 471 5398

South America: Al. Vicente Pinzon, 173, 6th floor,
04547-130 SÃO PAULO, SP, Brazil,
Tel. +55 11 821 2333, Fax. +55 11 821 2382

Spain: Balmes 22, 08007 BARCELONA,
Tel. +34 93 301 6312, Fax. +34 93 301 4107

Sweden: Kottbygatan 7, Akalla, S-16485 STOCKHOLM,
Tel. +46 8 5985 2000, Fax. +46 8 5985 2745

Switzerland: Allmendstrasse 140, CH-8027 ZÜRICH,
Tel. +41 1 488 2741 Fax. +41 1 488 3263

Taiwan: Philips Semiconductors, 6F, No. 96, Chien Kuo N. Rd., Sec. 1,
TAIPEI, Taiwan Tel. +886 2 2134 2886, Fax. +886 2 2134 2874

Thailand: PHILIPS ELECTRONICS (THAILAND) Ltd.,
209/2 Sanpavuth-Bangna Road Prakanong, BANGKOK 10260,
Tel. +66 2 745 4090, Fax. +66 2 398 0793

Turkey: Yukari Dudullu, Org. San. Blg., 2.Cad. Nr. 28 81260 Umraniye,
ISTANBUL, Tel. +90 216 522 1500, Fax. +90 216 522 1813

Ukraine: PHILIPS UKRAINE, 4 Patrice Lumumba str., Building B, Floor 7,
252042 KIEV, Tel. +380 44 264 2776, Fax. +380 44 268 0461

United Kingdom: Philips Semiconductors Ltd., 276 Bath Road, Hayes,
MIDDLESEX UB3 5BX, Tel. +44 208 730 5000, Fax. +44 208 754 8421

United States: 811 East Arques Avenue, SUNNYVALE, CA 94088-3409,
Tel. +1 800 234 7381, Fax. +1 800 943 0087

Uruguay: see South America

Vietnam: see Singapore

Yugoslavia: PHILIPS, Trg N. Pasica 5/v, 11000 BEOGRAD,
Tel. +381 11 62 5344, Fax. +381 11 63 5777

For all other countries apply to: Philips Semiconductors,
International Marketing & Sales Communications, Building BE-p, P.O. Box 218,
5600 MD EINDHOVEN, The Netherlands, Fax. +31 40 27 24825

Internet: <http://www.semiconductors.philips.com>

© Philips Electronics N.V. 1999

SCA67

All rights are reserved. Reproduction in whole or in part is prohibited without the prior written consent of the copyright owner.

The information presented in this document does not form part of any quotation or contract, is believed to be accurate and reliable and may be changed without notice. No liability will be accepted by the publisher for any consequence of its use. Publication thereof does not convey nor imply any license under patent- or other industrial or intellectual property rights.

Printed in The Netherlands

545002/01/pp16

Date of release: 1999 Jul 14

Document order number: 9397 750 04839

Let's make things better.

**Philips
Semiconductors**



PHILIPS