

# UTC TDA2611 LINEAR INTEGRATED CIRCUIT

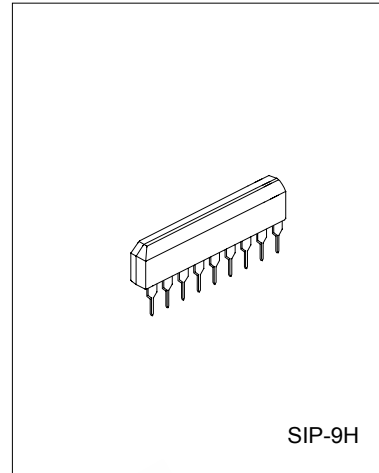
## DUAL EQUALIZER AMPLIFIER WITH ALC

### DESCRIPTION

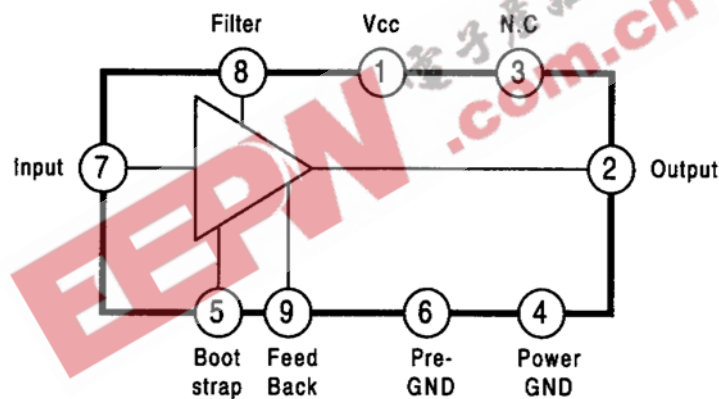
The UTC TDA2611 is a monolithic integrated circuit designed for the TV IF sound power amplifier. It also can be used in audio power amplifier sets.

### FEATURES

- \*Wide operating voltage (6V to 35V)
- \*Few external components
- \*Fixed Closed Loop Gain
- \*High input impedance
- \*Built-in Thermal protection circuit
- \*Fine ripple rejection characteristic



### BLOCK DIAGRAM



### ABSOLUTE MAXIMUM RATINGS (Ta=25°C)

PARAMETER	SYMBOL	VALUE	UNIT
Supply Voltage	Vcc	35	V
Pulse Peak Output Current	Ios	3	A
Peak Output Current (continuously)	Ior	1.5	A
Operating Temperature	Topr	-25 to + 150	°C
Storage Temperature	Tstg	-55 to + 150	°C

# UTC TDA2611 LINEAR INTEGRATED CIRCUIT

ELECTRICAL CHARACTERISTICS ( $T_a=25^\circ\text{C}$ ,  $V_{cc}=18\text{V}$ ,  $R_L=8\Omega$ ,  $f=1\text{KHZ}$ , unless otherwise specified)

PARAMETER	SYMBOL	TEST CONDITIONS	MIN	TYP	MAX	UNIT
Output Power	$P_o$	$V_{cc}=18\text{V}, R_L=8\Omega, \text{THD}=10\%$	4	4.5		W
		$V_{cc}=12\text{V}, R_L=8\Omega, \text{THD}=10\%$		1.7		
		$V_{cc}=8.3\text{V}, R_L=8\Omega, \text{THD}=10\%$		0.65		
		$V_{cc}=20\text{V}, R_L=15\Omega, \text{THD}=10\%$		6		
		$V_{cc}=25\text{V}, R_L=8\Omega, \text{THD}=10\%$		5		
Total Harmonic Distortion	THD	$P_o=2\text{W}$			1	%
Bandwidth	BW		15			kHz
Noise Output Voltage	$V_{no}$	$R_g=5\text{k}\Omega, 60\text{Hz} \sim 15\text{kHz}$		0.2	0.5	mV
Input Impedance	$R_i$			45		$\text{k}\Omega$
Input Sensitivity	$V_{is}$	$P_o=2.5\text{W}$	44	55	66	mV
Quiescent Circuit Current	$I_{cc}$	No Input Signal		25		mA

## TEST CIRCUIT

