

# DATA SHEET



EEPW 电子产品世界  
.com.cn

## **TEA6840H** New In Car Entertainment (NICE) car radio

Preliminary specification  
File under Integrated Circuits, IC01

1999 Jul 12

## New In Car Entertainment (NICE) car radio

## TEA6840H



## FEATURES

- FM mixer for conversion of FM RF from 65 to 108 MHz to IF of 10.7 MHz; the mixer provides inherent image rejection
- FM RF mixer can be set to receive weather band radio up to 162.55 MHz; weather band radio flag output
- AM mixer 1 for conversion of AM RF to AM IF1 10.7 MHz
- LC tuner oscillator providing mixer frequencies for FM mixer and AM mixer 1
- AM mixer 2 for conversion of AM IF1 to AM IF2 450 kHz
- Crystal oscillator providing mixer frequencies for AM mixer 2 and reference for synthesizer PLL, IF count, timing for Radio Data System (RDS) update and reference frequency for car audio signal processor IC
- Fast synthesizer PLL tuning system with local control for inaudible RDS updating
- Timing function for RDS update algorithm and control signal output for car audio signal processor ICs (TEA688x, SAA77xx)
- Digital alignment circuit for conversion of LC oscillator tuning voltage to controlled alignment voltage of FM antenna tank circuit
- AGC pin diode drive circuit for FM RF AGC; AGC detection at FM mixer input; the AGC pin diode drive can be activated by the I<sup>2</sup>C-bus as a local/distance function; AGC threshold is a programmable and keyed function switchable via the I<sup>2</sup>C-bus
- FM IF linear amplifiers with high dynamic input range
- FM quadrature demodulator with automatic centre frequency adjustment and Total Harmonic Distortion (THD) compensation
- Level detector for AM and FM with temperature compensated output voltage; starting point and slope of level output is programmable via the I<sup>2</sup>C-bus
- AM RF pin diode drive circuit; AGC threshold detection at AM mixer 1 and IF2 AGC input; threshold is programmable via the I<sup>2</sup>C-bus; AM IF2 AGC and demodulator
- AM AF output switchable to provide AM IF2 for AM stereo decoder
- AM noise blanker with blanking at AM IF2
- Several test modes available for fast IC and system tests.

## GENERAL DESCRIPTION

The TEA6840H is a single chip car radio tuner for AM and FM intended for microcontroller tuning with the I<sup>2</sup>C-bus providing the following functions:

- AM double conversion receiver for LW/MW/SW (31 m, 41 m and 49 m bands) with IF1 = 10.7 MHz and IF2 = 450 kHz
- FM single conversion receiver with integrated image rejection for IF = 10.7 MHz capable of selecting US FM, US weather, Europe FM, East Europe FM and Japan FM bands.

## ORDERING INFORMATION

TYPE NUMBER	PACKAGE		
	NAME	DESCRIPTION	VERSION
TEA6840H	QFP64	plastic quad flat package; 64 leads (lead length 1.95 mm); body 14 × 20 × 2.8 mm	SOT319-2

## New In Car Entertainment (NICE) car radio

## TEA6840H

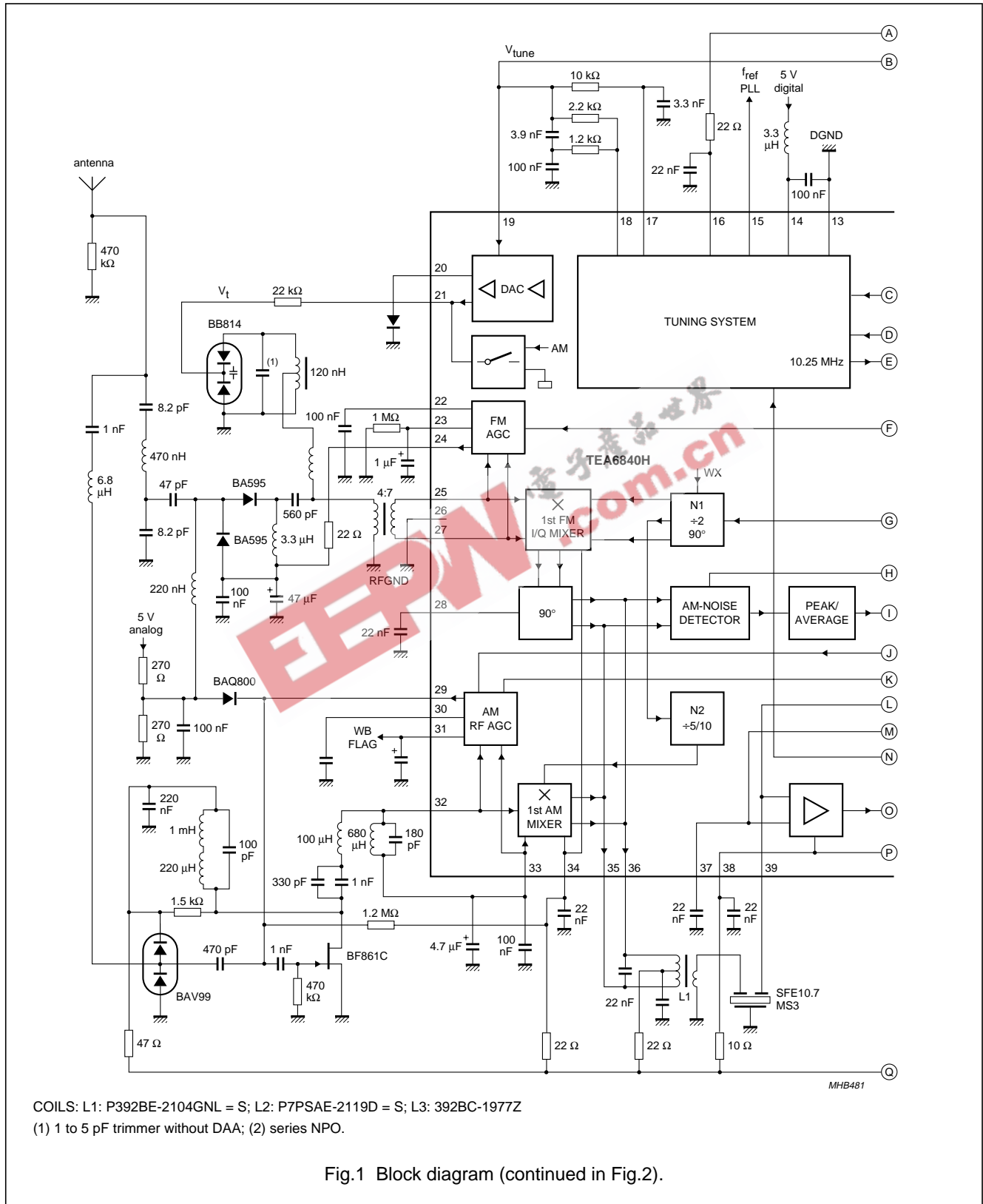
## QUICK REFERENCE DATA

SYMBOL	PARAMETER	CONDITIONS	MIN.	TYP.	MAX.	UNIT
V <sub>DDA1</sub>	analog supply voltage 1		8	8.5	9	V
I <sub>DDA1</sub>	analog supply current 1	FM mode	45	56	67	mA
		AM mode	39	49	59	mA
V <sub>DDA2</sub>	analog supply voltage 2		4.75	5	5.25	V
I <sub>DDA2</sub>	analog supply current 2	FM mode	6.5	8.1	9.8	mA
		AM mode	4.7	5.9	7.1	mA
V <sub>DDD</sub>	digital supply voltage		4.75	5	5.25	V
I <sub>DDD</sub>	digital supply current	FM mode	18	23	28	mA
		AM mode	18	23	28	mA
f <sub>AM(ant)</sub>	AM input frequency	LW	0.144	–	0.288	MHz
		MW	0.522	–	1.710	MHz
		SW	5.85	–	9.99	MHz
f <sub>FM(ant)</sub>	FM input frequency		65	–	108	MHz
f <sub>FM(WB)(ant)</sub>	FM weather band input frequency		162.4	–	162.55	MHz
T <sub>amb</sub>	operating ambient temperature		–40	–	+85	°C
<b>AM overall system parameters (1 × SFE10.7; 1 × SFR450H)</b>						
S+N/N	signal plus noise-to-noise ratio	m = 0.3	–	58	–	dB
THD	total harmonic distortion	m = 0.8	–	0.3	–	%
		m = 0.9	–	0.5	–	%
<b>FM overall system parameters (3 × SFE10.7MS3)</b>						
S+N/N	signal plus noise-to-noise ratio	Δf = 22.5 kHz; de-emphasis = 50 μs	–	65	–	dB
THD	total harmonic distortion	Δf = 75 kHz	–	0.6	1	%

New In Car Entertainment (NICE) car radio

TEA6840H

BLOCK DIAGRAM



New In Car Entertainment (NICE) car radio

TEA6840H

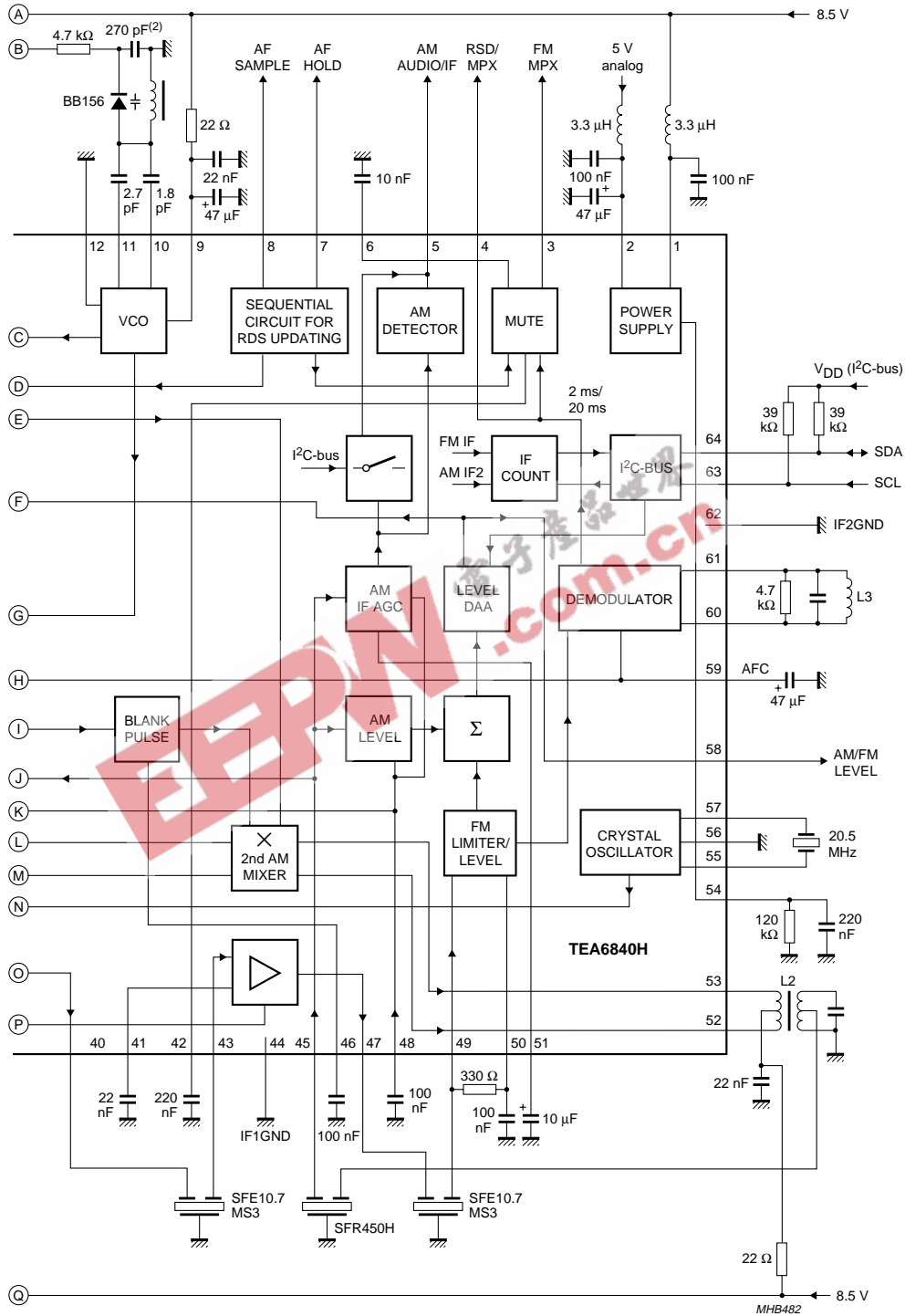


Fig.2 Block diagram (continued from Fig.1).

## New In Car Entertainment (NICE) car radio

TEA6840H

## PINNING

SYMBOL	PIN	DESCRIPTION
V <sub>DDA1</sub>	1	analog supply voltage 1 (8.5 V) for on-chip power supply
V <sub>DDA2</sub>	2	analog supply voltage 2 (5 V) for on-chip power supply
FMMPX	3	FM demodulator MPX output
RDSMPX	4	MPX for RDS decoder and signal processor (not muted)
AMAFIF2	5	AM demodulator AF output or IF2 for AM stereo (multiplexed by I <sup>2</sup> C-bus)
TRDSMUTE	6	time constant for RDS update mute
AFHOLD	7	AF hold flag output for car audio signal processor IC
AFSAMPLE	8	AF sample flag output for car audio signal processor IC
V <sub>DDA3</sub>	9	analog supply voltage 3 (8.5 V) for VCO
OSCTNK	10	VCO tank circuit
OSCFDB	11	VCO feedback
VCOGND	12	VCO ground
DGND	13	digital ground
V <sub>DDD</sub>	14	digital supply voltage (5 V)
f <sub>ref</sub>	15	reference frequency output for signal processor IC
V <sub>DDA4</sub>	16	analog supply voltage 4 (8.5 V) for tuning PLL
CPOUT	17	charge pump output
V <sub>tune</sub>	18	tuning voltage
DAAIN	19	input of digital alignment circuit for antenna tank circuit
DAATD	20	temperature compensation diode for digital alignment circuit of antenna tank circuit
DAAOUT	21	output of digital alignment circuit for antenna tank circuit
T1FMAGC	22	1st time constant of FM front-end AGC
T2FMAGC	23	2nd time constant of FM front-end AGC
IFMAGC	24	pin diode drive current output of FM front-end AGC
FMMIXIN1	25	input 1 of FM RF mixer
RFGND	26	RF ground
FMMIXIN2	27	input 2 of FM RF mixer
V <sub>ref(FMMIX1)</sub>	28	reference voltage for FM mixer
IAMAGC	29	pin diode drive current output of AM front-end AGC
T2AMAGC	30	2nd time constant of AM front-end AGC
T1AMAGC	31	1st time constant output of AM front-end AGC
AMMIX1IN1	32	1st AM mixer input 1
AMMIX1IN2	33	1st AM mixer input 2
V <sub>DDA5</sub>	34	analog supply voltage 5 (8.5 V) for FM and AM RF
MIX1OUT1	35	1st AM/FM mixer IF (10.7 MHz) output (HIGH)
MIX1OUT2	36	1st AM/FM mixer IF (10.7 MHz) output (LOW)
IFAMP1DEC	37	2nd AM mixer and 1st FM IF amplifier decoupling
V <sub>DDA6</sub>	38	analog supply voltage 6 (8.5 V) for 1st and 2nd IF amplifier
IFAMP1IN	39	1st IF amplifier/2nd AM mixer (10.7 MHz) input
IFAMP1OUT	40	1st IF amplifier (10.7 MHz) output

## New In Car Entertainment (NICE) car radio

TEA6840H

SYMBOL	PIN	DESCRIPTION
IFAMP2DEC	41	2nd IF amplifier decoupling and AGC capacitor for AM noise blanker
C <sub>offset</sub>	42	DC feedback for offset compensation RDS mute
IFAMP2IN	43	2nd IF amplifier (10.7 MHz) input
IF1GND	44	AM IF1 ground
AMIF2IN	45	AM IF2 (450 kHz) input for demodulator AGC and AM level detector
AMNBHOLD	46	AM noise blanker hold output
IFAMP2OUT	47	2nd IF amplifier (10.7 MHz) output
AMIF2DEC	48	decoupling for AM IF2 input
FMLIMIN	49	FM limiter (10.7 MHz) input
FMLIMDEC	50	FM limiter decoupling
C <sub>AGC</sub>	51	AMIFAGC capacitor
AMMIX2OUT1	52	2nd AM mixer (450 kHz) output 1
AMMIX2OUT2	53	2nd AM mixer (450 kHz) output 2
I <sub>ref</sub>	54	reference current for power supply
XTAL1	55	crystal oscillator 1
XTALGND	56	crystal oscillator ground
XTAL2	57	crystal oscillator 2
V <sub>level</sub>	58	level voltage output for AM and FM
C <sub>AFC</sub>	59	FM demodulator AFC capacitor
QDET1	60	quadrature demodulator tank 1
QDET2	61	quadrature demodulator tank 2
IF2GND	62	AM IF2 ground
SCL	63	I <sup>2</sup> C-bus clock line input
SDA	64	I <sup>2</sup> C-bus data line input/output

New In Car Entertainment (NICE) car radio

TEA6840H

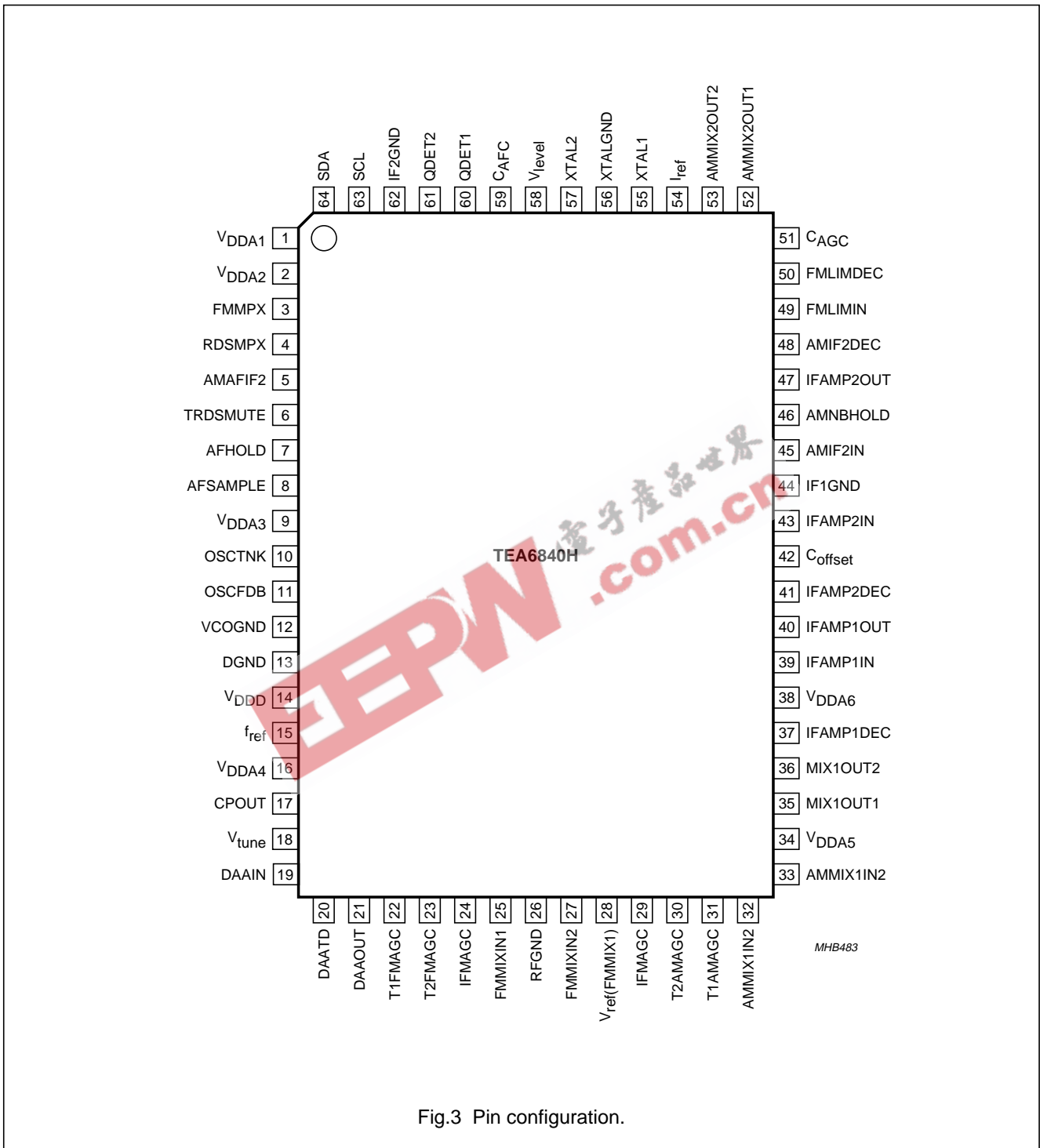


Fig.3 Pin configuration.



## New In Car Entertainment (NICE) car radio

## TEA6840H

**FUNCTIONAL DESCRIPTION****FM mixer 1**

FM quadrature mixer converts FM RF (65 to 162.55 MHz) to an IF of 10.7 MHz. The FM mixer provides inherent image rejection and high RF sensitivity.

It is capable of tuning the US FM, US weather, Europe FM, Japan FM and East Europe FM bands.

- US FM = 87.9 to 107.9 MHz
- US weather = 162.4 to 162.55 MHz
- Europe FM = 87.5 to 108 MHz
- Japan FM = 76.0 to 91 MHz
- East Europe FM = 65.8 to 74 MHz.

**VCO**

The L and C tuned VCO provides the Local Oscillator (LO) signal for both FM and AM mixer 1. It has a frequency range of 151.2 to 248.2 MHz.

**Crystal oscillator**

The crystal oscillator provides a 20.5 MHz signal that is used for:

- Reference frequency for frequency synthesizer PLL
- LO for 2nd AM mixer
- Reference frequency for the IF counter
- Timing signal for the RDS update algorithm
- Reference frequency (75.4 kHz) for the TEA6880H.

**PLL**

Fast synthesizer PLL tuning system with local control for inaudible RDS updating.

**DAA**

Digital Auto Alignment circuitry (FM RF DAA) for the conversion of the VCO tuning voltage to a controlled alignment voltage for the FM antenna tank circuit.

**FM keyed AGC**

FM contains keyed wide-band RF AGC. AGC detection occurs at the FM mixer. The wide-band RF signal switches a narrow band signal (IF) from the FM IF level detector circuitry that controls the FM RF AGC block.

It includes an AGC pin diode drive circuit for the FM RF AGC. The pin diode drive can be activated via the I<sup>2</sup>C-bus as a local/distance function.

The AGC threshold is programmable and the keyed AGC function is switchable via the I<sup>2</sup>C-bus.

**FM IF amplifiers**

The two FM IF amplifiers provide 10 dB and 4 dB amplification with high linearity and dynamic range.

**FM demodulator**

The FM quadrature demodulator includes automatic centre frequency adjustment and THD compensation.

**AM tuner**

The AM tuner is realized in a double conversion technique and is capable of selecting LW/MW and SW bands.

AM mixer 1 converts AM RF to an IF1 of 10.7 MHz, while AM mixer 2 converts 10.7 MHz IF1 to 450 kHz IF2.

- LW = 144 to 288 kHz
- MW = 530 to 1710 kHz (US AM band)
- SW = 5.85 to 9.99 MHz (including the 31 m, 41 m and 49 m bands).

**AM RF and IF2 AGC**

The AM RF includes a pin diode drive circuit. The threshold detection points for AM AGC are performed at AM mixer 1 and AM IF2. AGC thresholds are programmable via the I<sup>2</sup>C-bus.

**AM detector**

The AM detector provides AM level information and AM AF or AM IF2.

**AM AF/IF2 SWITCH**

The AM output provides either a detected AM Audio Frequency (AF) or the corresponding AM IF2 signal. The IF2 signal can be used for AM stereo decoder processing.

**AM noise blanker**

The detection point for the AM noise blanker is the output stage of AM mixer 1, while blanking is realized at the output of the 2nd mixer.

Trigger sensitivity can be modified by changing the resistor value at pin 46.

## New In Car Entertainment (NICE) car radio

## TEA6840H

**FM/AM level detector**

FM and AM level detectors provide the temperature compensated output voltage. The starting points and slopes of the level detector outputs are programmable via the I<sup>2</sup>C-bus.

**Test mode**

The test mode of the IC is activated by:

- Sending the test byte (byte 5) to the IC
- Connecting pin 15 through a 100 k $\Omega$  resistor to V<sub>DDA1</sub>
- Applying 50  $\mu$ A to pin 15.

If the test mode is enabled by pin 15:

- The settling time of the AM IF2 AGC is reduced to less than 100 ms in the nominal application

- The digital-to-analog converters for the antenna Data Access Arrangement (DAA) and the level DAA can be clocked directly by the SCL line of the I<sup>2</sup>C-bus
- The output at pin 15 can be selected by the I<sup>2</sup>C-bus: TEA6880H reference frequency, PLL reference frequency or PLL programmable divider output frequency
- The RDS update control circuit can be clocked directly via pin 20
- Pin 31 can be used to enable the load PLL circuit of the RDS update control circuit
- Charge pumps can be set into 3-state mode.

**LIMITING VALUES**

In accordance with the Absolute Maximum Rating System (IEC 134).

SYMBOL	PARAMETER	CONDITIONS	MIN.	MAX.	UNIT
V <sub>DDA1</sub>	analog supply voltage 1 for on-chip power supply		-0.3	+10	V
V <sub>DDA2</sub>	analog supply voltage 2 for on-chip power supply		-0.3	+6.5	V
V <sub>DDA4</sub>	analog supply voltage 4 for tuning PLL		-0.3	+10	V
V <sub>DDA5</sub>	analog supply voltage 5 for FM and AM RF		-0.3	+10	V
V <sub>DDA6</sub>	analog supply voltage 6 for 1st IF amplifier		-0.3	+10	V
V <sub>DDA7</sub>	analog supply voltage 7 for 2nd IF amplifier		-0.3	+10	V
V <sub>DDD</sub>	digital supply voltage		-0.3	+6.5	V
T <sub>stg</sub>	storage temperature		-55	+150	°C
T <sub>amb</sub>	operating ambient temperature		-40	+85	°C
V <sub>es</sub>	electrostatic handling	note 1	-200	+200	V
		note 2	-2000	+2000	V

**Notes**

1. Charge device model (R = 0  $\Omega$ , C = 200 pF).
2. Human body model (R = 1.5 k $\Omega$ , C = 100 pF).

**THERMAL CHARACTERISTICS**

SYMBOL	PARAMETER	CONDITIONS	VALUE	UNIT
R <sub>th(j-a)</sub>	thermal resistance from junction to ambient	in free air	48	K/W

## New In Car Entertainment (NICE) car radio

TEA6840H

**DC CHARACTERISTICS** $V_{DDA1} = 8.5\text{ V}$ ;  $V_{DDA2} = 5\text{ V}$ ;  $V_{DDD} = 5\text{ V}$ ;  $T_{amb} = 25\text{ }^{\circ}\text{C}$ ; unless otherwise specified.

SYMBOL	PARAMETER	CONDITIONS	MIN.	TYP.	MAX.	UNIT
<b>Supplies</b>						
$V_{DDA1}$	analog supply voltage at pins 1, 9, 16, 34, 35, 36, 38, 42, 52 and 53		8	8.5	9	V
$V_{DDA2}$	analog supply voltage at pin 2		4.75	5	5.25	V
$V_{DDD}$	digital supply voltage at pin 14		4.75	5	5.25	V
$I_{DDA}$	analog supply current internal power supply	FM mode	6.5	8.1	9.8	mA
		AM mode	4.7	5.9	7.1	mA
$I_{DDD}$	digital supply current	FM mode	18	23	28	mA
		AM mode	18	23	28	mA
<b>FM mode</b>						
$I_{35}$	bias current FM mixer output 1		4.8	6	7.2	mA
$I_{36}$	bias current FM mixer output 2		4.8	6	7.2	mA
$I_{38}$	supply current FM IF amplifier 1 and 2		12	14	16	mA
$I_{DDA1}$	analog supply current internal power supply			15	–	mA
$I_{DDA4}$	analog supply current tuning PLL	test mode; data byte 5 bit 3 = 1	–	2.9	–	mA
$I_{DDA3}$	analog supply current VCO		–	6.5	–	mA
$I_{DDA5}$	analog supply current RF		–	5	–	mA
<b>AM mode</b>						
$I_{35}$	bias current AM mixer 1 output 1		4.8	6	7.2	mA
$I_{36}$	bias current AM mixer 1 output 2		4.8	6	7.2	mA
$I_{52}$	bias current AM mixer 2 output 1		3.6	4.5	5.4	mA
$I_{53}$	bias current AM mixer 2 output 2		3.6	4.5	5.4	mA
$I_{DDA1}$	analog supply current internal power supply		–	17.5	–	mA
$I_{DDA4}$	analog supply current tuning PLL	test mode; data byte 5 bit 3 = 1	–	1.6	–	mA
$I_{DDA3}$	analog supply current VCO		–	6.5	–	mA
$I_{DDA5}$	analog supply current RF		–	1.8	–	mA
<b>Power supply</b>						
REFERENCE CURRENT GENERATOR; PIN 54						
$V_{O(\text{ref})}$	output reference voltage		4	4.25	4.5	V
$R_O$	output resistance		8	11	13	k $\Omega$
$I_{O(\text{source})(\text{max})}$	maximum output source current		–100	–	+100	nA

## New In Car Entertainment (NICE) car radio

## TEA6840H

**AC CHARACTERISTICS**

$V_{DDA1} = 8.5\text{ V}$ ;  $V_{DDA2} = 5\text{ V}$ ;  $V_{DDD} = 5\text{ V}$ ;  $T_{\text{amb}} = 25\text{ }^{\circ}\text{C}$ ; see Figs 8 and 9; unless otherwise specified.

SYMBOL	PARAMETER	CONDITIONS	MIN.	TYP.	MAX.	UNIT
<b>Voltage controlled oscillator</b>						
$f_{\text{osc}}$	oscillator frequency		151.2	–	248.2	MHz
$V_{11}$	input bias voltage		2.2	2.8	3.4	V
$V_{10}$	DC output voltage		5	6.1	7.2	V
$V_{10(\text{rms})}$	AC output voltage (RMS value)	$f_{\text{osc}} = 200\text{ MHz}$	–	1.5	–	V
C/N	carrier-to-noise ratio	$f_{\text{osc}} = 200\text{ MHz}$ ; $\Delta f = 10\text{ kHz}$	–	101	–	$\frac{\text{dBc}}{\sqrt{\text{Hz}}}$
RR	ripple rejection	$f_{\text{ripple}} = 100\text{ Hz}$ ; $V_{\text{DDA3(ripple)}} = 100\text{ mV (RMS)}$ ; $f_{\text{osc}} = 250\text{ MHz}$	–	97	–	dB
		$f_{\text{ripple}} = 100\text{ Hz}$ ; $V_{\text{DDA3(ripple)}} = 100\text{ mV (RMS)}$ ; $f_{\text{osc}} = 200\text{ MHz}$	–	99	–	dB
<b>Crystal oscillator; pins 55, 56 and 57</b>						
$f_{\text{osc}}$	standard frequency		20.4996	20.5	20.5004	MHz
$V_{\text{bias(XTAL)}}$	DC bias voltage (pins 55 and 57)		1.7	2.1	2.5	V
$R_{55-57}$	real part of input impedance (pins 55 to 57)	$V_{55-57} = 1\text{ mV}$	–500	–	–	$\Omega$
$C_{55-57}$	input capacitance (pins 55 to 57)		8	10	12	pF
$R_{\text{XTAL}}$	crystal motional resistance	start of operation	–	–	500	$\Omega$
$C_{\text{XTAL}}$	crystal shunt capacitance		–	–	18	pF
$V_{\text{XTAL(rms)}}$	crystal voltage (pins 55 to 57) (RMS value)		–	350	–	mV
C/N	carrier-to-noise ratio	$f_{\text{osc}} = 20.5\text{ MHz (10.25 MHz)}$ ; $\Delta f = 10\text{ kHz}$	–	112	–	$\frac{\text{dBc}}{\sqrt{\text{Hz}}}$
$I_{56}$	start-up current	$V_{55} = V_{57} = 2.1\text{ V}$	–	9	–	mA
	operating current	$V_{55} - V_{57} = \pm 400\text{ mV}$	–	1.5	–	mA

## New In Car Entertainment (NICE) car radio

## TEA6840H

SYMBOL	PARAMETER	CONDITIONS	MIN.	TYP.	MAX.	UNIT
<b>Oscillator divider N1</b>						
D/D <sub>N1</sub>	oscillator divider ratio N1	data byte 4 bit 0 = 0, bit 1 = 0 and bit 2 = 0 for FM standard; bit 1 = 0, bit 2 = 1 for FM EE; bit 1 = 1, bit 2 = 0 for FM local	–	2	–	
		data byte 4 bit 0 = 0, bit 1 = 1 and bit 2 = 1 for FM WX	–	1	–	
<b>Oscillator divider N2</b>						
D/D <sub>N2</sub>	oscillator divider ratio N2	data byte 4 bit 0 = 1, bit 2 = 1; AM mode	–	10	–	
		data byte 4 bit 0 = 1, bit 2 = 0; AM mode	–	5	–	
<b>Synthesizer</b>						
PROGRAMMABLE DIVIDER						
D/D <sub>prog</sub>	programmable divider ratio		512	–	32767	
D/D <sub>step</sub>	programmable divider step size		–	1	–	
REFERENCE FREQUENCY DIVIDER						
D/D <sub>Nref</sub>	crystal oscillator divider ratio N <sub>ref</sub>	f <sub>osc</sub> = 20.5 MHz; data byte 4 bit 4 = 0, bit 5 = 0 and bit 6 = 0; f <sub>ref</sub> = 100 kHz	–	205	–	
		f <sub>osc</sub> = 20.5 MHz; data byte 4 bit 4 = 0, bit 5 = 0 and bit 6 = 1; f <sub>ref</sub> = 50 kHz	–	410	–	
		f <sub>osc</sub> = 20.5 MHz; data byte 4 bit 4 = 0, bit 5 = 1 and bit 6 = 0; f <sub>ref</sub> = 25 kHz	–	820	–	
		f <sub>osc</sub> = 20.5 MHz; data byte 4 bit 4 = 0, bit 5 = 1 and bit 6 = 1; f <sub>ref</sub> = 20 kHz	–	1025	–	
		f <sub>osc</sub> = 20.5 MHz; data byte 4 bit 4 = 1, bit 5 = 0 and bit 6 = 0; f <sub>ref</sub> = 10 kHz	–	2050	–	

## New In Car Entertainment (NICE) car radio

## TEA6840H

SYMBOL	PARAMETER	CONDITIONS	MIN.	TYP.	MAX.	UNIT
CHARGE PUMP: PINS 17 AND 18						
$I_{\text{sink}(lcp1)}$	low charge pump 1 peak sink current (pin 17)	$V_{17} = 0.4$ to $7.6$ V; data byte 4 bit 0 = 0, bit 1 = 1 and bit 2 = 1 for FM WX	200	300	400	$\mu\text{A}$
$I_{\text{source}(lcp1)}$	low charge pump 1 peak source current (pin 17)	$V_{17} = 0.4$ to $7.6$ V; data byte 4 bit 0 = 0, bit 1 = 1 and bit 2 = 1 for FM WX	-200	-300	-400	$\mu\text{A}$
$I_{\text{sink}(hcp1)}$	high charge pump 1 peak sink current (pin 17)	$V_{17} = 0.4$ to $7.6$ V; data byte 4 bit 0 = 1, bit 1 = 1 and bit 2 = 1; AM stereo; N2 divider set to 10 (LW, MW)	0.7	1	1.3	mA
$I_{\text{source}(hcp1)}$	high charge pump 1 peak source current (pin 17)	$V_{17} = 0.4$ to $7.6$ V; data byte 4 bit 0 = 1, bit 1 = 1 and bit 2 = 1; AM stereo; N2 divider set to 10 (LW, MW)	-0.7	-1	-1.3	mA
$I_{\text{sink}(cp2)}$	charge pump 2 peak sink current (pin 17)	$V_{17} = 0.3$ to $7.1$ V; data byte 4 bit 0 = 0, bit 1 = 0 and bit 2 = 0; FM standard	100	130	160	$\mu\text{A}$
$I_{\text{source}(cp2)}$	charge pump 2 peak source current (pin 17)	$V_{17} = 0.3$ to $7.6$ V; data byte 4 bit 0 = 0, bit 1 = 0 and bit 2 = 0; FM standard	-100	-130	-160	$\mu\text{A}$
$I_{\text{sink}(cp3)}$	charge pump 3 peak sink current (pin 18)	$V_{18} = 0.4$ to $7.6$ V; data byte 4 bit 0 = 0, bit 1 = 0 and bit 2 = 0; FM standard	2.1	3	3.9	mA
$I_{\text{source}(cp3)}$	charge pump 3 peak source current (pin 17)	$V_{18} = 0.4$ to $7.6$ V; data byte 4 bit 0 = 0, bit 1 = 0 and bit 2 = 0; FM standard	-2.1	-3	-3.9	mA
$I_{Z(cp)}$	charge pumps 3-state currents (pins 17 and 18)	data byte 5 bit 3 = 1; $V_{17,18} = 0$ to $8.5$ V	-5	-	+5	nA
ANTENNA DAA: PINS 19, 20 AND 21						
$I_{\text{bias}(cp)}$	charge pump buffer input bias current (pin 19)	$V_{\text{DAAIN}} = 0.4$ to $8.0$ V; FM mode	-10	-	+10	nA
		$V_{\text{DAAIN}} = 0$ to $8.5$ V; AM mode	-10	-	+10	nA
$V_{i(cp)}$	charge pump buffer input voltage (pin 19)		0	-	8.5	V
$V_{o(DAA)(\text{min})}$	minimum DAA output voltage (pin 21)	$V_{\text{DAAIN}} = 4.0$ V; $V_{\text{DAATD}} = 0.7$ V; FM mode	-	-	0.5	V
$V_{o(DAA)(\text{max})}$	maximum DAA output voltage (pin 21)	data byte 3 bits 0 to 6 set to logic 1; $V_{\text{DAAIN}} = 4.0$ V; $V_{\text{DAATD}} = 0.7$ V; FM mode	8	-	8.5	V

## New In Car Entertainment (NICE) car radio

## TEA6840H

SYMBOL	PARAMETER	CONDITIONS	MIN.	TYP.	MAX.	UNIT
$V_{o(DAA)}$	DAA output voltage (pin 21)	AM mode	–	–	0.3	V
		data byte 3 bits 0 to 6 set to logic 0; $V_{DAAIN} = 4.0$ V; $V_{DAATD} = 0.7$ V; note 1	1.5	1.65	1.8	V
		$V_{DAAIN} = 4$ V; data byte 3 = 10101011; FM mode	3.8	4	4.2	V
$V_{o(n)(DAA)}$	DAA output noise voltage (pin 21)	$V_{DAAIN} = 4$ V; data byte 3 bit 6 = 1 and bits 5 to 0 = 0; B = 300 Hz to 15 kHz; FM mode	–	30	100	$\mu$ V
$G_{CONV(DAA)}$	DAA conversion gain (pin 21)	$V_{DAAOUT} = 0.2$ to 8.25 V; data byte 3 bits 0 to 6 set to logic 1; $V_{DAAIN} = 3.0$ V; $V_{DAATD} = 0.7$ V; note 1	6.2	6.5	6.8	V
		$V_{DAAIN} = 2$ V; data byte 3 = 11010101; FM mode	3	3.3	3.6	V
		$V_{DAAIN} = 2$ V; data byte 3 = 10101010; FM mode	1.8	2	2.2	V
$\Delta T$	temperature drift (pin 21)	$T_{amb} = -40$ to $+85$ °C; data byte 3 = 10101011; $V_{DAATD} = 0.7$ V	–8	–	+8	mV
$V_{21n} - V_{21(n+1)}$	DAA step accuracy (pin 21)	$n = 0$ to 127; $V_{DAAOUT} < 8.0$ V; FM mode	$0.5V_{LSB}$	$V_{LSB}$	$1.5V_{LSB}$	mV
$I_{sink(DAA)}$	DAA output sink current (pin 21)	$V_{DAAOUT} = 0.2$ to 8.25 V	50	–	–	$\mu$ A
$I_{source(DAA)}$	DAA output source current (pin 21)	$V_{DAAOUT} = 0.2$ to 8.25 V	–50	–	–	$\mu$ A
$I_{source(cd)}$	compensation diode source current (pin 20)	$V_{DAATD} = 0.2$ to 1.5 V	–50	–40	–30	$\mu$ A
$TC_{cd(source)}$	temperature coefficient compensation diode source current (pin 20)	$V_{DAATD} = 0.2$ to 1.5 V; $T_{amb} = -40$ to $+85$ °C	–300	–	+300	$\frac{10^{-12}}{K}$
$t_{st}$	DAA output settling time	$V_{DAAOUT} = 0.2$ to 8.25 V; $C_L = 270$ pF	–	–	30	$\mu$ s
RR	ripple rejection	$f_{ripple} = 100$ Hz; $V_{DDA4} = 1$ mV	–	50	–	dB
$C_{L(DAA)}$	DAA output load capacitance (pin 21)	$V_{DDAOUT} < 8.0$ V; FM mode	–	–	270	pF

## New In Car Entertainment (NICE) car radio

## TEA6840H

SYMBOL	PARAMETER	CONDITIONS	MIN.	TYP.	MAX.	UNIT
<b>IF counter (FM IF1/AM IF2 counter)</b>						
$N_{IF}$	IF counter length for AM and FM		–	8	–	bit
$T_{count(IF)}$	IF counter period	data byte 4 bit 7 = 1	–	2	–	ms
		data byte 4 bit 7 = 0	–	20	–	ms
$R_{precount}$	FM IF counter prescaler ratio	data byte 4 bit 3 = 1	–	10	–	
		data byte 4 bit 3 = 0	–	100	–	
<b>Reference frequency for car sound processor IC; note 2</b>						
REFERENCE FREQUENCY DIVIDER						
$R_{ref}$	crystal oscillator divider ratio		–	272	–	
$f_{ref}$	reference frequency	$f_{xtal} = 20.5 \text{ MHz}$	–	75.368	–	kHz
VOLTAGE GENERATOR; PIN 15						
$V_{o(p-p)}$	AC output voltage (peak-to-peak value)		60	100	170	mV
$V_O$	DC output voltage		3.2	3.4	3.9	V
$R_O$	output resistance		–	–	50	k $\Omega$
$R_{L(min)}$	minimum load resistance		1	–	–	M $\Omega$
<b>AM signal channel</b>						
RF AGC STAGE						
$V_{i(RF)}$	RF input voltage for AGC start level (pin 32)	data byte 5 bit 5 = 0, bit 6 = 0	–	375	–	mV
		data byte 5 bit 5 = 1, bit 6 = 0	–	500	–	mV
		data byte 5 bit 5 = 0, bit 6 = 1	–	625	–	mV
		data byte 5 bit 5 = 1, bit 6 = 1	–	750	–	mV
$V_{i(IF2)}$	IF2 input voltage (pin 45)	AGC start level	0.5	0.85	1	V
$I_{sink(AGC)(max)}$	maximum AGC sink current (pin 29)	$V_{32} > 500 \text{ mV (peak)}$	–	15	–	mA
$R_O$	output resistance (pin 29)	$I_{29} = 1 \mu\text{A}$	1	–	–	M $\Omega$
$C_O$	AM AGC current generator output capacitance (pin 29)		–	5	7	pF
$I_{att}$	attack current AGC peak detector (pin 30)	data byte 5 bit 5 = 1, bit 6 = 1; $V_{32-33} = 1 \text{ V}; V_{30} = 3 \text{ V};$ $V_{45-48} = 0 \text{ V}$	–	3.15	–	mA
$I_{dec}$	decay current AGC peak detector (pin 30)	data byte 5 bit 5 = 1, bit 6 = 1; $V_{32-33} = 0 \text{ V}; V_{30-32} = 250 \text{ mV};$ $V_{30} = 3 \text{ V}; V_{45-48} = 0 \text{ V}$	–	2.6	–	$\mu\text{A}$



## New In Car Entertainment (NICE) car radio

## TEA6840H

SYMBOL	PARAMETER	CONDITIONS	MIN.	TYP.	MAX.	UNIT
AM MIXER 1 (IF1 = 10.7 MHz)						
$R_i$	input resistance (pin 32 to 33)		50	70	100	k $\Omega$
$C_i$	input capacitance (pin 32 to 33)		–	5	7	pF
$V_i$	DC input voltage (pins 32 and 33)		2.3	2.7	3.1	V
$R_o$	output resistance (pin 35 to 36)		100	–	–	k $\Omega$
$C_o$	output capacitance (pin 35 to 36)		–	5	7	pF
$V_{i(max)}$	maximum input voltage (pin 32)	1 dB compression point of $V_{35-36(p-p)}$	500	–	–	mV
$V_{o(max)(p-p)}$	maximum output voltage (pin 35 to 36) (peak-to-peak value)		12	15	–	V
$g_{m(CONV)}$	conversion transconductance		2.0	2.55	3.2	mA/V
$\Delta g_{m(CONV)}(T)$	conversion transconductance temperature dependency		–	–0.09	–	%/K
IP3	3rd-order intermodulation	$R_{35-36(ACL)} = 2.8 \text{ k}\Omega$	135	138	–	dB $\mu$ V
IP2	2nd-order intermodulation	$R_{35-36(ACL)} = 2.8 \text{ k}\Omega$	–	170	–	dB $\mu$ V
$V_{i(n)(eq)}$	equivalent input noise voltage (pin 32 to 33)	band limited noise; $R_{gen} = 750 \Omega$ ; $R_{35-36(ACL)} = 2.8 \text{ k}\Omega$	–	5.8	–	$\frac{nV}{\sqrt{Hz}}$
$F_{AMMIX1}$	noise figure of AM mixer 1		–	4.5	7.1	dB
$I_{bias}$	mixer bias current (pins 35 and 36)	AM position	4.8	6	7.2	mA
WEATHER BAND FLAG						
$I_{L(max)}$	maximum load current (pin 31)		–5	–	+5	$\mu$ A
$V_{o(max)}$	maximum output voltage for FM mode (pin 31 to 26)		0	–	0.5	V
$V_{o(min)}$	minimum output voltage for WX mode (pin 31 to 26)		5.1	6	6.9	V

## New In Car Entertainment (NICE) car radio

## TEA6840H

SYMBOL	PARAMETER	CONDITIONS	MIN.	TYP.	MAX.	UNIT
AM MIXER 2 (IF2 = 450 kHz)						
$R_i$	input resistance (pin 39 to 37)		270	330	390	$\Omega$
$C_i$	input capacitance (pin 39 to 37)		–	5	7	pF
$V_i$	DC input voltage (pins 39 and 37)		2.4	2.7	3	V
$R_o$	output resistance (pin 52 to 53)		100	–	–	k $\Omega$
$C_o$	output capacitance (pin 52 to 53)		–	5	7	pF
$V_{i(max)(peak)}$	maximum input voltage (pin 39 to 37) (peak value)	1 dB compression point of $V_{52-53(p-p)}$	1.1	–	–	V
$V_{o(max)(p-p)}$	maximum output voltage (pin 52 to 53) (peak-to-peak value)	$V_{DDA1} = 8.5\text{ V}$	12	15	–	V
$g_{m(CONV)}$	conversion transconductance		1.3	1.6	1.9	mA/V
$\frac{\Delta g_{m(CONV)}}{g_{m(CONV)} \times \Delta T}$	conversion transconductance temperature dependency		–	$-9 \times 10^{-4}$	–	1/K
IP3	3rd-order intermodulation	$R_{52-53(ACL)} = 4\text{ k}\Omega$	134	137	–	dB $\mu$ V
IP2	2nd-order intermodulation	$R_{52-53(ACL)} = 4\text{ k}\Omega$	–	170	–	dB $\mu$ V
$V_{i(n)(eq)}$	equivalent input noise voltage (pin 39 to 37)	$R_{gen} = 330\ \Omega$ ; $R_{52-53(ACL)} = 4\text{ k}\Omega$	–	15	22	$\frac{nV}{\sqrt{Hz}}$
$F_{AMMIX2}$	noise figure of AM mixer 2		–	16	19.5	dB
$I_{bias}$	mixer bias current (pins 52 and 53)	AM position	3.6	4.5	5.4	mA
IF2 AGC STAGE AND AM DETECTOR						
$V_{AGC(start)}$	AGC start voltage (pin 45 to 48)	input carrier voltage	–	14	30	$\mu$ V
$V_{AGC(stop)}$	AGC stop voltage (pin 45 to 48)	maximum input peak voltage	1	–	–	V
$\Delta AGC$	AGC range	between start and stop of AGC; $m = 0.8$	–	89	–	dB
$R_i$	input resistance (pin 45 to 48)		1.8	2	2.2	k $\Omega$
$C_i$	input capacitance (pin 45 to 48)		–	–	5	pF

## New In Car Entertainment (NICE) car radio

## TEA6840H

SYMBOL	PARAMETER	CONDITIONS	MIN.	TYP.	MAX.	UNIT
$V_i$	input voltage for $\alpha = -10$ dB audio attenuation (pin 45 to 48)	data byte 5 bit 4 = 1; mute on	–	75	120	$\mu$ V
		data byte 5 bit 4 = 0; mute off	–	6	10	$\mu$ V
$V_{AGC(ctrl)}$	AGC control voltage	$V_{45-48} = 1$ mV	4.1	4.3	4.7	V
$V_{5(min)(rms)}$	minimum AM IF2 output level (pin 5) (RMS value)	data byte 4 bit 0 = 1, bit 1 = 1; m = 0; $V_{45-48} = 14$ $\mu$ V	1.5	3	4.5	mV
$V_{5(max)(rms)}$	maximum AM IF2 output level (pin 5) (RMS value)	data byte 4 bit 0 = 1, bit 1 = 1; m = 0; $V_{45-48} = 5.0$ mV	130	180	230	mV
$R_o$	output resistance (pin 5)	data byte 4 bit 0 = 1, bit 1 = 1	–	–	500	$\Omega$
		data byte 4 bit 0 = 1, bit 1 = 0	–	–	500	$\Omega$
$V_{o(rms)}$	AM AF output voltage level (pin 5) (RMS value)	data byte 4 bit 0 = 1, bit 1 = 0; m = 0.3; $f_{mod} = 400$ Hz; $V_{45-48} = 100$ $\mu$ V to 500 mV (RMS)	240	290	340	mV
$C_o$	output capacitance (pin 5)	data byte 4 bit 0 = 1, bit 1 = 0	–	5	7	pF
$V_{SEN(rms)}$	sensitivity voltage (pin 45 to 48) (RMS value)	m = 0.3; $f_{mod} = 400$ Hz; $B_{AF} = 2.5$ kHz; $R_{source} = 2$ k $\Omega$ S + N/N = 26 dB	–	45	65	$\mu$ V
		S + N/N = 46 dB	–	600	900	$\mu$ V
S+N/N	maximum signal plus noise-to-noise ratio	m = 0.3; $f_{mod} = 400$ Hz; $B_{AF} = 2.5$ kHz; $R_{source} = 2$ k $\Omega$	54	60	–	dB
THD	total harmonic distortion	$B_{AF} = 2.5$ kHz; $C_{AGC} = 22$ $\mu$ F; $V_{45-48} = 100$ $\mu$ V to 500 mV (RMS)	–	–	–	–
		m = 0.8; $f_{mod} = 400$ Hz	–	0.5	1	%
		m = 0.9; $f_{mod} = 400$ Hz	–	1	2	%
		m = 0.8; $f_{mod} = 100$ Hz	–	1.25	2.5	%
		m = 0.9; $f_{mod} = 100$ Hz	–	1.75	3.5	%
RR	ripple rejection (pin 5)	$f_{ripple} = 100$ Hz; $V_{DDA2(ripple)} = 100$ mV (RMS)	30	40	–	dB
$t_{sw}$	FM to AM switching time	$C_{AGC} = 22$ $\mu$ F	–	1000	1500	ms
$t_{settle}$	AM AGC settling time	$C_{AGC} = 22$ $\mu$ F normal operation	–	–	1800	ms
		test mode	–	–	180	ms

## New In Car Entertainment (NICE) car radio

## TEA6840H

SYMBOL	PARAMETER	CONDITIONS	MIN.	TYP.	MAX.	UNIT
AM IF2 LEVEL DETECTOR; see Fig.4						
$V_{\text{level}}$	level output DC voltage (pin 58)	$V_{45-48} = 10 \mu\text{V}$ to 1 V	0	–	7	V
		$V_{45-48} < 1 \mu\text{V}$ ; default setting of level DAA and level slope	0.1	0.5	0.9	V
		$V_{45-48} = 1.4 \text{ mV}$ ; default setting of level DAA	1.6	2.2	2.8	V
$\Delta V_{\text{level}}$	level starting point for adjustment of step size	default setting of level slope	30	40	50	mV
$V_{\text{level(slope)}}$	slope of level voltage	default setting of level slope	650	800	950	$\frac{\text{mV}}{20 \text{ dB}}$
$\Delta V_{\text{step}}$	level slope adjustment of step size	$V_{45-48} = 1.4 \text{ mV}$	45	60	75	$\frac{\text{mV}}{20 \text{ dB}}$
$V_{\text{o(B)}}$	bandwidth level output voltage (pin 58)		200	300	–	mV
$R_{\text{o}}$	output resistance at level voltage pin (pin 58)		–	–	500	$\Omega$
RR	ripple rejection (pin 58)	$f_{\text{ripple}} = 100 \text{ Hz}$ ; $V_{\text{DDA1(ripple)}} = 100 \text{ mV (RMS)}$	–	40	–	dB
AM NOISE BLANKER; TEST SIGNAL AND TEST CIRCUIT; see Fig.5						
$V_{\text{O}}$	DC output voltage (pin 46)		4.3	4.6	5.1	V
$t_{\text{sup}}$	suppression time		6	7.5	10	$\mu\text{s}$
$f_{\text{trigger}}$	trigger sensitivity	$V_{35} = 200 \text{ mV (peak)}$ ; $V_{58} < 1.8 \text{ V}$	–	1000	–	Hz
		$V_{35} = 200 \text{ mV (peak)}$ ; $V_{58} > 2.2 \text{ V}$	–	–	100	Hz
		$V_{35} = 20 \text{ mV (peak)}$	–	–	100	Hz
$I_{\text{sink(AGC)}}$	AM noise blanker AGC sink current (pin 6)	$V_6 = 3 \text{ V}$	35	50	65	$\mu\text{A}$
$V_{\text{AGC}}$	AM noise blanker AGC voltage (pin 6)	$V_{32-33} = 0 \text{ V}$	1.9	2.2	2.5	V
<b>FM signal channel</b>						
RF AGC						
$V_{\text{i(RF)(rms)}}$	RF input voltage for start of wide-band AGC (pin 25 to 27) (RMS value)	data byte 5 bit 5 = 0, bit 6 = 0	–	4	–	mV
		data byte 5 bit 5 = 1, bit 6 = 0	–	8	–	mV
		data byte 5 bit 5 = 0, bit 6 = 1	–	12	–	mV
		data byte 5 bit 5 = 1, bit 6 = 1	–	16	–	mV
$I_{\text{drive(pd)}}$	pin diode drive current (pin 24)	$V_{24} = 0.5$ to 4.0 V	8	11.5	15	mA
$I_{\text{ch}}$	charge current AGC peak detector (pin 22)		–350	–600	–850	$\mu\text{A}$

## New In Car Entertainment (NICE) car radio

## TEA6840H

SYMBOL	PARAMETER	CONDITIONS	MIN.	TYP.	MAX.	UNIT
$I_{dis}$	discharge current AGC peak detector (pin 22)		15	25	35	$\mu\text{A}$
$V_{th}$	threshold voltage for narrow-band AGC (pin 58)	data byte 5 bit 7 = 1; standard setting of level DAA	500	950	1400	mV
RF MIXER						
$R_i$	input resistance (pin 25 to 27)		–	1.4	–	$\text{k}\Omega$
$C_i$	input capacitance (pin 25 to 27)		–	5	7	pF
$R_o$	output resistance (pin 35 to 36)		100	–	–	$\text{k}\Omega$
$C_o$	output capacitance (pin 35 to 36)		–	5	7	pF
$V_{i(RF)(max)}$	maximum RF input voltage (pin 25 to 27)	1 dB compression point of $V_{35-36(p-p)}$	70	100	–	mV
$V_{ref}$	reference voltage (pin 28)	FM mode	6.5	7.1	7.9	V
		AM mode	2.7	3.1	3.4	V
$V_{o(max)(p-p)}$	maximum output voltage (pin 35 to 36) (peak-to-peak value)		3	–	–	V
$g_{m(CONV)}$	conversion transconductance		8.5	12.5	18	$\text{mA/V}$
$g_{m(CONV)(T)}$	conversion transconductance temperature dependency		–	–0.1	–	%/K
$V_{i(n)(eq)}$	equivalent input noise voltage (pin 25 to 27)	$R_{gen} = 600 \Omega$ ; $R_L = 2.8 \text{ k}\Omega$ ; noise of $R_{gen}$ not included	–	2.6	3.1	$\frac{\text{nV}}{\sqrt{\text{Hz}}}$
$F_{FMmixer}$	noise figure of FM mixer		–	3	4.6	dB
$I_{bias}$	mixer bias current (pins 35 and 36)	FM position	4.8	6	7.2	mA
IP3	3rd-order intermodulation		116	119	–	$\text{dB}\mu\text{V}$
IRR	image rejection ratio		25	30	–	dB
IF AMPLIFIER 1						
$G_{AMP1}$	amplifier gain	$R_L = 330 \Omega$ ; $V_{39-37} = 1 \text{ mV}$	8.5	10.5	12.5	dB
$V_{i(max)(M)}$	maximum input peak voltage (pin 39 to 37)	1 dB compression point of $V_{40(peak)}$	300	–	–	mV
$V_{o(max)(M)}$	maximum output peak voltage (pin 40)		1.2	1.5	–	V
$R_i$	input resistance (pin 39 to 37)		270	330	390	$\Omega$

## New In Car Entertainment (NICE) car radio

## TEA6840H

SYMBOL	PARAMETER	CONDITIONS	MIN.	TYP.	MAX.	UNIT
$C_i$	input capacitance (pin 39 to 37)		–	5	7	pF
$R_o$	output resistance (pin 40)		270	330	390	$\Omega$
$C_o$	output capacitance (pin 40)		–	5	7	pF
$V_{i(n)(eq)}$	equivalent input noise voltage (pin 39 to 37)	$R_{gen} = 330 \Omega$ ; $R_L = 330 \Omega$ ; noise of $R_{gen}$ not included	–	7	10	$\frac{nV}{\sqrt{Hz}}$
$F_{IFAMP1}$	noise figure of IF amplifier 1		–	9.5	13	dB
IP3	3rd-order intermodulation		120	123	–	dB $\mu$ V
<b>IF AMPLIFIER 2</b>						
$G_{AMP2}$	amplifier gain	$R_L = 330 \Omega$ ; $V_{43-41} = 1 mV$	3	4.5	6	dB
$V_{i(max)(M)}$	maximum input peak voltage (pin 43 to 41)	1 dB compression point of $V_{47(peak)}$	600	–	–	mV
$V_{o(max)(M)}$	maximum output peak voltage (pin 47)		1.2	1.5	–	V
$R_i$	input resistance (pin 43 to 41)		270	330	390	$\Omega$
$C_i$	input capacitance (pin 43 to 41)		–	5	7	pF
$R_o$	output resistance (pin 47)		270	330	390	$\Omega$
$C_o$	output capacitance (pin 47)		–	5	7	pF
$V_{i(n)(eq)}$	equivalent input noise voltage (pin 43 to 41)	$R_{gen} = 330 \Omega$ ; $R_L = 330 \Omega$ ; noise of $R_{gen}$ not included	–	9	12	$\frac{nV}{\sqrt{Hz}}$
$F_{IFAMP2}$	noise figure of IF amplifier 2		–	12	15	dB
IP3	3rd-order intermodulation		129	132	–	dB $\mu$ V
<b>FM demodulator and level detector</b> see Figs 6 and 7						
<b>FM LIMITER</b>						
$G_{lim}$	limiter gain	$R_{gen} = 50 \Omega$	74	80	–	dB
$R_i$	input resistance (pin 49 to 50)		270	330	390	k $\Omega$
$C_i$	input capacitance (pin 49 to 50)		–	5	7	pF
$V_{o(lim)(p-p)}$	limiter output voltage (pin 60 to 61) (peak-to-peak value)		500	700	–	mV

## New In Car Entertainment (NICE) car radio

## TEA6840H

SYMBOL	PARAMETER	CONDITIONS	MIN.	TYP.	MAX.	UNIT
FM DEMODULATOR						
$V_{o(rms)}$	RDS MPX output voltage (pin 4) (RMS value)	$\Delta f = 22.5 \text{ kHz}$ ; $f_{mod} = 57 \text{ kHz}$ ; $V_{49-50} = 20 \mu\text{V}$ to $1 \text{ V}$	180	230	280	mV
$V_{start(lim)(rms)}$	start of limiting of RDS MPX output voltage (pin 49 to 50) (RMS value)	$\alpha_{AF} = -3 \text{ dB}$	–	10	15	$\mu\text{V}$
	start of limiting of MPX output voltage (RMS value)	$\alpha_{AF} = -3 \text{ dB}$	–	10	15	$\mu\text{V}$
$I_{o(max)}$	maximum RDS MPX output current (pin 4)		–	–	100	$\mu\text{A}$
$R_o$	output resistance (pin 4)		–	–	500	$\Omega$
$R_L$	load resistance (pin 50)		20	–	–	k $\Omega$
$C_L$	load capacitance (pin 50)		–	–	50	pF
B	bandwidth RDS MPX output (pin 4)	$C_L = 0$ ; $R_L > 20 \text{ k}\Omega$	200	300	–	kHz
PSRR	power supply ripple rejection (pin 4)	$f_{ripple} = 100 \text{ Hz}$ to $20 \text{ kHz}$	–	40	–	dB
$V_{o(rms)}$	MPX output voltage (pin 3) (RMS value)	$\Delta f = 22.5 \text{ kHz}$ ; $f_{mod} = 1 \text{ kHz}$ ; $V_{49-50} = 20 \mu\text{V}$ to $1 \text{ V}$ ; de-emphasis = $75 \mu\text{s}$	180	230	280	mV
$V_{o(SEN)(rms)}$	sensitivity for MPX output voltage (pin 49 to 50) (RMS value)	$\Delta f = 22.5 \text{ kHz}$ ; $f_{mod} = 1 \text{ kHz}$ ; de-emphasis = $75 \mu\text{s}$ $S+N/N = 26 \text{ dB}$	–	10	15	$\mu\text{V}$
		$S+N/N = 46 \text{ dB}$	–	50	75	$\mu\text{V}$
S+N/N	maximum signal plus noise-to-noise ratio of MPX output voltage	$\Delta f = 22.5 \text{ kHz}$ ; $f_{mod} = 1 \text{ kHz}$ ; $V_{49-50} = 10 \text{ mV}$ ; de-emphasis = $75 \mu\text{s}$	67	70	–	dB
THD	total harmonic distortion of MPX output voltage	$\Delta f = 75 \text{ kHz}$ ; $f_{mod} = 1 \text{ kHz}$ ; de-emphasis = $75 \mu\text{s}$ ; $200 \mu\text{V} < V_{49-50} < 800 \text{ mV}$	–	0.35	0.7	%
$V_{o(sup)(MPX)}$	AM suppression of MPX output voltage	$\Delta f = 22.5 \text{ kHz}$ ; $f_{mod} = 1 \text{ kHz}$ ; $m = 0.3$ ; de-emphasis = $75 \mu\text{s}$ $V_{49-50} = 500 \mu\text{V}$ to $300 \text{ mV}$	50	60	–	dB
		$V_{49-50} = 20$ to $500 \mu\text{V}$	–	40	–	dB
		$V_{49-50} = 300 \text{ mV}$ to $1 \text{ V}$	–	40	–	dB
$I_{o(max)}$	maximum MPX output current (pin 3)		–	–	100	$\mu\text{A}$
$R_{L(max)}$	minimum load resistance (pin 3)		20	–	–	k $\Omega$
$R_{o(max)}$	maximum output resistance (pin 3)		–	–	500	$\Omega$

## New In Car Entertainment (NICE) car radio

## TEA6840H

SYMBOL	PARAMETER	CONDITIONS	MIN.	TYP.	MAX.	UNIT	
$C_{L(max)}$	maximum load capacitance (pin 3)		–	–	50	pF	
$B_{MPX}$	bandwidth MPX output	$C_L = 0$ ; $R_L > 20 \text{ k}\Omega$	200	–	–	kHz	
PSRR	power supply ripple rejection	$f_{ripple} = 100 \text{ Hz to } 20 \text{ kHz}$	–	40	–	dB	
<b>MPX MUTE</b>							
$\alpha_{mute}$	muting depth	during RDS update	60	80	–	dB	
$t_{att}$	attack time MPX mute	$C_6 = 10 \text{ nF}$	0.75	1	1.25	ms	
$t_{decay}$	decay time MPX mute	$C_6 = 10 \text{ nF}$	0.75	1	1.25	ms	
$I_{dis}$	discharge current (pin 6)	$V_6 = 3 \text{ V}$ ; data byte 3 bit 7 = 1	24	32	38	$\mu\text{A}$	
$I_{ch}$	charge current (pin 6)	$V_6 = 3 \text{ V}$ ; data byte 3 bit 7 = 0	–24	–32	–38	$\mu\text{A}$	
<b>DEMODULATOR AFC</b>							
$G_{AFC}$	AFC gain	detuning $\Delta f = 100 \text{ kHz}$	28	32	–	dB	
$V_{offsetDC}$	residual DC offset (pin 4)	$L_{demod} = \text{typical value}$	–	0.1	1	V	
		$V_{49-50} = 10 \text{ to } 80 \mu\text{V}$	–	10	30	mV	
		$V_{49-50} = 80 \mu\text{V to } 800 \text{ mV}$	–	–	–	–	–
		$L_{demod} = \pm 6\%$	–	0.240	1	V	
		$V_{49-50} = 10 \text{ to } 80 \mu\text{V}$	–	25	500	mV	
		$V_{49-50} = 80 \mu\text{V to } 800 \text{ mV}$	–	–	–	–	
<b>FM IF LEVEL DETECTOR</b>							
$V_{LEVEL}$	level output DC voltage (pin 58)	$V_{49-50} = 10 \mu\text{V to } 1 \text{ V}$	0	–	7	V	
		$V_{49-50} < 1 \mu\text{V}$ ; default setting of level DAA	0.1	0.35	0.9	V	
		$V_{49-50} = 1 \text{ mV}$ ; default setting of level DAA	1	1.5	2.1	V	
$\Delta V_{level}$	level starting point for adjustment of step size	default setting of level slope	30	40	50	mV	
$V_{level(slope)}$	slope of level voltage	default setting of level slope	650	800	950	$\frac{\text{mV}}{20 \text{ dB}}$	
$\Delta V_{step}$	level slope adjust step size	$V_{49-50} = 1 \text{ mV}$	45	50	75	$\frac{\text{mV}}{20 \text{ dB}}$	
$V_{o(B)}$	bandwidth level output voltage (pin 58)	$V_{49-50} = 10 \text{ mV}$ ; $f_{mod} = 22.5 \text{ kHz}$ ; default setting of DAA	200	300	–	mV	
$I_{source}$	output source current (pin 58)		–	–	–300	$\mu\text{A}$	
$I_{sink}$	output sink current (pin 58)		50	–	–	$\mu\text{A}$	
$R_o$	output resistance at level voltage (pin 58)		–	–	500	$\Omega$	
RR	ripple rejection (pin 58)	$f_{ripple} = 100 \text{ Hz}$ ; $V_{DDA1(ripple)} = 100 \text{ mV (RMS)}$	–	40	–	dB	



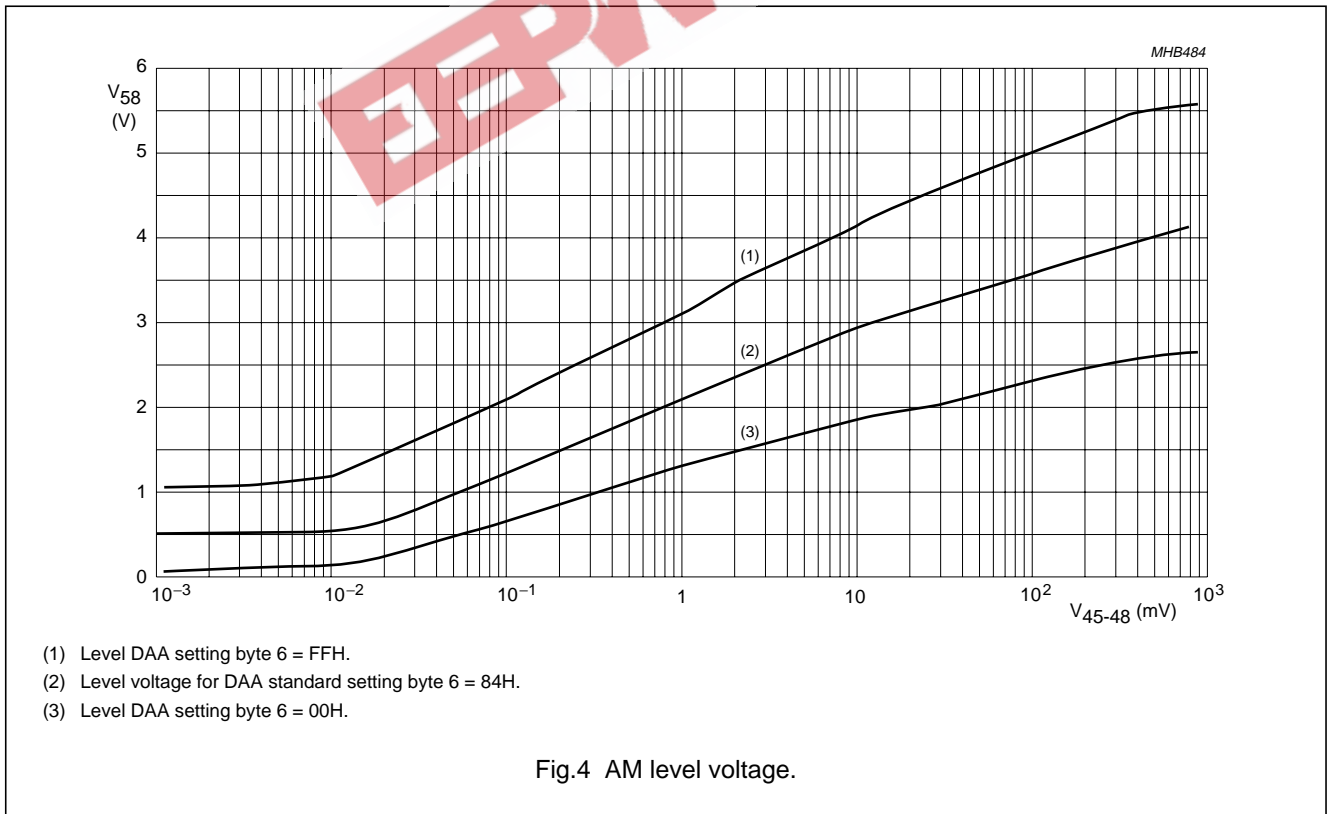
New In Car Entertainment (NICE) car radio

TEA6840H

SYMBOL	PARAMETER	CONDITIONS	MIN.	TYP.	MAX.	UNIT
<b>RDS update</b>						
$I_{\text{sink(max)}}$	AFHOLD maximum sink current (pin 7)	after first bus transmission with AF = 1 (start of RDS update); $V_{\text{AFHOLD}} = 0.5 \text{ V}$	1.0	1.2	1.4	mA
	AFSAMPLE maximum sink current (pin 8)	no RDS update in progress; $V_{\text{AFSAMPLE}} = 0.5 \text{ V}$	1.0	1.2	1.4	mA
<b>Test mode (pins 15, 20, 31 and 63); note 2</b>						
$V_{i(\text{ext})}$	external input voltage to clock state-machine (pin 20)	$V_{\text{DAATD(L)}} = 2.5 \text{ V}$ ; $V_{\text{DAATD(H)}} = 3.5 \text{ V}$	2.5	–	3.5	V
	external input voltage to clock DAA (pin 63)	$V_{\text{SCL(L)}} = 0 \text{ V}$ ; $V_{\text{SCL(H)}} = 5 \text{ V}$	0	–	5	V
$V_{\text{pulse}}$	enabling of load PLL signal (pin 31)	pin 15 in test mode	5.1	6	6.9	V

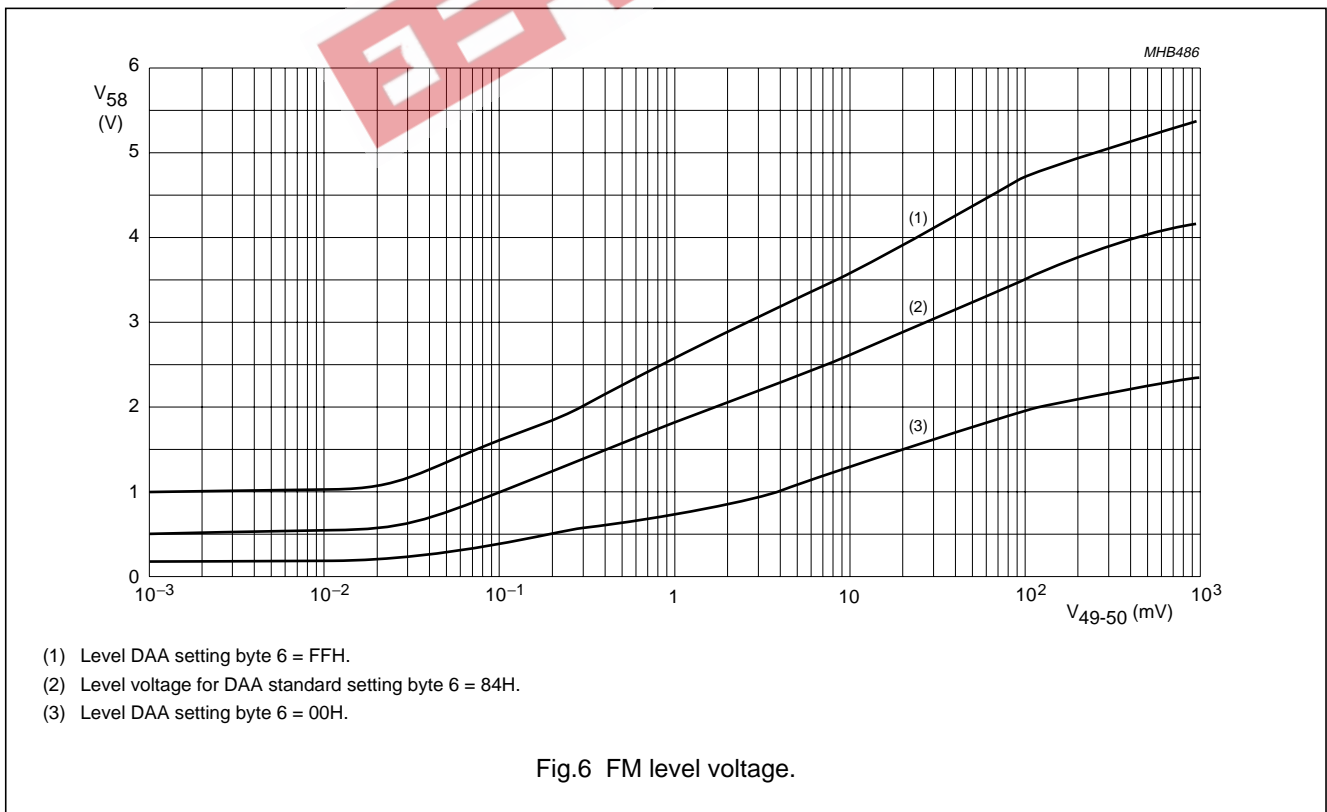
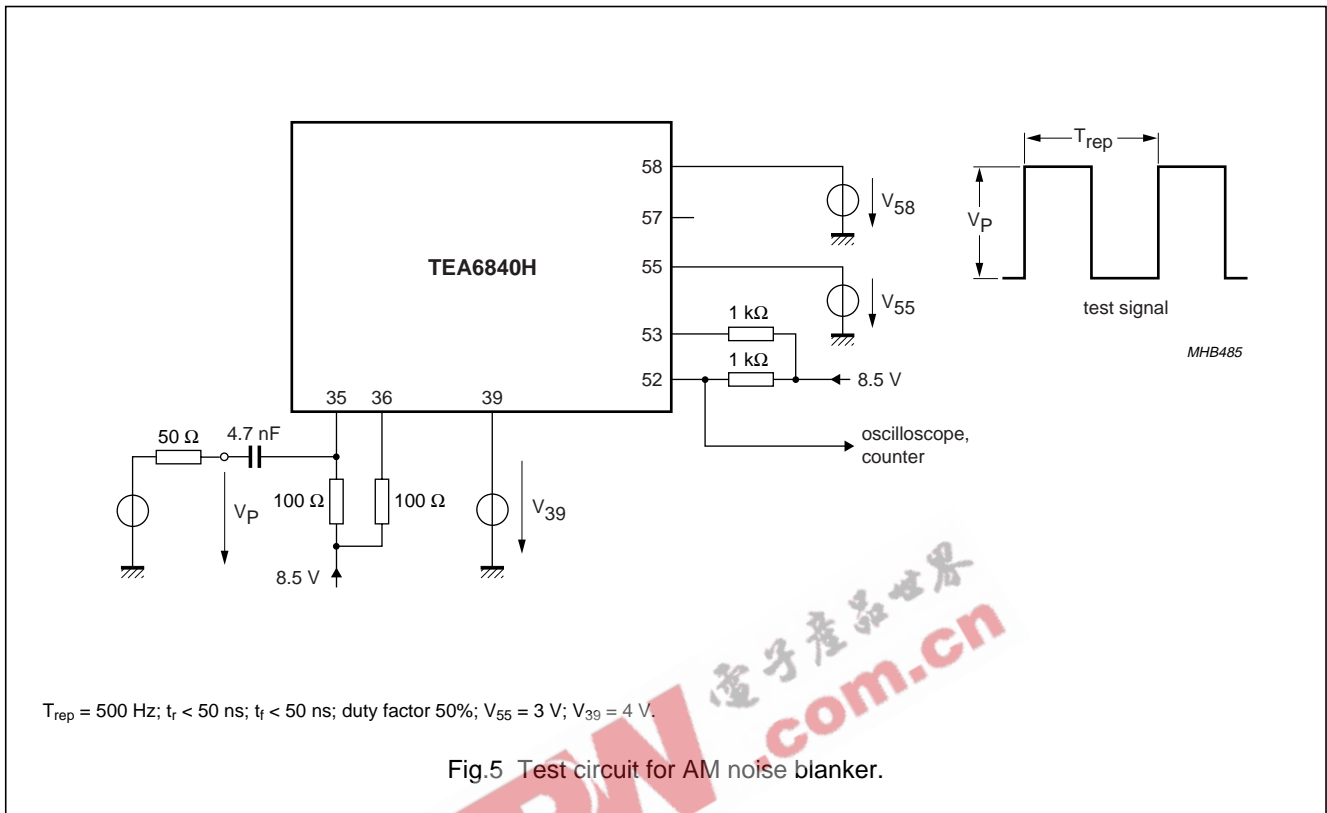
Notes

- DAA conversion gain formula:  $V_{21} = \left[ 2 \times \left( 0.75 \times \frac{n}{128} + 0.25 \right) \times (V_{19} + V_{20}) \right] - V_{20}$ ; where n = 0 to 127.
- Pin 15:  $R_{\text{ext}} = 68 \text{ k}\Omega$  connected to ground activates the 2nd I<sup>2</sup>C-bus address and  $R_{\text{ext}} = 100 \text{ k}\Omega$  connected to  $V_{\text{DDA1}}$  sets the IC into test mode.



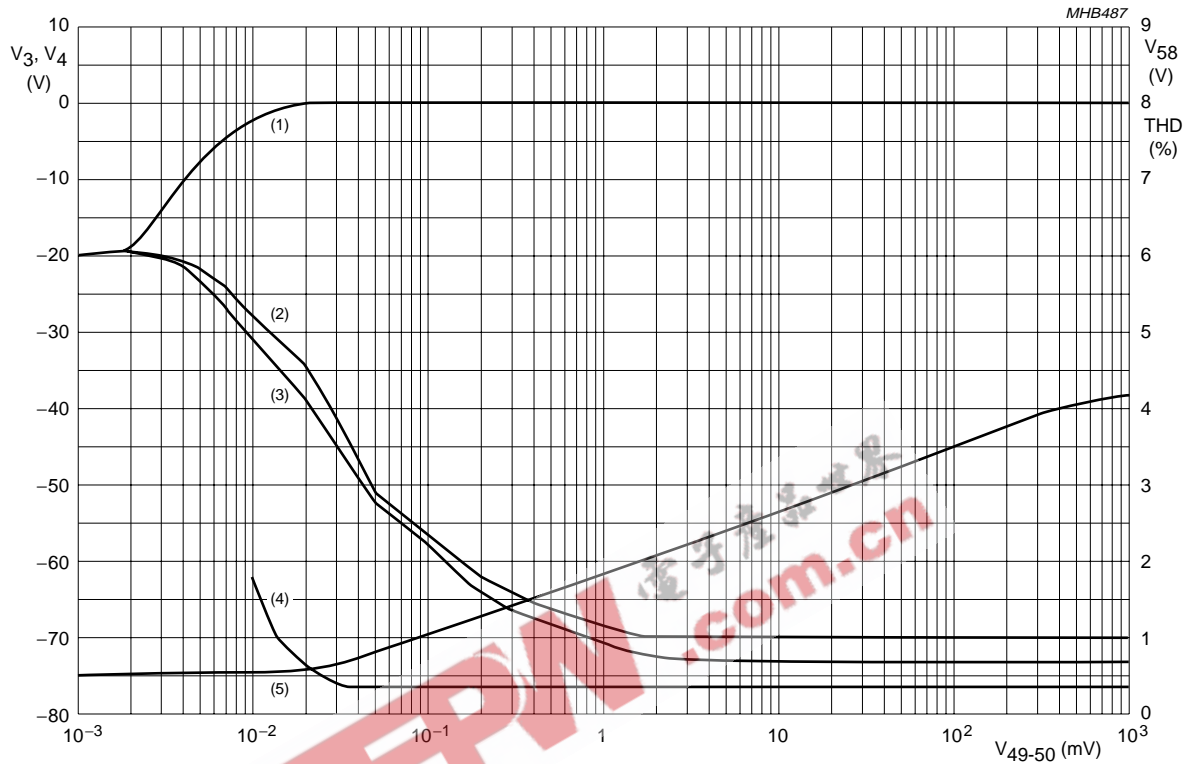
New In Car Entertainment (NICE) car radio

TEA6840H



New In Car Entertainment (NICE) car radio

TEA6840H



- (1) Output voltage for FMMPX and RDSMPX:  $f_{IF} = 10.7 \text{ MHz}$ ;  $\Delta f = 22.5 \text{ kHz}$ ;  $f_{mod} = 1 \text{ kHz}$ .
- (2) Noise: unweighted B = 250 Hz to 15 kHz with de-emphasis 50  $\mu\text{s}$  for FMMPX.
- (3) Noise: unweighted B = 250 Hz to 15 kHz with de-emphasis 50  $\mu\text{s}$  for RDSMPX.
- (4) THD for FMMPX and RDSMPX.
- (5) Level for standard setting of level DAA, byte 6 = 84H.

Fig.7 (S + N)/N, THD and level voltage for FM mode as a function of FM demodulator input voltage.

## New In Car Entertainment (NICE) car radio

## TEA6840H

**I<sup>2</sup>C-BUS AND I<sup>2</sup>C-BUS CONTROLLED FUNCTIONS****I<sup>2</sup>C-bus specification**

The standard I<sup>2</sup>C-bus specification is expanded by the following definitions.

- 1st chip address C2: 1100001  $\overline{R/\overline{W}}$
- 2nd chip address C0: 1100000  $\overline{R/\overline{W}}$ .

Structure of the I<sup>2</sup>C-bus logic: slave transceiver with auto increment.

Subaddresses are not used.

A second I<sup>2</sup>C-bus address can be selected by connecting pin 15 via a 68 k $\Omega$  resistor to GND.

Connecting pin 15 to  $V_{DDA1}$  via a 100 k $\Omega$  resistor or feeding 50  $\mu$ A into that pin switches the IC into the test mode.

**TEST MODE**

During test mode the digital-to-analog converters of the level and antenna DAA functions can be sequenced by the I<sup>2</sup>C-bus SCL line.

During test mode either the TEA6880H reference frequency, the PLL reference frequency divider or the programmable divider output can be switched to pin 15.

**DATA TRANSFER FOR THE TEA6840H**

Data sequence:

- Address
- Byte 1
- Byte 2
- Byte 3
- Byte 4
- Byte 5
- Byte 6.

The data transfer has to be in this order. The LSB = 0 indicates a WRITE operation to the TEA6840H. Bit 7 of each byte is considered the MSB and has to be transferred as the first bit of the byte.

The data becomes valid at the output of the internal latches with the acknowledge of each byte. A STOP condition after any byte can shorten transmission times.

When writing to the transceiver by using the STOP condition before completion of the whole transfer:

- The remaining bytes will contain the old information
- If the transfer of a byte is not completed, this byte is lost and the previous information is available.

In byte 5, 4 bits are reserved for test mode purposes. Those can only be used when the test mode is activated by the select pin 15.

**Hints:** When the IC is used together with the Car Analog Sound Processor IC (TEA6880H) and when the SCL and SDA lines are connected via Car Analog Sound Processor IC's I<sup>2</sup>C-bus buffer interface, the pull-up resistors of the tuner IC should be connected to the digital supply voltage of the TEA6880H. Otherwise a bus pull-down can occur switching off the tuner IC supply when the I<sup>2</sup>C-bus buffer interface of the TEA6880H is enabled for data transfer to the tuner IC.

For new frequency setting, in both AM and FM mode, the programmable divider is enabled by setting the mute bit (data byte 3 bit 7) to logic 1.

To select an FM frequency, two I<sup>2</sup>C-bus transmissions are necessary. First data byte 3 bit 7 = 1 and second data byte 3 bit 7 = 0.

**Default settings by power-on reset:** To be defined.

## New In Car Entertainment (NICE) car radio

## TEA6840H

**Table 1** Data to be received by the IC

DATA BYTE	BIT	DESCRIPTION	RESULT
1	0 to 6	define the setting of the programmable counter of the synthesizer PLL	
	7	start RDS update no RDS update started	bit 7 = 1 bit 7 = 0
2	0 to 7	define the setting of the programmable counter of the synthesizer PLL	
3	0 to 6	define the setting of the antenna DAA circuit	
	7	FM audio output muted; writing to programmable divider enabled for AM and FM FM audio output not muted	bit 7 = 1 bit 7 = 0
4	0	AM mode	bit 0 = 1
		FM mode	bit 0 = 0
	1 and 2	for FM mode: FM band and local/distance select for AM mode: division ratio N2 divider (AM band select) and switching for AM stereo	
	3	IF counter prescaler ratio = 10	bit 3 = 1
		IF counter prescaler ratio = 100	bit 3 = 0
	4	LSB for reference frequency for synthesizer	
	5	reference frequency for synthesizer	
	6	MSB for reference frequency for synthesizer	
7	IF counter period = 2 ms	bit 7 = 1	
	IF counter period = 20 ms	bit 7 = 0	
5	0 and 1	bits only valid in test mode; setting define output at pin 15	
		external clock for level and antenna DAA enabled (only valid in test mode) external clock for level and antenna DAA disabled (only valid in test mode)	bit 2 = 1 bit 2 = 0
	3	3-state active (only valid in test mode)	bit 3 = 1
		3-state off (only valid in test mode; charge pumps operational)	bit 3 = 0
	4	AM soft mute on	bit 4 = 1
		AM soft mute off	bit 4 = 0
	5	LSB for wide band AGC setting for AM and FM	
	6	MSB for wide band AGC setting for AM and FM	
7	keyed function on	bit 7 = 1	
	keyed function off	bit 7 = 0	
6	0	LSB for the definition of the level slope setting of the level DAA	
	1	definition of the level slope setting of the level DAA	
	2	MSB for the definition of the level slope setting of the level DAA	
	3	LSB for the definition of the starting point setting of the level DAA	
	4 to 6	definition of the starting point setting of the level DAA	
	7	MSB for the definition of the starting point setting of the level DAA	

## New In Car Entertainment (NICE) car radio

TEA6840H

**Table 2** Reference frequency setting in byte 4

BIT 4	BIT 5	BIT 6	FREQUENCY SETTING (kHz)
0	0	0	100
0	0	1	50
0	1	0	25
0	1	1	20
1	0	0	10
1	0	1	10
1	1	0	10
1	1	1	10

**Table 3** AM/FM setting in byte 4

BIT 0	BIT 1	BIT 2	DESCRIPTION
0	0	0	FM standard: dead zone high current charge pump active, FM AGC defined by RF level and threshold level setting by I <sup>2</sup> C-bus
0	1	0	FM local: dead zone high current charge pump active, FM AGC source current set to maximum
0	0	1	FM East Europe: dead zone high current charge pump switched off, current of low current charge pump set to 1 mA
0	1	1	FM weather band: division ratio N1 set to 1 and I and Q phase shift network switched on, WX flag signal activated
1	0	0	AM mono, N2 divider set to 5 (SW)
1	1	0	AM stereo, N2 divider set to 5 (SW)
1	0	1	AM mono, N2 divider set to 10 (LW, MW)
1	1	1	AM stereo, N2 divider set to 10 (LW, MW)

In AM mode dead zone high current charge pump switched off, current of low current charge pump set to 1 mA.

**Table 4** Test bits setting in byte 5

BIT 0	BIT 1	OUTPUT AT PIN 15
0	0	75.368 kHz TEA6880H reference frequency
0	1	PLL synthesizer reference frequency
1	0	tuner oscillator frequency divided by division ratio of programmable divider
1	1	not used (no output)

*Standard setting of the level DAA in byte 6*

Definition of the starting point of the level voltage: bit 7 = 1, bits 3 to 6 set to logic 0.

Definition of the slope of the level voltage: bit 2 = 1, bit 0 and bit 1 set to logic 0.

*Data to be transmitted by the IC*

Data byte 1 bits 0 to 7: output of the IF counter result.

## New In Car Entertainment (NICE) car radio

## TEA6840H

**I<sup>2</sup>C-BUS PROTOCOL****Table 5** Write mode

S <sup>(1)</sup>	CHIP ADDRESS (write)	A <sup>(2)</sup>	DATA BYTE(S)	A <sup>(2)</sup>	P <sup>(3)</sup>
------------------	----------------------	------------------	--------------	------------------	------------------

**Notes**

1. S = START condition.
2. A = acknowledge.
3. P = STOP condition.

**Table 6** Read mode

S <sup>(1)</sup>	CHIP ADDRESS (read)	A <sup>(2)</sup>	DATA BYTE 1
------------------	---------------------	------------------	-------------

**Notes**

1. S = START condition.
2. A = acknowledge.
3. P = STOP condition.

**Table 7** Chip address byte

CHIP ADDRESS							READ/WRITE
1	1	0	0	0	0	0/1 <sup>(1)</sup>	R/W <sup>(2)</sup>

**Notes**

1. Defined by address pin 15. Logic 1 = 1st chip address; logic 0 = 2nd chip address.
2. Logic 0 = write operation to TEA6840H; logic 1 = read operation from TEA6840H.

**Table 8** Read mode: 1st data byte

IF COUNTER RESULT							
IFC7	IFC6	IFC5	IFC4	IFC3	IFC2	IFC1	IFC0

**Table 9** Write mode: data byte 1

FUNCTION	SETTING OF PROGRAMMABLE COUNTER OF SYNTHESIZER PLL						
Logic 1 = start of RDS update	PCA6	PCA5	PCA4	PCA3	PCA2	PCA1	PCA0

**Table 10** Write mode: data byte 2

SETTING OF PROGRAMMABLE COUNTER OF SYNTHESIZER PLL							
PCB7	PCB6	PCB5	PCB4	PCB3	PCB2	PCB1	PCB0

**Table 11** Write mode: data byte 3

FUNCTION	SETTING OF ANTENNA DIGITAL AUTO ALIGNMENT						
Logic 1 = FM audio muted; writing to programmable divider enabled; logic 0 = FM audio not muted	DAA6	DAA5	DAA4	DAA3	DAA2	DAA1	DAA0

## New In Car Entertainment (NICE) car radio

## TEA6840H

**Table 12** Write mode: data byte 4

IF-COUNTER PERIOD	REFERENCE FREQUENCY FOR SYNTHESIZER			IF-COUNTER PRESCALE	FM MODE: BAND AND LOCAL/DISTANT SELECT; AM MODE: BAND AND AM STEREO SELECT		AM/FM SWITCH
	RFS2	RFS1	RFS0		logic 1: N2 = 10	logic 1 = AM stereo	
Logic 1 = 2 ms				logic 1: ratio = 10	logic 1: N2 = 10	logic 1 = AM stereo	logic 1 = AM mode
Logic 0 = 20 ms				logic 0: ratio = 100	logic 0: N2 = 5	logic 0 = AM mono	logic 0 = FM mode

**Table 13** Data byte 4; reference frequency setting; note 1

BIT 7	BIT 6	BIT 5	BIT 4	BIT 3	BIT 2	BIT 1	BIT 0	f <sub>ref</sub> (kHz)
X	0	0	0	X	X	X	X	100
X	1	0	0	X	X	X	X	50
X	0	1	0	X	X	X	X	25
X	1	1	0	X	X	X	X	20
X	0	0	1	X	X	X	X	10
X	1	0	1	X	X	X	X	10
X	0	1	1	X	X	X	X	10
X	1	1	1	X	X	X	X	10

**Note**

1. X = see Table 1.

**Table 14** Data byte 4 (FM mode); note 1

BIT 7	BIT 6	BIT 5	BIT 4	BIT 3	BIT 2	BIT 1	BIT 0	FM
X	X	X	X	X	0	0	0	standard
X	X	X	X	X	0	1	0	local
X	X	X	X	X	1	0	0	east europe
X	X	X	X	X	1	1	0	weather band

**Note**

1. X = see Table 1.

**Table 15** Data byte 4 (AM mode); note 1

BIT 7	BIT 6	BIT 5	BIT 4	BIT 3	BIT 2	BIT 1	BIT 0	AM
X	X	X	X	X	0	0	1	AM mono; N2 = 5 (SW)
X	X	X	X	X	0	1	1	AM stereo; N2 = 5 (SW)
X	X	X	X	X	1	0	1	AM mono; N2 = 10 (LW and MW)
X	X	X	X	X	1	1	1	AM stereo; N2 = 10 (LW and MW)

**Note**

1. X = see Table 1.



## New In Car Entertainment (NICE) car radio

## TEA6840H

**Table 16** Write mode: data byte 5

KEYED FM AGC	SETTING OF WIDE-BAND AGC FOR AM/FM		AM SOFT MUTE	IN TEST MODE CHARGE PUMP 3-STATE	IN TEST MODE EXTERNAL CLOCK FOR LEVEL AND ANTENNA DAA	IN TEST MODE SETTING OF PIN 15	
	WBA1	WBA0				TMS1	TMS0
Logic 1 = on	WBA1	WBA0	logic 1 = on (default)	logic 1 = 3-state on	logic 1 = external clock enabled	TMS1	TMS0
Logic 0 = off	WBA1	WBA0	logic 0 = off	logic 0 = 3-state off	logic 0 = external clock disabled	TMS1	TMS0

**Table 17** Data byte 5: setting of wide band AGC for AM; note 1

BIT 7	BIT 6	BIT 5	BIT 4	BIT 3	BIT 2	BIT 1	BIT 0	V <sub>32-33</sub> (mV) (peak)
X	0	0	X	X	X	X	X	375
X	0	1	X	X	X	X	X	500
X	1	0	X	X	X	X	X	625
X	1	1	X	X	X	X	X	750

**Note**

1. X = see Table 1.

**Table 18** Data byte 5: setting of wide band AGC for FM; note 1

BIT 7	BIT 6	BIT 5	BIT 4	BIT 3	BIT 2	BIT 1	BIT 0	V <sub>25-27</sub> (mV) (RMS)
X	1	1	X	X	X	X	X	4
X	1	0	X	X	X	X	X	8
X	0	1	X	X	X	X	X	12
X	0	0	X	X	X	X	X	16

**Note**

1. X = see Table 1.

**Table 19** Data byte 5: setting function of pin 15 in test mode; note 1

BIT 7	BIT 6	BIT 5	BIT 4	BIT 3	BIT 2	BIT 1	BIT 0	OUTPUT AT PIN 15
X	X	X	X	X	X	0	0	TEA6880H reference frequency
X	X	X	X	X	X	0	1	tuner oscillator frequency divided by division ratio of programmable divider
X	X	X	X	X	X	1	0	PLL synthesizer reference frequency
X	X	X	X	X	X	1	1	not used

**Note**

1. X = see Table 1.

## New In Car Entertainment (NICE) car radio

TEA6840H

**Table 20** Write mode: data byte 6

SETTING OF LEVEL DAA STARTING POINT					SETTING OF LEVEL DAA SLOPE		
LST4	LST3	LST2	LST1	LST0	LSL2	LSL1	LSL0

**Table 21** Data byte 6: standard setting

SETTING OF LEVEL DAA STARTING POINT					SETTING OF LEVEL DAA SLOPE		
LST4	LST3	LST2	LST1	LST0	LSL2	LSL1	LSL0
1	0	0	0	0	1	0	0

EEPW.com.cn 电子产品世界

New In Car Entertainment (NICE) car radio

TEA6840H

TEST CIRCUIT

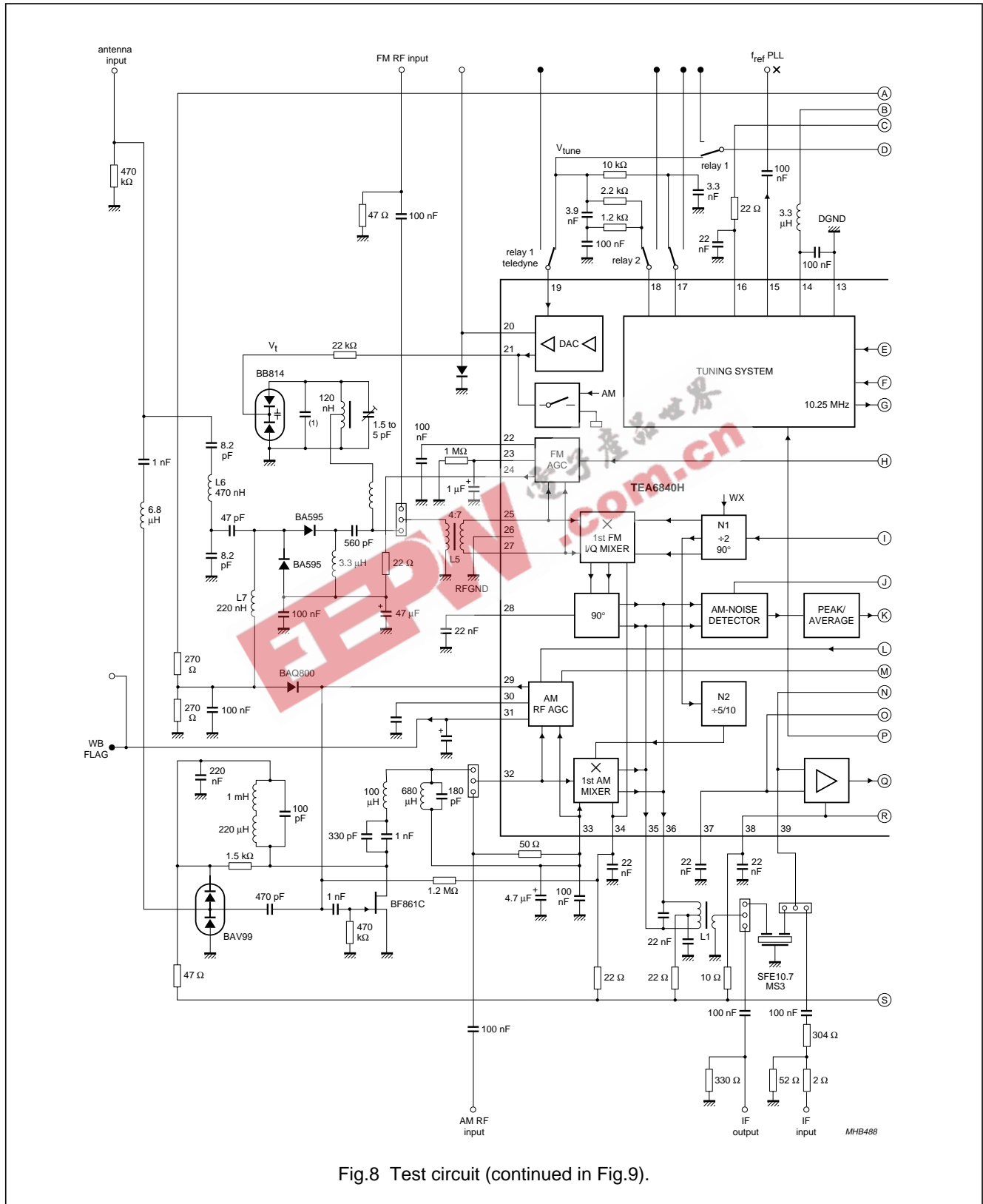
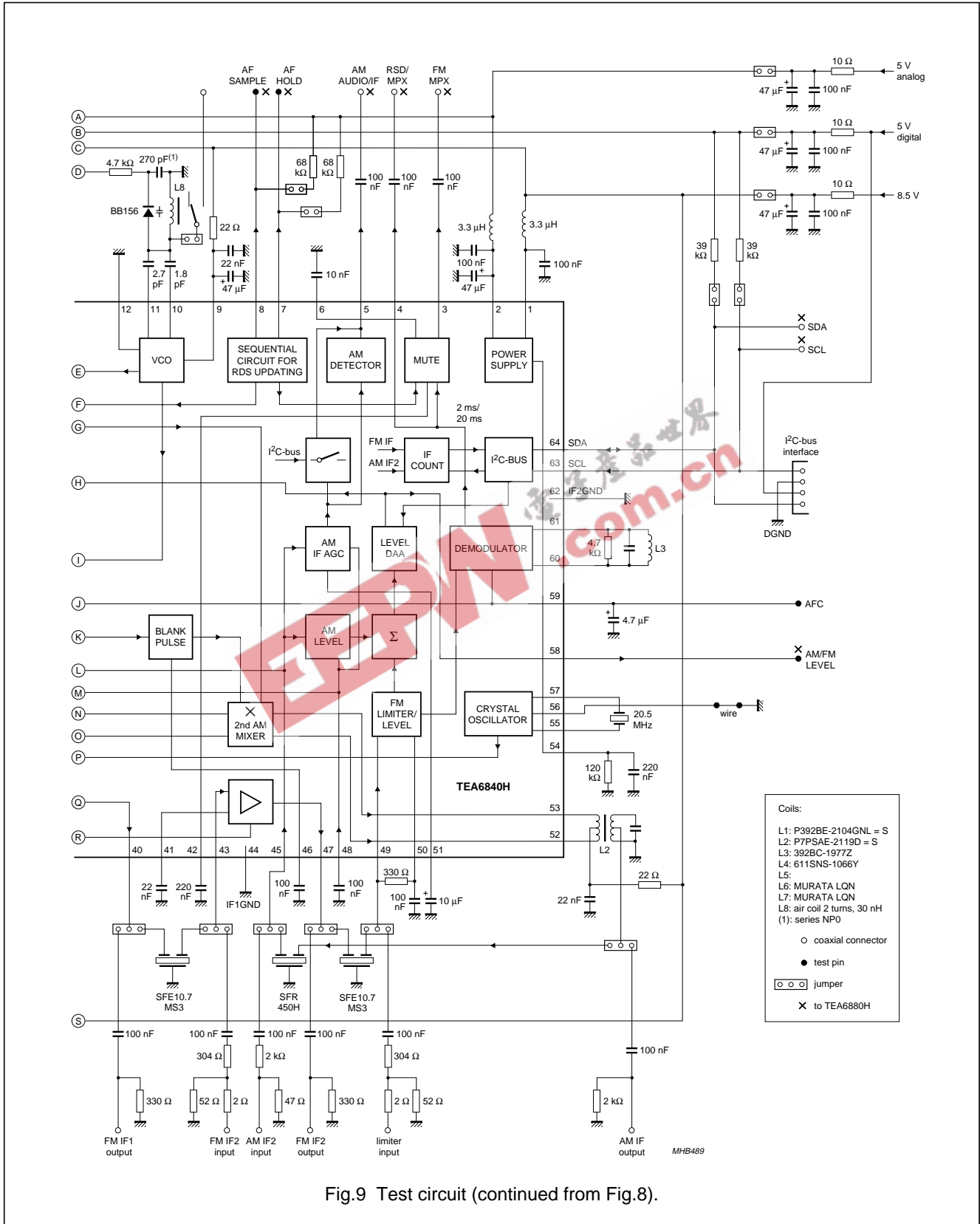


Fig.8 Test circuit (continued in Fig.9).

New In Car Entertainment (NICE) car radio

TEA6840H



## New In Car Entertainment (NICE) car radio

## TEA6840H

Table 22 DC operating points

SYMBOL	PIN	UNLOADED DC VOLTAGE (V)					
		AM			FM		
		MIN.	TYP.	MAX.	MIN.	TYP.	MAX.
V <sub>DDA1</sub>	1	external 8.5			external 8.5		
V <sub>DDA2</sub>	2	external 5			external 5		
FMMPX	3	floating			3	3.5	4
RDSMPX	4	floating			2.6	3.1	3.3
AMAFIF2	5	4	4.3	4.6	floating		
TRDSMUTE	6	1.9	2.2	2.5	0.7 (muted)	1.2 (muted)	1.7 (muted)
					5.2 (not muted)	5.7 (not muted)	6.2 (not muted)
AFHOLD	7	open-collector			open-collector		
AFSAMPLE	8	0	0.2	0.5	0	0.2	0.5
V <sub>DDA3</sub>	9	external 8.5			external 8.5		
OSCTNK	10	5	6.1	7.2	5	6.1	7.2
OSCFDB	11	2.2	2.8	3.4	2.2	2.8	3.4
VCOGND	12	external 0			external 0		
DGND	13	external 0			external 0		
V <sub>DDD</sub>	14	external 5			external 5		
f <sub>ref</sub>	15	3.2	3.4	3.7	3.2	3.4	3.7
V <sub>DDA4</sub>	16	external 8.5			external 8.5		
CPOUT	17	0	–	8.5	0	–	8.5
V <sub>tune</sub>	18	0	–	8.5	0	–	8.5
DAAIN	19	0	–	8.5	0	–	8.5
DAATD	20	floating			0.2	–	1.5
DAAOUT	21	–	0.2	0.3	0.2	–	8.25
T1FMAGC	22	floating			1	–	7
T2FMAGC	23	7.5	8	8.3	3.9	4.6	5.3
IFMAGC	24	floating			1.5 (external biasing)	–	4 (external biasing)
FMMIXIN1	25	1	1.3	1.6	2.3	2.8	3.3
RFGND	26	external 0			external 0		
FMMIXIN2	27	1	1.3	1.6	2.3	2.8	3.3
V <sub>ref(FMMIX1)</sub>	28	2.7	3.1	3.4	6.5	7.1	7.9
IAMAGC	29	open-collector			open-collector		
T2AMAGC	30	2.5	2.8	3.1	floating		
T1AMAGC	31	0	2.8	4.6	0 (no WX)	0.3 (no WX)	0.5 (no WX)
AMMIX1IN1	32	2.3	2.75	3.1	floating		
AMMIX1IN2	33	2.3	2.75	3.1	floating		
V <sub>DDA5</sub>	34	external 8.5			external 8.5		
MIX1OUT1	35	external 8.5			external 8.5		

## New In Car Entertainment (NICE) car radio

## TEA6840H

SYMBOL	PIN	UNLOADED DC VOLTAGE (V)					
		AM			FM		
		MIN.	TYP.	MAX.	MIN.	TYP.	MAX.
MIX1OUT2	36	external 8.5			external 8.5		
IFAMP1DEC	37	2.4	2.7	3	2.3	2.7	3.1
V <sub>DDA6</sub>	38	external 8.5			external 8.5		
IFAMP1IN	39	2.4	2.7	3	2.3	2.7	3.1
IFAMP1OUT	40	7.2	7.9	–	3.6	4	4.4
IFAMP2DEC	41	3	4	5	2.7	3.1	3.5
C <sub>offset</sub>	42	floating			3	3.5	4
IFAMP2IN	43	3	4	5	2.7	3.1	3.5
IF1GND	44	external 0			external 0		
AMIF2IN	45	2.4	2.7	3.2	floating		
AMNBHOLD	46	4.3	4.6	5.1	8	8.4	–
IFAMP2OUT	47	7.2	7.9	–	3.4	3.9	4.4
AMIF2DEC	48	2.4	2.7	3.2	floating		
FMLIMIN	49	2.5	3	3.5	2.5	2.8	3.1
FMLIMDEC	50	2.5	3	3.5	2.5	2.8	3.1
C <sub>AGC</sub>	51	3.6	4.3	4.8	4.1	4.6	5.1
AMMIX2OUT1	52	external 8.5			external 8.5		
AMMIX2OUT2	53	external 8.5			external 8.5		
I <sub>ref</sub>	54	4	4.25	4.5	4	4.25	4.5
XTAL1	55	1.7	2.1	2.5	1.7	2.1	2.5
XTALGND	56	external 0			external 0		
XTAL2	57	1.7	2.1	2.5	1.7	2.1	2.5
V <sub>level</sub>	58	0.05	–	7	0	–	7
C <sub>AFC</sub>	59	floating			1.2	3.4	4.1
QDET1	60	floating			3.6	4.1	4.6
QDET2	61	floating			3.6	4.1	4.6
IF2GND	62	external 0			external 0		
SCL	63	4.8	5	5.2	4.8	5	5.2
SDA	64	4.8	5	5.2	4.8	5	5.2

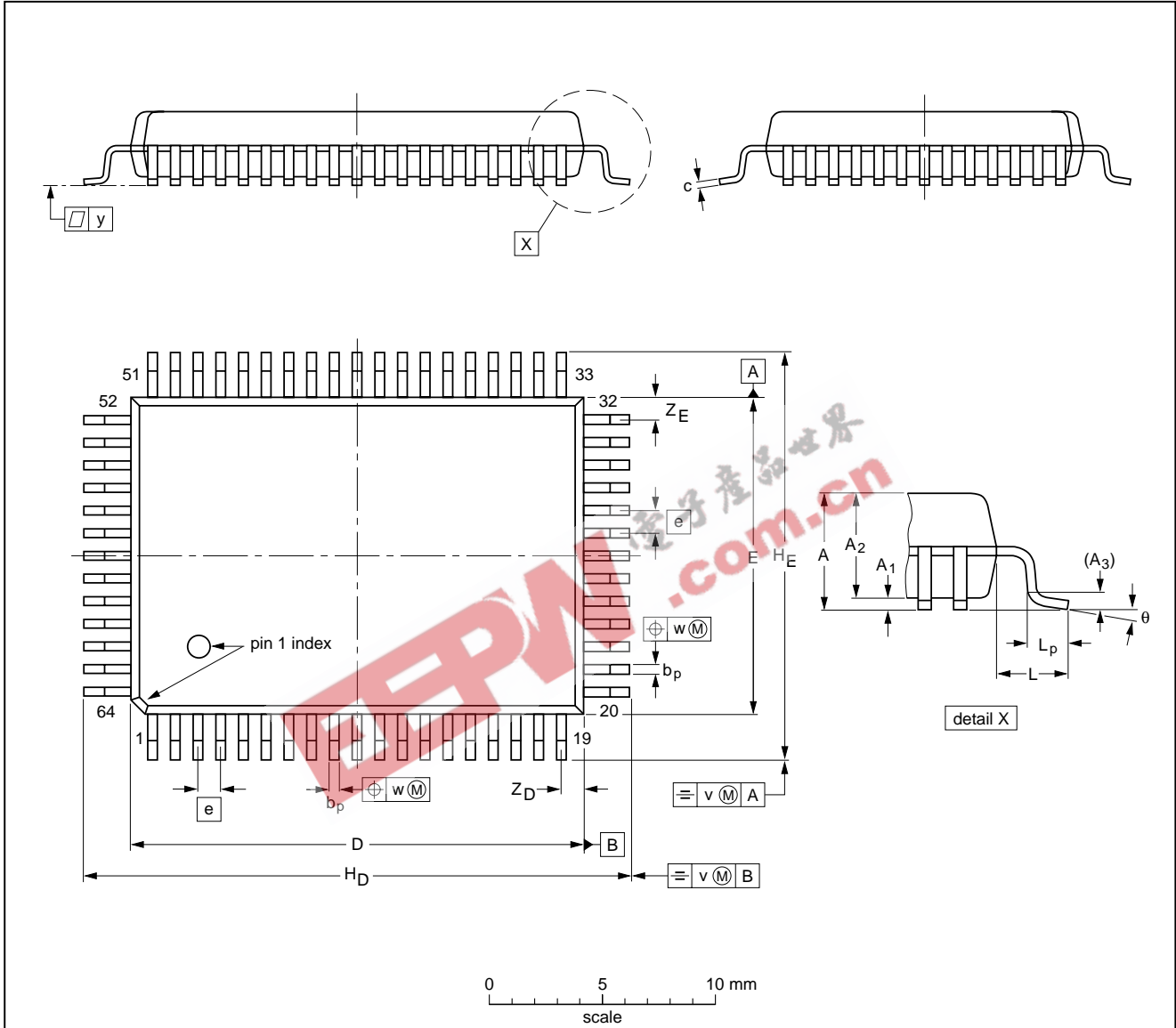
New In Car Entertainment (NICE) car radio

TEA6840H

PACKAGE OUTLINE

QFP64: plastic quad flat package; 64 leads (lead length 1.95 mm); body 14 x 20 x 2.8 mm

SOT319-2



DIMENSIONS (mm are the original dimensions)

UNIT	A <sub>max.</sub>	A <sub>1</sub>	A <sub>2</sub>	A <sub>3</sub>	b <sub>p</sub>	c	D <sup>(1)</sup>	E <sup>(1)</sup>	e	H <sub>D</sub>	H <sub>E</sub>	L	L <sub>p</sub>	v	w	y	Z <sub>D</sub> <sup>(1)</sup>	Z <sub>E</sub> <sup>(1)</sup>	θ
mm	3.20	0.25 0.05	2.90 2.65	0.25	0.50 0.35	0.25 0.14	20.1 19.9	14.1 13.9	1	24.2 23.6	18.2 17.6	1.95	1.0 0.6	0.2	0.2	0.1	1.2 0.8	1.2 0.8	7° 0°

Note

1. Plastic or metal protrusions of 0.25 mm maximum per side are not included.

OUTLINE VERSION	REFERENCES				EUROPEAN PROJECTION	ISSUE DATE
	IEC	JEDEC	EIAJ			
SOT319-2						95-02-04 97-08-01

## New In Car Entertainment (NICE) car radio

## TEA6840H

**SOLDERING****Introduction to soldering surface mount packages**

This text gives a very brief insight to a complex technology. A more in-depth account of soldering ICs can be found in our "Data Handbook IC26; Integrated Circuit Packages" (document order number 9398 652 90011).

There is no soldering method that is ideal for all surface mount IC packages. Wave soldering is not always suitable for surface mount ICs, or for printed-circuit boards with high population densities. In these situations reflow soldering is often used.

**Reflow soldering**

Reflow soldering requires solder paste (a suspension of fine solder particles, flux and binding agent) to be applied to the printed-circuit board by screen printing, stencilling or pressure-syringe dispensing before package placement.

Several methods exist for reflowing; for example, infrared/convection heating in a conveyor type oven. Throughput times (preheating, soldering and cooling) vary between 100 and 200 seconds depending on heating method.

Typical reflow peak temperatures range from 215 to 250 °C. The top-surface temperature of the packages should preferably be kept below 230 °C.

**Wave soldering**

Conventional single wave soldering is not recommended for surface mount devices (SMDs) or printed-circuit boards with a high component density, as solder bridging and non-wetting can present major problems.

To overcome these problems the double-wave soldering method was specifically developed.

If wave soldering is used the following conditions must be observed for optimal results:

- Use a double-wave soldering method comprising a turbulent wave with high upward pressure followed by a smooth laminar wave.
- For packages with leads on two sides and a pitch (e):
  - larger than or equal to 1.27 mm, the footprint longitudinal axis is **preferred** to be parallel to the transport direction of the printed-circuit board;
  - smaller than 1.27 mm, the footprint longitudinal axis **must** be parallel to the transport direction of the printed-circuit board.

The footprint must incorporate solder thieves at the downstream end.

- For packages with leads on four sides, the footprint must be placed at a 45° angle to the transport direction of the printed-circuit board. The footprint must incorporate solder thieves downstream and at the side corners.

During placement and before soldering, the package must be fixed with a droplet of adhesive. The adhesive can be applied by screen printing, pin transfer or syringe dispensing. The package can be soldered after the adhesive is cured.

Typical dwell time is 4 seconds at 250 °C.

A mildly-activated flux will eliminate the need for removal of corrosive residues in most applications.

**Manual soldering**

Fix the component by first soldering two diagonally-opposite end leads. Use a low voltage (24 V or less) soldering iron applied to the flat part of the lead. Contact time must be limited to 10 seconds at up to 300 °C.

When using a dedicated tool, all other leads can be soldered in one operation within 2 to 5 seconds between 270 and 320 °C.



New In Car Entertainment (NICE) car radio

TEA6840H

Suitability of surface mount IC packages for wave and reflow soldering methods

PACKAGE	SOLDERING METHOD	
	WAVE	REFLOW <sup>(1)</sup>
BGA, SQFP	not suitable	suitable
HLQFP, HSQFP, HSOP, HTSSOP, SMS	not suitable <sup>(2)</sup>	suitable
PLCC <sup>(3)</sup> , SO, SOJ	suitable	suitable
LQFP, QFP, TQFP	not recommended <sup>(3)(4)</sup>	suitable
SSOP, TSSOP, VSO	not recommended <sup>(5)</sup>	suitable

Notes

1. All surface mount (SMD) packages are moisture sensitive. Depending upon the moisture content, the maximum temperature (with respect to time) and body size of the package, there is a risk that internal or external package cracks may occur due to vaporization of the moisture in them (the so called popcorn effect). For details, refer to the Drypack information in the *"Data Handbook IC26; Integrated Circuit Packages; Section: Packing Methods"*.
2. These packages are not suitable for wave soldering as a solder joint between the printed-circuit board and heatsink (at bottom version) can not be achieved, and as solder may stick to the heatsink (on top version).
3. If wave soldering is considered, then the package must be placed at a 45° angle to the solder wave direction. The package footprint must incorporate solder thieves downstream and at the side corners.
4. Wave soldering is only suitable for LQFP, TQFP and QFP packages with a pitch (e) equal to or larger than 0.8 mm; it is definitely not suitable for packages with a pitch (e) equal to or smaller than 0.65 mm.
5. Wave soldering is only suitable for SSOP and TSSOP packages with a pitch (e) equal to or larger than 0.65 mm; it is definitely not suitable for packages with a pitch (e) equal to or smaller than 0.5 mm.

New In Car Entertainment (NICE) car radio

TEA6840H

**DEFINITIONS**

<b>Data sheet status</b>	
Objective specification	This data sheet contains target or goal specifications for product development.
Preliminary specification	This data sheet contains preliminary data; supplementary data may be published later.
Product specification	This data sheet contains final product specifications.
<b>Limiting values</b>	
Limiting values given are in accordance with the Absolute Maximum Rating System (IEC 134). Stress above one or more of the limiting values may cause permanent damage to the device. These are stress ratings only and operation of the device at these or at any other conditions above those given in the Characteristics sections of the specification is not implied. Exposure to limiting values for extended periods may affect device reliability.	
<b>Application information</b>	
Where application information is given, it is advisory and does not form part of the specification.	

**LIFE SUPPORT APPLICATIONS**

These products are not designed for use in life support appliances, devices, or systems where malfunction of these products can reasonably be expected to result in personal injury. Philips customers using or selling these products for use in such applications do so at their own risk and agree to fully indemnify Philips for any damages resulting from such improper use or sale.

**PURCHASE OF PHILIPS I<sup>2</sup>C COMPONENTS**



Purchase of Philips I<sup>2</sup>C components conveys a license under the Philips' I<sup>2</sup>C patent to use the components in the I<sup>2</sup>C system provided the system conforms to the I<sup>2</sup>C specification defined by Philips. This specification can be ordered using the code 9398 393 40011.

---

New In Car Entertainment (NICE) car radio

TEA6840H

---

NOTES



# Philips Semiconductors – a worldwide company

**Argentina:** see South America

**Australia:** 3 Figtree Drive, HOMEBUSH, NSW 2140,  
Tel. +61 2 9704 8141, Fax. +61 2 9704 8139

**Austria:** Computerstr. 6, A-1101 WIEN, P.O. Box 213,  
Tel. +43 1 60 101 1248, Fax. +43 1 60 101 1210

**Belarus:** Hotel Minsk Business Center, Bld. 3, r. 1211, Volodarski Str. 6,  
220050 MINSK, Tel. +375 172 20 0733, Fax. +375 172 20 0773

**Belgium:** see The Netherlands

**Brazil:** see South America

**Bulgaria:** Philips Bulgaria Ltd., Energoproject, 15th floor,  
51 James Bourchier Blvd., 1407 SOFIA,  
Tel. +359 2 68 9211, Fax. +359 2 68 9102

**Canada:** PHILIPS SEMICONDUCTORS/COMPONENTS,  
Tel. +1 800 234 7381, Fax. +1 800 943 0087

**China/Hong Kong:** 501 Hong Kong Industrial Technology Centre,  
72 Tat Chee Avenue, Kowloon Tong, HONG KONG,  
Tel. +852 2319 7888, Fax. +852 2319 7700

**Colombia:** see South America

**Czech Republic:** see Austria

**Denmark:** Sydhavnsgade 23, 1780 COPENHAGEN V,  
Tel. +45 33 29 3333, Fax. +45 33 29 3905

**Finland:** Sinikalliontie 3, FIN-02630 ESPOO,  
Tel. +358 9 615 800, Fax. +358 9 6158 0920

**France:** 51 Rue Carnot, BP317, 92156 SURESNES Cedex,  
Tel. +33 1 4099 6161, Fax. +33 1 4099 6427

**Germany:** Hammerbrookstraße 69, D-20097 HAMBURG,  
Tel. +49 40 2353 60, Fax. +49 40 2353 6300

**Hungary:** see Austria

**India:** Philips INDIA Ltd, Band Box Building, 2nd floor,  
254-D, Dr. Annie Besant Road, Worli, MUMBAI 400 025,  
Tel. +91 22 493 8541, Fax. +91 22 493 0966

**Indonesia:** PT Philips Development Corporation, Semiconductors Division,  
Gedung Philips, Jl. Buncit Raya Kav.99-100, JAKARTA 12510,  
Tel. +62 21 794 0040 ext. 2501, Fax. +62 21 794 0080

**Ireland:** Newstead, Clonskeagh, DUBLIN 14,  
Tel. +353 1 7640 000, Fax. +353 1 7640 200

**Israel:** RAPAC Electronics, 7 Kehilat Saloniki St, PO Box 18053,  
TEL AVIV 61180, Tel. +972 3 645 0444, Fax. +972 3 649 1007

**Italy:** PHILIPS SEMICONDUCTORS, Via Casati, 23 - 20052 MONZA (MI),  
Tel. +39 039 203 6838, Fax +39 039 203 6800

**Japan:** Philips Bldg 13-37, Kohnan 2-chome, Minato-ku,  
TOKYO 108-8507, Tel. +81 3 3740 5130, Fax. +81 3 3740 5057

**Korea:** Philips House, 260-199 Itaewon-dong, Yongsan-ku, SEOUL,  
Tel. +82 2 709 1412, Fax. +82 2 709 1415

**Malaysia:** No. 76 Jalan Universiti, 46200 PETALING JAYA, SELANGOR,  
Tel. +60 3 750 5214, Fax. +60 3 757 4880

**Mexico:** 5900 Gateway East, Suite 200, EL PASO, TEXAS 79905,  
Tel. +9-5 800 234 7381, Fax +9-5 800 943 0087

**Middle East:** see Italy

**Netherlands:** Postbus 90050, 5600 PB EINDHOVEN, Bldg. VB,  
Tel. +31 40 27 82785, Fax. +31 40 27 88399

**New Zealand:** 2 Wagener Place, C.P.O. Box 1041, AUCKLAND,  
Tel. +64 9 849 4160, Fax. +64 9 849 7811

**Norway:** Box 1, Manglerud 0612, OSLO,  
Tel. +47 22 74 8000, Fax. +47 22 74 8341

**Pakistan:** see Singapore

**Philippines:** Philips Semiconductors Philippines Inc.,  
106 Valero St. Salcedo Village, P.O. Box 2108 MCC, MAKATI,  
Metro MANILA, Tel. +63 2 816 6380, Fax. +63 2 817 3474

**Poland:** Ul. Lukiska 10, PL 04-123 WARSZAWA,  
Tel. +48 22 612 2831, Fax. +48 22 612 2327

**Portugal:** see Spain

**Romania:** see Italy

**Russia:** Philips Russia, Ul. Usatcheva 35A, 119048 MOSCOW,  
Tel. +7 095 755 6918, Fax. +7 095 755 6919

**Singapore:** Lorong 1, Toa Payoh, SINGAPORE 319762,  
Tel. +65 350 2538, Fax. +65 251 6500

**Slovakia:** see Austria

**Slovenia:** see Italy

**South Africa:** S.A. PHILIPS Pty Ltd., 195-215 Main Road Martindale,  
2092 JOHANNESBURG, P.O. Box 58088 Newville 2114,  
Tel. +27 11 471 5401, Fax. +27 11 471 5398

**South America:** Al. Vicente Pinzon, 173, 6th floor,  
04547-130 SÃO PAULO, SP, Brazil,  
Tel. +55 11 821 2333, Fax. +55 11 821 2382

**Spain:** Balmes 22, 08007 BARCELONA,  
Tel. +34 93 301 6312, Fax. +34 93 301 4107

**Sweden:** Kottbygatan 7, Akalla, S-16485 STOCKHOLM,  
Tel. +46 8 5985 2000, Fax. +46 8 5985 2745

**Switzerland:** Allmendstrasse 140, CH-8027 ZÜRICH,  
Tel. +41 1 488 2741 Fax. +41 1 488 3263

**Taiwan:** Philips Semiconductors, 6F, No. 96, Chien Kuo N. Rd., Sec. 1,  
TAIPEI, Taiwan Tel. +886 2 2134 2886, Fax. +886 2 2134 2874

**Thailand:** PHILIPS ELECTRONICS (THAILAND) Ltd.,  
209/2 Sanpavuth-Bangna Road Prakanong, BANGKOK 10260,  
Tel. +66 2 745 4090, Fax. +66 2 398 0793

**Turkey:** Yukari Dudullu, Org. San. Blg., 2.Cad. Nr. 28 81260 Umraniye,  
ISTANBUL, Tel. +90 216 522 1500, Fax. +90 216 522 1813

**Ukraine:** PHILIPS UKRAINE, 4 Patrice Lumumba str., Building B, Floor 7,  
252042 KIEV, Tel. +380 44 264 2776, Fax. +380 44 268 0461

**United Kingdom:** Philips Semiconductors Ltd., 276 Bath Road, Hayes,  
MIDDLESEX UB3 5BX, Tel. +44 208 730 5000, Fax. +44 208 754 8421

**United States:** 811 East Arques Avenue, SUNNYVALE, CA 94088-3409,  
Tel. +1 800 234 7381, Fax. +1 800 943 0087

**Uruguay:** see South America

**Vietnam:** see Singapore

**Yugoslavia:** PHILIPS, Trg N. Pasica 5/v, 11000 BEOGRAD,  
Tel. +381 11 62 5344, Fax. +381 11 63 5777

**For all other countries apply to:** Philips Semiconductors,  
International Marketing & Sales Communications, Building BE-p, P.O. Box 218,  
5600 MD EINDHOVEN, The Netherlands, Fax. +31 40 27 24825

**Internet:** <http://www.semiconductors.philips.com>

© Philips Electronics N.V. 1999

SCA67

All rights are reserved. Reproduction in whole or in part is prohibited without the prior written consent of the copyright owner.

The information presented in this document does not form part of any quotation or contract, is believed to be accurate and reliable and may be changed without notice. No liability will be accepted by the publisher for any consequence of its use. Publication thereof does not convey nor imply any license under patent- or other industrial or intellectual property rights.

Printed in The Netherlands

545002/30/01/pp44

Date of release: 1999 Jul 12

Document order number: 9397 750 04773

*Let's make things better.*

**Philips**  
Semiconductors



**PHILIPS**