

Tiny Integrated Temperature Sensor & Brushless DC Fan Controller with Over-Temperature Alert

Features

- Integrated Temperature Sensing and Multi-speed Fan Control
- Built-in Over Temperature Alert (T_{OVER})
- Temperature Proportional Fan Speed Control for Acoustic Noise Reduction and Longer Fan Life
- Pulse Width Modulation Output Drive for Cost and Power Savings
- Solid-State Temperature Sensing
- $\pm 1^\circ\text{C}$ (Typical) Accuracy from 25°C to $+70^\circ\text{C}$
- 2.8V – 5.5V Operating Range
- TC651 includes Auto Fan Shutdown
- Low Operating Current: 50 μA (Typical)

Applications

- Thermal Protection For Personal Computers
- Digital Set-Top Boxes
- Notebook Computers
- Data Communications
- Power Supplies
- Projectors

Related Literature

- Application Note: AN771

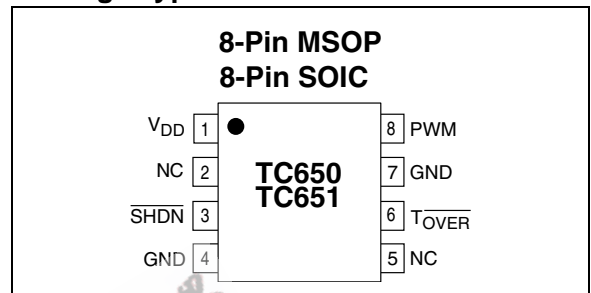
Device Selection Table

| Part Number | Package | Temperature Range |
|-------------|------------|-------------------|
| TC650XXVUA | 8-Pin SOIC | -40°C to +125°C |
| TC651XXVUA | 8-Pin MSOP | -40°C to +125°C |

| X | Temperature |
|---|-------------|
| A | 25 |
| B | 30 |
| C | 35 |
| D | 40 |
| E | 45 |
| F | 50 |
| G | 55 |

The "X" denotes a suffix for temperature threshold settings. Contact factory for other temperature ranges.

Package Type



General Description

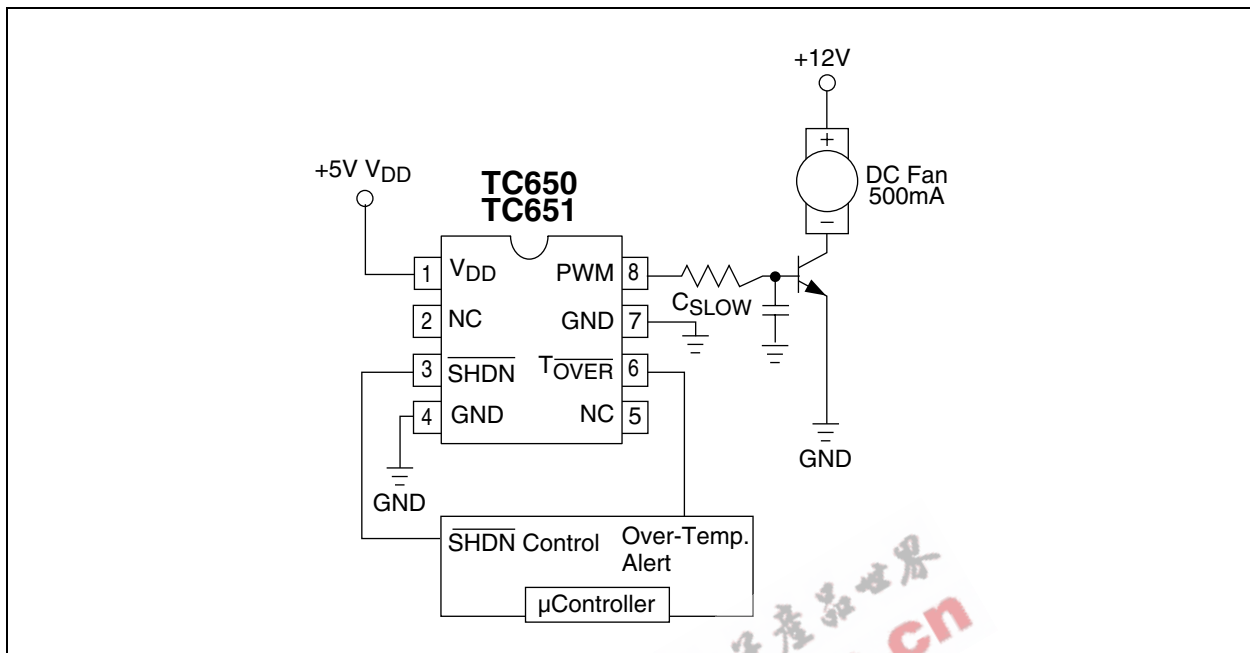
The TC650/TC651 are integrated temperature sensors and brushless DC fan speed controllers. The TC650/TC651 measure their junction temperature and control the speed of the fan based on that temperature, making them especially suited for applications in modern electronic equipment.

Temperature data is converted from the on-chip thermal sensing element and translated into a fractional fan speed from 40% to 100%. A temperature selection guide in the data sheet is used to choose the low and high temperature limits to control the fan. The TC650/TC651 also include a single trip point over temperature alert (T_{OVER}) that eliminates the need for additional temperature sensors. In addition, the TC651 features an auto fan shutdown function for additional power savings.

The TC650/TC651 are easy to use, require no software overhead and are therefore the ideal choice for implementing thermal management in a variety of systems.

TC650/TC651

Typical Application Diagram



TC650/TC651

1.0 ELECTRICAL CHARACTERISTICS

Absolute Maximum Ratings*

| | |
|--|------------------------------------|
| Input Voltage (V_{DD} to GND) | +6V |
| Output Voltage (OUT to GND) | 6V |
| Voltage On Any Pin | (GND – 0.3V) to (V_{DD} + 0.3V) |
| Package Thermal Resistance (θ_{JA}) | 250°C/W |
| Operating Temperature Range | -40°C to +125°C |
| Storage Temperature | -65°C to +150°C |

*Stresses above those listed under "Absolute Maximum Ratings" may cause permanent damage to the device. These are stress ratings only and functional operation of the device at these or any other conditions above those indicated in the operation sections of the specifications is not implied. Exposure to Absolute Maximum Rating conditions for extended periods may affect device reliability.

TC650/TC651 ELECTRICAL SPECIFICATIONS

| Electrical Characteristics: $V_{DD} = 2.8V$ to $5.5V$, $\overline{SHDN} = V_{DD}$, $T_A = -40^\circ C$ to $125^\circ C$ unless otherwise specified. | | | | | | |
|---|--------------------------------|----------------|-----------------|-----------|------------|---|
| Symbol | Parameter | Min | Typ. | Max | Units | Test Conditions |
| V_{DD} | Supply Voltage | 2.8 | — | 5.5 | V | |
| I_{DD} | Supply Current | — | 50 | 90 | μA | PWM, T_{OVER} are open |
| SHDN Input | | | | | | |
| V_{IH} | SHDN Input High Threshold | 65 | — | — | % V_{DD} | |
| V_{IL} | SHDN Input Low Threshold | — | — | 15 | % V_{DD} | |
| PWM Output | | | | | | |
| V_{OL} | PWM Output Low Voltage | — | — | 0.3 | V | $I_{SINK} = 1mA$ |
| V_{OH} | PWM Output High Voltage | $V_{DD} - 0.5$ | — | — | V | $I_{SOURCE} = 5mA$ |
| t_R | PWM Rise Time | — | 10 | — | μsec | $I_{OH} = 5mA$, 1nF from PWM to GND |
| t_F | PWM Fall Time | — | 10 | — | μsec | $I_{OL} = 1mA$, 1nF from PWM to GND |
| f_{OUT} | PWM Frequency | 10 | 15 | — | Hz | |
| $t_{STARTUP}$ | Start-up Time | — | $32/f_{OUT}$ | — | sec | V_{DD} Rises from GND, or SHDN Released |
| Temperature Accuracy | | | | | | |
| $T_{H ACC}$ | High Temperature Accuracy | $T_H - 3$ | T_H | $T_H + 3$ | $^\circ C$ | Note 1 |
| $(T_H - T_L)_{ACC}$ | Temp. Range Accuracy | -1.0 | — | +1.0 | $^\circ C$ | $(T_H - T_L) \leq 20^\circ C$ |
| | | -2.5 | — | +2.5 | $^\circ C$ | $(T_H - T_L) \geq 20^\circ C$ |
| T_{HYST} | Auto-shutdown Hysteresis | — | $(T_H - T_L)/5$ | — | $^\circ C$ | TC651 Only |
| T_{OVER} Output | | | | | | |
| V_{HIGH} | T_{OVER} Output High Voltage | $V_{DD} - 0.5$ | — | — | V | $I_{SOURCE} = 1.2mA$ |
| V_{LOW} | T_{OVER} Output Low Voltage | — | — | 0.4 | V | $I_{SINK} = 2.5mA$ |
| $T_{OVER ACC}$ | Absolute Accuracy | — | $T_H + 10$ | — | $^\circ C$ | At Trip Point |
| $T_{OVER HYST}$ | Trip Point Hysteresis | — | 5 | — | $^\circ C$ | |

Note 1: Transition from 90% to 100% Duty Cycle.

TC650/TC651

2.0 PIN DESCRIPTIONS

The descriptions of the pins are listed in Table 2-1.

TABLE 2-1: PIN FUNCTION TABLE

| Pin No. (8-Pin MSOP) (8-Pin SOIC) | Symbol | Description |
|---|-------------------|---|
| 1 | V _{DD} | Power Supply Input. May be independent of fan power supply. |
| 2 | NC | No Internal Connect. |
| 3 | SHDN | Fan Shutdown, Active-Low Input. During Shutdown mode the chip still monitors temperature and T _{OVER} is low if temperature rises above factory set point. |
| 4 | GND | Ground. Ground return for all TC650/TC651 functions. |
| 5 | NC | No Connect. |
| 6 | T _{OVER} | Over-Temperature Alert, Active-Low Output. |
| 7 | GND | Ground. |
| 8 | PWM | PWM Fan Drive Output. Pulse width modulated rail-to-rail logic output. Nominal Frequency is 15Hz. |

EEPW 电子产品世界
.com.cn

3.0 DETAILED DESCRIPTION

The TC650/TC651 acquire and convert their junction temperature (T_J) information from an on-chip solid-state sensor with a typical accuracy of $\pm 1^\circ\text{C}$. The temperature data is digitally stored in an internal register. The register is compared with pre-defined threshold values. The six threshold values are equally distributed over a pre-defined range of temperatures (see Table 3-1 and Table 3-2). The TC650/TC651 control the speed of a DC brushless fan using a fractional speed control scheme. The output stage requires only a 2N2222-type small-signal BJT for fans up to 300mA. For larger current fans (up to 1 Amp) a logic-level N-channel MOSFET may be used. In addition to controlling the speed of the fan, the TC650/TC651 include an on-chip over-temperature alarm (T_{OVER}) that gives a low signal when the temperature of the chip exceeds T_H by 10°C , (typical). This feature eliminates the need for a separate temperature sensor for over-temperature monitoring.

TABLE 3-1: TEMPERATURE RANGE DEFINITION FOR TC650 (MINIMUM-SPEED MODE)

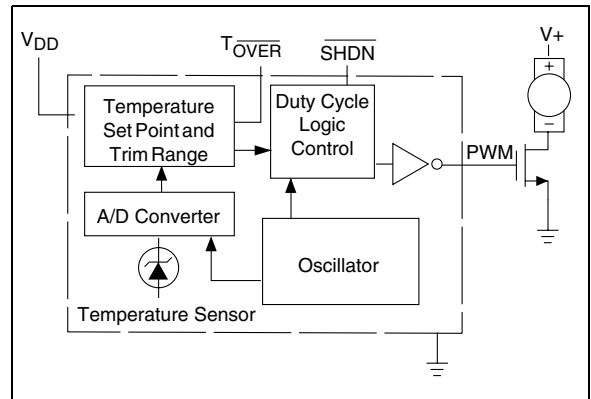
| Temperature ($T = T_J$) | PWM Duty Cycle |
|---------------------------|---|
| $T < T_L$ | 40% |
| $T_L \leq T < T_1$ | 50% |
| $T_1 \leq T < T_2$ | 60% |
| $T_2 \leq T < T_3$ | 70% |
| $T_3 \leq T < T_4$ | 80% |
| $T_4 \leq T < T_H$ | 90% |
| $T_H \leq T < T_{OV}$ | 100% |
| $T_{OV} \leq T$ | 100% with Over Temp Alert ($T_{\text{OVER}} = L$) |

TABLE 3-2: TEMPERATURE RANGE DEFINITION FOR TC651 (AUTO-SHUTDOWN MODE)

| Temperature ($T = T_J$) | PWM Duty Cycle |
|---------------------------|---|
| $T < T_L$ | "OFF" |
| $T_L \leq T < T_1$ | 50% |
| $T_1 \leq T < T_2$ | 60% |
| $T_2 \leq T < T_3$ | 70% |
| $T_3 \leq T < T_4$ | 80% |
| $T_4 \leq T < T_H$ | 90% |
| $T_H \leq T < T_{OV}$ | 100% |
| $T_{OV} \leq T$ | 100% with Over-Temp Alert ($T_{\text{OVER}} = L$) |

Note: The temperature regions defined by the six temperature thresholds are pre-defined in the TC650/TC651 by means of trimming. Once a T_L and T_H are programmed, the $T_1 - T_4$ thresholds are automatically equally spaced between T_L and T_H .

FIGURE 3-1: FUNCTIONAL BLOCK DIAGRAM



3.1 PWM Output

The PWM pin is designed to drive a low cost transistor or MOSFET as the low side power switching element in the system. This output has an asymmetric complementary drive and is optimized for driving NPN transistors or N-channel MOSFETs. Since the system relies on PWM rather than linear power control, the dissipation in the power switch is kept to a minimum. Generally, very small devices (TO-92 or SOT packages) will suffice. The frequency of the PWM is about 15Hz. The PWM is also the time base for the Start-up Timer (see paragraphs below). The PWM duty cycle has a range of 40% to 100% for the TC650 and 50% to 100% for the TC651.

3.2 Start-Up Timer

To ensure reliable fan start-up, the Start-up Timer turns PWM high for about 2 seconds whenever the fan is started from the off state. This occurs at power-up and when coming out of Shutdown mode.

3.3 Over-Temperature Alert (T_{OVER})

This pin goes low when the T_H set point is exceeded by 10°C (typical). This indicates that the fan is at maximum drive and the potential exists for system overheating; either heat dissipation in the system has gone beyond the cooling system's design limits, or some FAULT exists such as fan bearing failure or an airflow obstruction. This output may be treated as a "System Overheat" warning and used to trigger system shutdown, or bring other fans to full speed in the system. The fan will continue to run at 100% speed while T_{OVER} is asserted. Built-in hysteresis prevents T_{OVER} from "chattering" when measured temperature is at or near the $T_H + 10^\circ\text{C}$ trip point. As temperature falls through the $T_H + 10^\circ\text{C}$ trip point, hysteresis maintains the T_{OVER} output low until measured temperature is 5°C above the trip point setting.

TC650/TC651

3.4 Shutdown ($\overline{\text{SHDN}}$)

The fan can be unconditionally shutdown by pulling low the $\overline{\text{SHDN}}$ pin. During shutdown, the PWM output is low. This is ideal for notebook computers and other portable applications when you need to change batteries and must not have the fan running at that time. Thermal monitoring and T_{OVER} are still in operation during shutdown. I_{DD} shutdown current is around 50 μA .

3.5 Auto-Shutdown Mode

The TC651 features auto-shutdown; when the temperature is below the factory set point at minimum speed (T_L), PWM is low and the fan is automatically shut off (Auto-shutdown mode). This feature is ideal for notebook computers and other portable equipment that need to conserve as much battery power as possible and thus run a fan when it is only absolutely needed. The TC651 will continue to be active so as to monitor temperature for T_{over} . The TC651 exits Auto-shutdown mode when the temperature rises above the factory set point (T_1).

3.6 Temperature Selection Guide (Minimum Fan Speed/Full Speed)

The five temperature regions defined by the six thresholds are defined in the TC650/TC651 by means of factory trimming. Once a T_L and T_H are set, the $T_1 - T_4$ thresholds are automatically equally spaced between T_L and T_H .

| Temp. Range | T_L | T_H | Part # |
|-------------|-----------|-----------|--------|
| 10°C | 25 | 35 | AC |
| | 30 | 40 | BD |
| | 35 | 45 | CE |
| 15°C | 25 | 40 | AD |
| | 30 | 45 | BE |
| | 35 | 50 | CF |
| 20°C | 25 | 45 | AE |
| | 30 | 50 | BF |
| | 35 | 55 | CG |
| 30°C | 25 | 55 | AG |

Note: The **Bold Type** temperature settings are available for ordering. Contact factory for other temperature selections.

T_L and T_H can be selected in 5°C increments. T_H must be chosen at least 10°C higher than T_L . T_L can range anywhere from 25°C to 35°C.

As an example, suppose you wanted the fan to **run at 40% speed at 25°C** or less and go to **full speed at 45°C**. You would order the part number TC650AEVUA.

As another example, suppose you wanted the fan to **turn on at 30°C** and go to **full speed at 45°C**. You would order the part number TC651BEVUA.

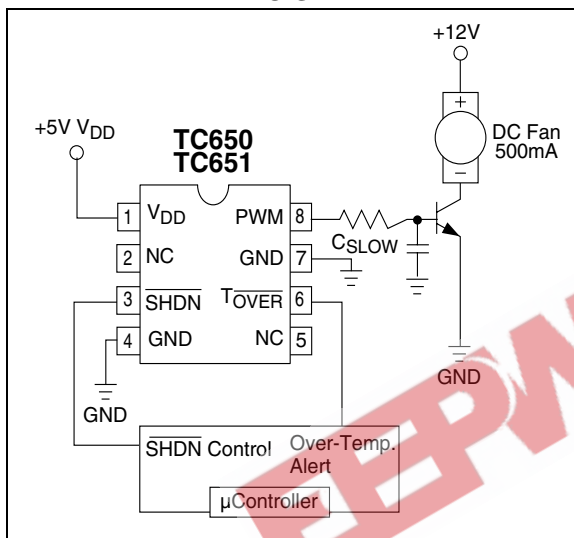
4.0 TYPICAL APPLICATIONS

4.1 Reducing Switching Noise

For fans consuming more than 300mA, a slowdown capacitor (C_{SLOW}) is recommended for reducing switching PWM induced noise (see Figure 4-1). The value of this capacitor should be 4.7 μ F to 47 μ F, depending on the fan current consumption.

See Application Note AN771 “Suppressing Acoustic Noise in PWM Fan Speed Control Systems” for more information.

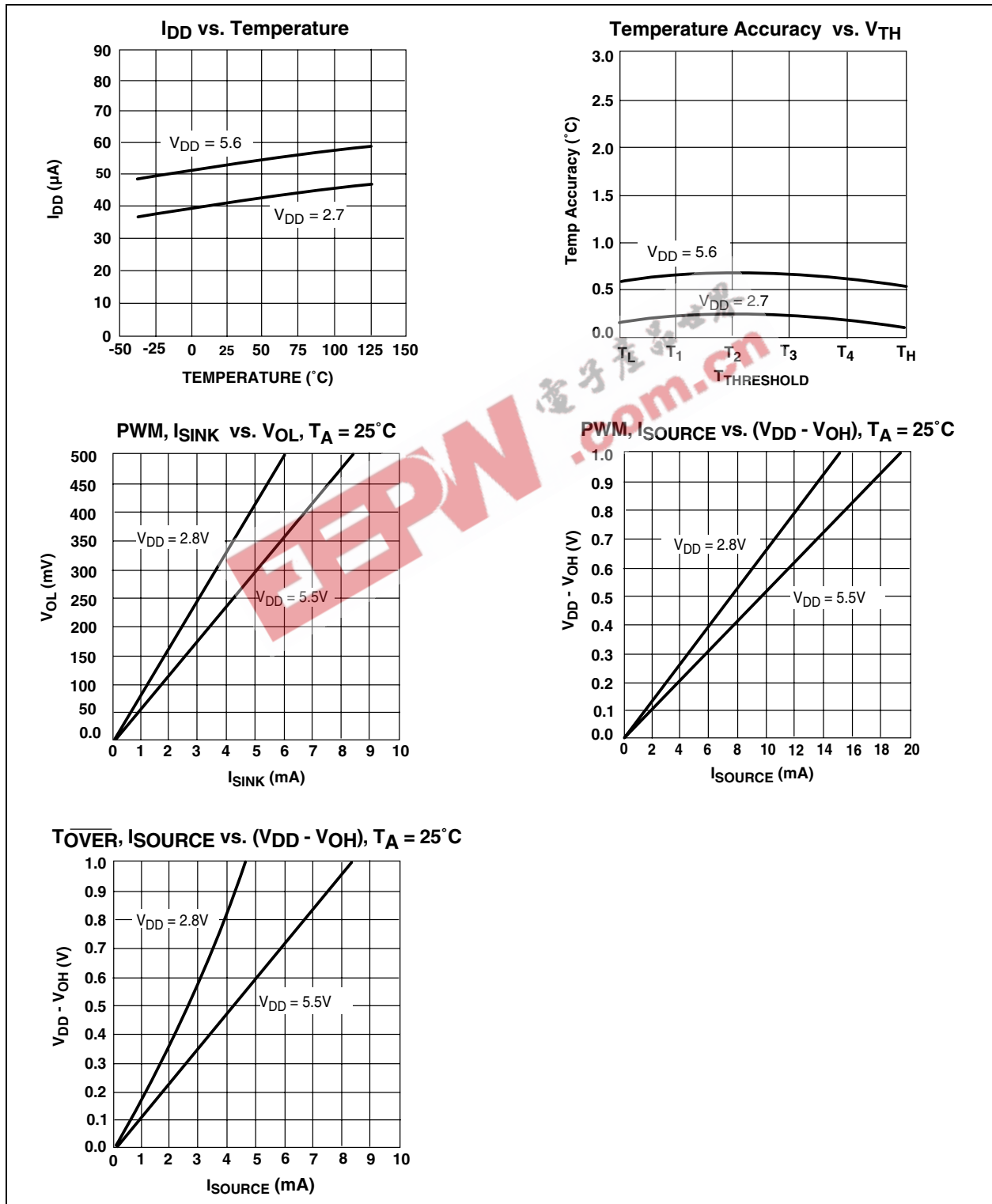
FIGURE 4-1: REDUCING SWITCHING NOISE



TC650/TC651

5.0 TYPICAL CHARACTERISTICS

The graphs and tables provided following this note are a statistical summary based on a limited number of samples and are provided for informational purposes only. The performance characteristics listed herein are not tested or guaranteed. In some graphs or tables, the data presented may be outside the specified operating range (e.g., outside specified power supply range) and therefore outside the warranted range

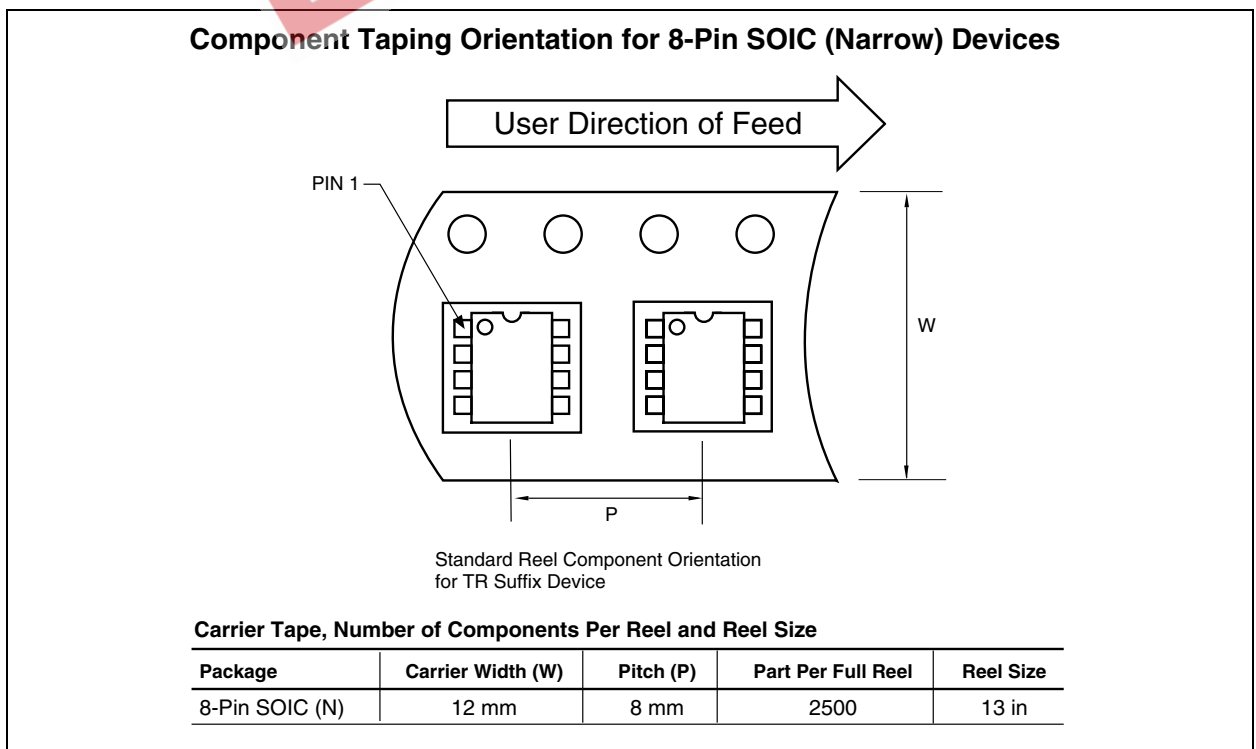
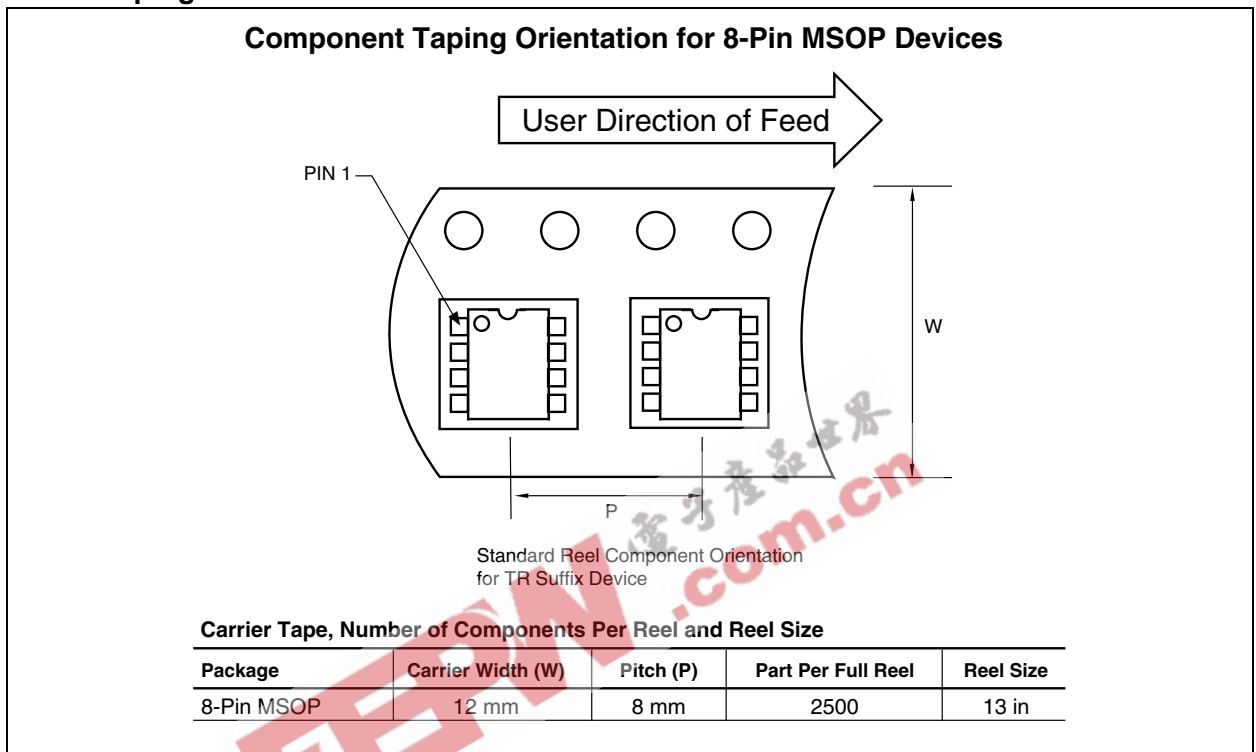


6.0 PACKAGING INFORMATION

6.1 Package Marking Information

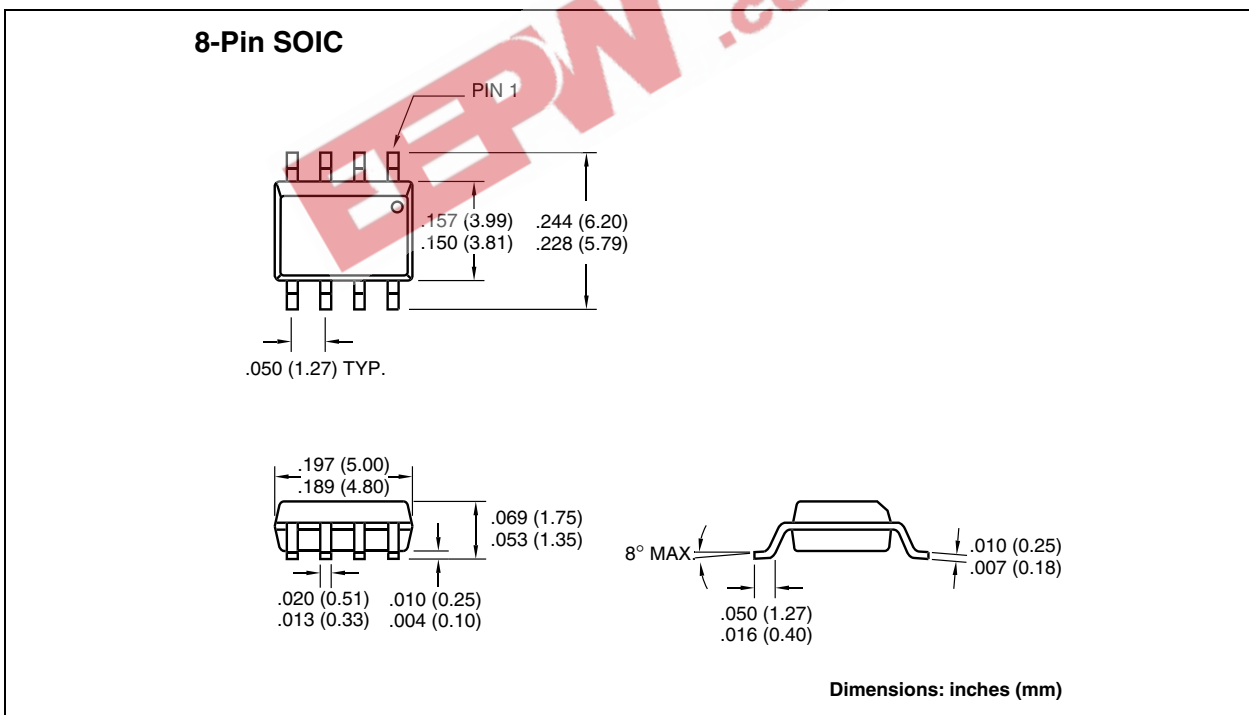
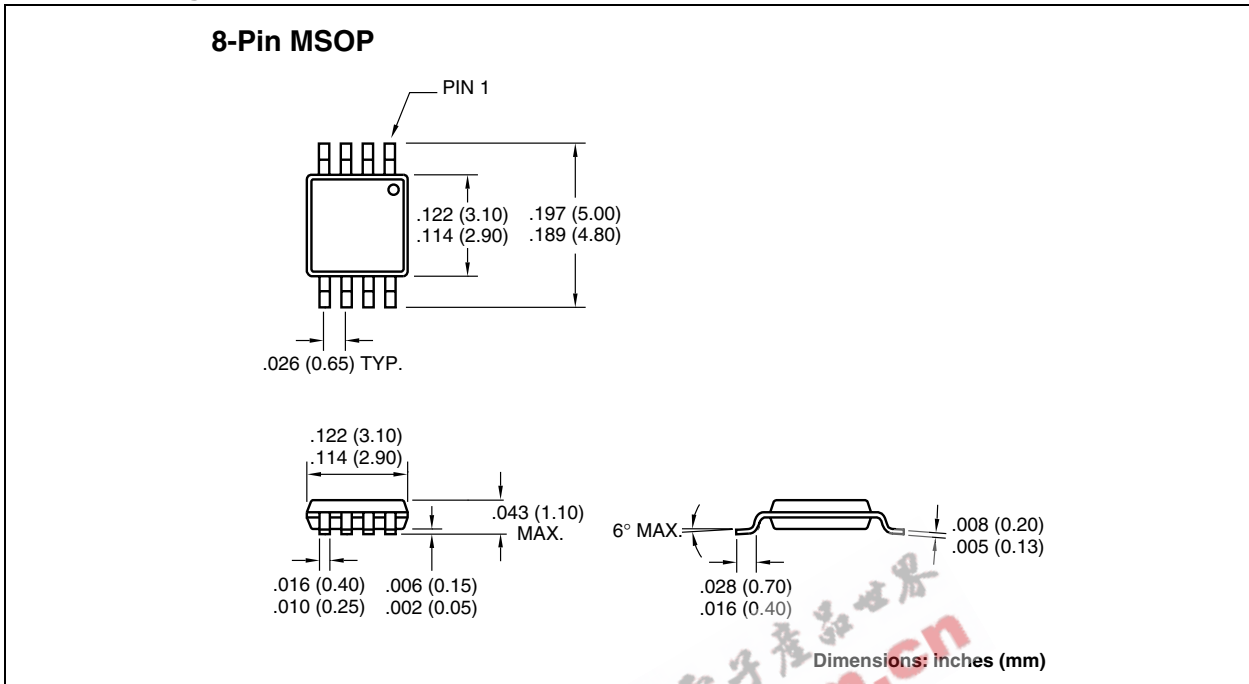
Package marking data not available at this time.

6.2 Taping Form



TC650/TC651

6.3 Package Dimensions



SALES AND SUPPORT

Data Sheets

Products supported by a preliminary Data Sheet may have an errata sheet describing minor operational differences and recommended workarounds. To determine if an errata sheet exists for a particular device, please contact one of the following:

1. Your local Microchip sales office
2. The Microchip Corporate Literature Center U.S. FAX: (480) 792-7277
3. The Microchip Worldwide Site (www.microchip.com)

Please specify which device, revision of silicon and Data Sheet (include Literature #) you are using.

New Customer Notification System

Register on our web site (www.microchip.com/cn) to receive the most current information on our products.

EEPW 电子产品世界
.com.cn

TC650/TC651

NOTES:

EEPW 电子产品世界
.com.cn

Information contained in this publication regarding device applications and the like is intended through suggestion only and may be superseded by updates. It is your responsibility to ensure that your application meets with your specifications. No representation or warranty is given and no liability is assumed by Microchip Technology Incorporated with respect to the accuracy or use of such information, or infringement of patents or other intellectual property rights arising from such use or otherwise. Use of Microchip's products as critical components in life support systems is not authorized except with express written approval by Microchip. No licenses are conveyed, implicitly or otherwise, under any intellectual property rights.

Trademarks


The Microchip name and logo, the Microchip logo, FilterLab, KEELOQ, microID, MPLAB, PIC, PICmicro, PICMASTER, PICSTART, PRO MATE, SEEVAL and The Embedded Control Solutions Company are registered trademarks of Microchip Technology Incorporated in the U.S.A. and other countries.

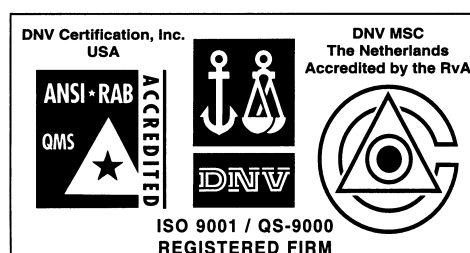
dsPIC, ECONOMONITOR, FanSense, FlexROM, fuzzyLAB, In-Circuit Serial Programming, ICSP, ICEPIC, microPort, Migratable Memory, MPASM, MPLIB, MPLINK, MPSIM, MXDEV, PICC, PICDEM, PICDEM.net, rfPIC, Select Mode and Total Endurance are trademarks of Microchip Technology Incorporated in the U.S.A.

Serialized Quick Turn Programming (SQTP) is a service mark of Microchip Technology Incorporated in the U.S.A.

All other trademarks mentioned herein are property of their respective companies.

© 2002, Microchip Technology Incorporated, Printed in the U.S.A., All Rights Reserved.

 Printed on recycled paper.



Microchip received QS-9000 quality system certification for its worldwide headquarters, design and wafer fabrication facilities in Chandler and Tempe, Arizona in July 1999 and Mountain View, California in March 2002. The Company's quality system processes and procedures are QS-9000 compliant for its PICmicro® 8-bit MCUs, KEELOQ® code hopping devices, Serial EEPROMs, microperipherals, non-volatile memory and analog products. In addition, Microchip's quality system for the design and manufacture of development systems is ISO 9001 certified.



WORLDWIDE SALES AND SERVICE

AMERICAS

Corporate Office

2355 West Chandler Blvd.
Chandler, AZ 85224-6199
Tel: 480-792-7200 Fax: 480-792-7277
Technical Support: 480-792-7627
Web Address: <http://www.microchip.com>

Rocky Mountain

2355 West Chandler Blvd.
Chandler, AZ 85224-6199
Tel: 480-792-7966 Fax: 480-792-7456

Atlanta

500 Sugar Mill Road, Suite 200B
Atlanta, GA 30350
Tel: 770-640-0034 Fax: 770-640-0307

Boston

2 Lan Drive, Suite 120
Westford, MA 01886
Tel: 978-692-3848 Fax: 978-692-3821

Chicago

333 Pierce Road, Suite 180
Itasca, IL 60143
Tel: 630-285-0071 Fax: 630-285-0075

Dallas

4570 Westgrove Drive, Suite 160
Addison, TX 75001
Tel: 972-818-7423 Fax: 972-818-2924

Detroit

Tri-Atria Office Building
32255 Northwestern Highway, Suite 190
Farmington Hills, MI 48334
Tel: 248-388-2250 Fax: 248-538-2260

Kokomo

2767 S. Albright Road
Kokomo, Indiana 46902
Tel: 765-864-8360 Fax: 765-864-8387

Los Angeles

18201 Von Karman, Suite 1090
Irvine, CA 92612
Tel: 949-263-1888 Fax: 949-263-1338

New York

150 Motor Parkway, Suite 202
Hauppauge, NY 11788
Tel: 631-273-5305 Fax: 631-273-5335

San Jose

Microchip Technology Inc.
2107 North First Street, Suite 590
San Jose, CA 95131
Tel: 408-436-7950 Fax: 408-436-7955

Toronto

6285 Northam Drive, Suite 108
Mississauga, Ontario L4V 1X5, Canada
Tel: 905-673-0699 Fax: 905-673-6509

ASIA/PACIFIC

Australia

Microchip Technology Australia Pty Ltd
Suite 22, 41 Rawson Street
Epping 2121, NSW
Australia
Tel: 61-2-9868-6733 Fax: 61-2-9868-6755

China - Beijing

Microchip Technology Consulting (Shanghai)
Co., Ltd., Beijing Liaison Office
Unit 915
Bei Hai Wan Tai Bldg.
No. 6 Chaoyangmen Beidajie
Beijing, 100027, No. China
Tel: 86-10-85282100 Fax: 86-10-85282104

China - Chengdu

Microchip Technology Consulting (Shanghai)
Co., Ltd., Chengdu Liaison Office
Rm. 2401, 24th Floor,
Ming Xing Financial Tower
No. 88 TIDU Street
Chengdu 610016, China
Tel: 86-28-6766200 Fax: 86-28-6766599

China - Fuzhou

Microchip Technology Consulting (Shanghai)
Co., Ltd., Fuzhou Liaison Office
Unit 28F, World Trade Plaza
No. 71 Wusi Road
Fuzhou 350001, China
Tel: 86-591-7503506 Fax: 86-591-7503521

China - Shanghai

Microchip Technology Consulting (Shanghai)
Co., Ltd.
Room 701, Bldg. B
Far East International Plaza
No. 317 Xian Xia Road
Shanghai, 200051
Tel: 86-21-6275-5700 Fax: 86-21-6275-5060

China - Shenzhen

Microchip Technology Consulting (Shanghai)
Co., Ltd., Shenzhen Liaison Office
Rm. 1315, 13/F, Shenzhen Kerry Centre,
Renminnan Lu
Shenzhen 518001, China
Tel: 86-755-2350361 Fax: 86-755-2366086

Hong Kong

Microchip Technology Hongkong Ltd.
Unit 901-6, Tower 2, Metroplaza
223 Hing Fong Road
Kwai Fong, N.T., Hong Kong
Tel: 852-2401-1200 Fax: 852-2401-3431

India

Microchip Technology Inc.
India Liaison Office
Divyasree Chambers
1 Floor, Wing A (A3/A4)
No. 11, O'Shaughnessy Road
Bangalore, 560 025, India
Tel: 91-80-2290061 Fax: 91-80-2290062

Japan

Microchip Technology Japan K.K.
Benex S-1 6F
3-18-20, Shinyokohama
Kohoku-Ku, Yokohama-shi
Kanagawa, 222-0033, Japan
Tel: 81-45-471-6166 Fax: 81-45-471-6122

Korea

Microchip Technology Korea
168-1, Youngbo Bldg. 3 Floor
Samsung-Dong, Kangnam-Ku
Seoul, Korea 135-882
Tel: 82-2-554-7200 Fax: 82-2-558-5934

Singapore

Microchip Technology Singapore Pte Ltd.
200 Middle Road
#07-02 Prime Centre
Singapore, 188980
Tel: 65-6334-8870 Fax: 65-6334-8850

Taiwan

Microchip Technology Taiwan
11F-3, No. 207
Tung Hua North Road
Taipei, 105, Taiwan
Tel: 886-2-2717-7175 Fax: 886-2-2545-0139

EUROPE

Denmark

Microchip Technology Nordic ApS
Regus Business Centre
Lautrup hof 1-3
Ballerup DK-2750 Denmark
Tel: 45 4420 9895 Fax: 45 4420 9910

France

Microchip Technology SARL
Parc d'Activite du Moulin de Massy
43 Rue du Saule Trapu
Batiment A - 1er Etage
91300 Massy, France
Tel: 33-1-69-53-63-20 Fax: 33-1-69-30-90-79

Germany

Microchip Technology GmbH
Gustav-Heinemann Ring 125
D-81739 Munich, Germany
Tel: 49-89-627-144 0 Fax: 49-89-627-144-44

Italy

Microchip Technology SRL
Centro Direzionale Colleoni
Palazzo Taurus 1 V. Le Colleoni 1
20041 Agrate Brianza
Milan, Italy
Tel: 39-039-65791-1 Fax: 39-039-6899883

United Kingdom

Arizona Microchip Technology Ltd.
505 Eskdale Road
Winnersh Triangle
Wokingham
Berkshire, England RG41 5TU
Tel: 44 118 921 5869 Fax: 44-118 921-5820

03/01/02

