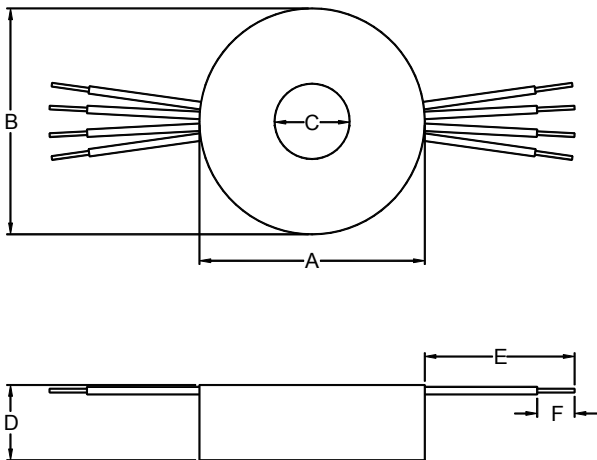


TOROIDAL TRANSFORMER

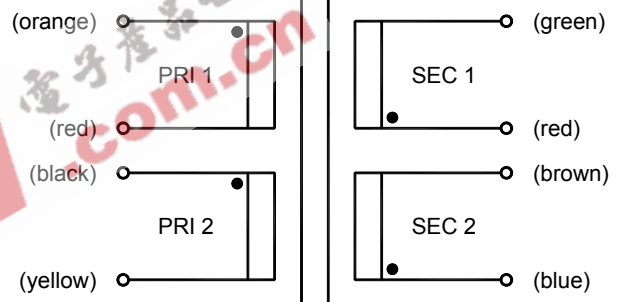
TL35 Series



- Low magnetic stray field emissions
- Low standby current
- High efficiency
- High ambient operating temperature (+60°C maximum)
- All leads wires are UL1332 200°C 300V
- Power – 1.6VA to 500VA
- Primary – Dual primary (115V/230V 50/60Hz)
- Secondary – Series or parallel
- Dielectric Strength – 4000Vrms
- Insulation Class – Class F (155°C)
- Safety Approvals – UL506, CUL C22.2 #66-1988, UL1411, CUL C22.2 #1-98, TUV / EN60950 / EN60065 / CE

Mounting

The transformer are normally supplied with one metal disk and two rubber washer for simple and easy one screw mounting



Product Series	Dimensions (mm)					
	A	B	C	D	E	F
1.6 (VA)	44.5	41.0	7.5	20.5	150	8
3.2 (VA)	49.5	45.5	5.0	20.5	150	8
5.0 (VA)	53.5	49.0	3.5	21.0	150	8
7.0 (VA)	53.5	50.0	5.0	23.5	150	8
10 (VA)	60.5	56.0	7.0	25.5	150	8
15 (VA)	66.5	60.0	6.0	27.5	150	8
25 (VA)	65.5	61.5	12.0	36.0	150	8
35 (VA)	78.5	71.5	18.5	34.0	150	8
50 (VA)	86.5	80.0	22.5	36.0	150	8
65 (VA)	94.5	89.0	20.5	36.5	150	8
85 (VA)	101	94.5	28.0	39.5	150	8
100 (VA)	101	96.0	34.0	44.0	150	8
120 (VA)	103	98.0	33.0	46.0	150	8
160 (VA)	122	116	38.0	46.0	250	8
200 (VA)	118	113	37.0	50.0	250	8
250 (VA)	123	118	42.0	53.0	250	8
300 (VA)	127	123	43.0	54.0	250	8
400 (VA)	139	134	44.0	61.0	250	8
500 (VA)	143	138	46.0	65.0	250	8
Tolerance	max.	max.	min.	max.	± 5	± 2

**TOROIDAL
TRANSFORMER**

Product Series	Part Number	Input Voltage (V)	Secondary RMS Rating	
			Series	Parallel
1.6VA	TL35-0016-012	2 x 115	12V C.T. @133mA	6V @266mA
	TL35-0016-014	2 x 115	14V C.T. @114mA	7V @228mA
	TL35-0016-018	2 x 115	18V C.T. @89mA	9V @178mA
	TL35-0016-024	2 x 115	24V C.T. @67mA	12V @134mA
	TL35-0016-030	2 x 115	30V C.T. @53mA	15V @106mA
	TL35-0016-036	2 x 115	36V C.T. @44mA	18V @88mA
	TL35-0016-044	2 x 115	44V C.T. @36mA	22V @72mA
	TL35-0016-048	2 x 115	48V C.T. @33mA	24V @66mA
3.2VA	TL35-0032-012	2 x 115	12V C.T. @266mA	6V @532mA
	TL35-0032-014	2 x 115	14V C.T. @229mA	7V @458mA
	TL35-0032-018	2 x 115	18V C.T. @178mA	9V @356mA
	TL35-0032-024	2 x 115	24V C.T. @133mA	12V @266mA
	TL35-0032-030	2 x 115	30V C.T. @107mA	15V @214mA
	TL35-0032-036	2 x 115	36V C.T. @89mA	18V @178mA
	TL35-0032-044	2 x 115	44V C.T. @73mA	22V @146mA
	TL35-0032-048	2 x 115	48V C.T. @66mA	24V @132mA
5.0VA	TL35-0050-012	2 x 115	12V C.T. @416mA	6V @832mA
	TL35-0050-014	2 x 115	14V C.T. @357mA	7V @714mA
	TL35-0050-018	2 x 115	18V C.T. @278mA	9V @556mA
	TL35-0050-024	2 x 115	24V C.T. @208mA	12V @416mA
	TL35-0050-030	2 x 115	30V C.T. @167mA	15V @334mA
	TL35-0050-036	2 x 115	36V C.T. @139mA	18V @278mA
	TL35-0050-044	2 x 115	44V C.T. @114mA	22V @228mA
	TL35-0050-048	2 x 115	48V C.T. @104mA	24V @208mA
7.0VA	TL35-0070-012	2 x 115	12V C.T. @583mA	6V @1166mA
	TL35-0070-014	2 x 115	14V C.T. @500mA	7V @1000mA
	TL35-0070-018	2 x 115	18V C.T. @389mA	9V @778mA
	TL35-0070-024	2 x 115	24V C.T. @292mA	12V @584mA
	TL35-0070-030	2 x 115	30V C.T. @233mA	15V @466mA
	TL35-0070-036	2 x 115	36V C.T. @194mA	18V @388mA
	TL35-0070-044	2 x 115	44V C.T. @159mA	22V @318mA
	TL35-0070-048	2 x 115	48V C.T. @145mA	24V @290mA
10VA	TL35-0100-012	2 x 115	12V C.T. @833mA	6V @1666mA
	TL35-0100-014	2 x 115	14V C.T. @714mA	7V @1428mA
	TL35-0100-018	2 x 115	18V C.T. @556mA	9V @1112mA
	TL35-0100-024	2 x 115	24V C.T. @417mA	12V @834mA
	TL35-0100-030	2 x 115	30V C.T. @333mA	15V @666mA
	TL35-0100-036	2 x 115	36V C.T. @278mA	18V @556mA
	TL35-0100-044	2 x 115	44V C.T. @227mA	22V @454mA
	TL35-0100-048	2 x 115	48V C.T. @208mA	24V @416mA
15VA	TL35-0150-012	2 x 115	12V C.T. @1250mA	6V @2500mA
	TL35-0150-014	2 x 115	14V C.T. @1071mA	7V @2142mA
	TL35-0150-018	2 x 115	18V C.T. @833mA	9V @1666mA
	TL35-0150-024	2 x 115	24V C.T. @625mA	12V @1250mA
	TL35-0150-030	2 x 115	30V C.T. @500mA	15V @1000mA
	TL35-0150-036	2 x 115	36V C.T. @417mA	18V @834mA
	TL35-0150-044	2 x 115	44V C.T. @341mA	22V @682mA
	TL35-0150-048	2 x 115	48V C.T. @312mA	24V @624mA

**TOROIDAL
TRANSFORMER**

Product Series	Part Number	Input Voltage (V)	Secondary RMS Rating	
			Series	Parallel
25VA	TL35-0250-012	2 x 115	12V C.T. @2083mA	6V @4166mA
	TL35-0250-014	2 x 115	14V C.T. @1785mA	7V @3570mA
	TL35-0250-018	2 x 115	18V C.T. @1377mA	9V @2754mA
	TL35-0250-024	2 x 115	24V C.T. @1041mA	12V @2082mA
	TL35-0250-030	2 x 115	30V C.T. @832mA	15V @1664mA
	TL35-0250-036	2 x 115	36V C.T. @694mA	18V @1388mA
	TL35-0250-044	2 x 115	44V C.T. @568mA	22V @1136mA
	TL35-0250-048	2 x 115	48V C.T. @520mA	24V @1040mA
35VA	TL35-0350-012	2 x 115	12V C.T. @2916mA	6V @5832mA
	TL35-0350-014	2 x 115	14V C.T. @2500mA	7V @5000mA
	TL35-0350-018	2 x 115	18V C.T. @1944mA	9V @3888mA
	TL35-0350-024	2 x 115	24V C.T. @1458mA	12V @2916mA
	TL35-0350-030	2 x 115	30V C.T. @1167mA	15V @2334mA
	TL35-0350-036	2 x 115	36V C.T. @972mA	18V @1944mA
	TL35-0350-044	2 x 115	44V C.T. @795mA	22V @1590mA
	TL35-0350-048	2 x 115	48V C.T. @729mA	24V @1458mA
50VA	TL35-0500-012	2 x 115	12V C.T. @4166mA	6V @8332mA
	TL35-0500-014	2 x 115	14V C.T. @3571mA	7V @7142mA
	TL35-0500-018	2 x 115	18V C.T. @2777mA	9V @5554mA
	TL35-0500-024	2 x 115	24V C.T. @2083mA	12V @4166mA
	TL35-0500-030	2 x 115	30V C.T. @1666mA	15V @3332mA
	TL35-0500-036	2 x 115	36V C.T. @1388mA	18V @2776mA
	TL35-0500-044	2 x 115	44V C.T. @1136mA	22V @2272mA
	TL35-0500-048	2 x 115	48V C.T. @1041mA	24V @2082mA
65VA	TL35-0650-012	2 x 115	12V C.T. @5416mA	6V @10832mA
	TL35-0650-014	2 x 115	14V C.T. @4642mA	7V @9284mA
	TL35-0650-018	2 x 115	18V C.T. @3611mA	9V @7222mA
	TL35-0650-024	2 x 115	24V C.T. @2708mA	12V @5416mA
	TL35-0650-030	2 x 115	30V C.T. @2166mA	15V @4322mA
	TL35-0650-036	2 x 115	36V C.T. @1805mA	18V @3610mA
	TL35-0650-044	2 x 115	44V C.T. @1477mA	22V @2954mA
	TL35-0650-048	2 x 115	48V C.T. @1354mA	24V @2708mA
85VA	TL35-0850-012	2 x 115	12V C.T. @7083mA	6V @14166mA
	TL35-0850-014	2 x 115	14V C.T. @6071mA	7V @12142mA
	TL35-0850-018	2 x 115	18V C.T. @4722mA	9V @9444mA
	TL35-0850-024	2 x 115	24V C.T. @3541mA	12V @7082mA
	TL35-0850-030	2 x 115	30V C.T. @2833mA	15V @5666mA
	TL35-0850-036	2 x 115	36V C.T. @2361mA	18V @4722mA
	TL35-0850-044	2 x 115	44V C.T. @1931mA	22V @3862mA
	TL35-0850-048	2 x 115	48V C.T. @1770mA	24V @3540mA

**TOROIDAL
TRANSFORMER**

Product Series	Part Number	Input Voltage (V)	Secondary RMS Rating	
			Series	Parallel
100VA	TL35-1000-018	2 x 115	18V C.T. @5.55A	9V @11.10A
	TL35-1000-020	2 x 115	20V C.T. @5.00A	10V @10.00A
	TL35-1000-024	2 x 115	24V C.T. @4.16A	12V @8.32A
	TL35-1000-030	2 x 115	30V C.T. @3.33A	15V @6.66A
	TL35-1000-036	2 x 115	36V C.T. @2.77A	18V @5.54A
	TL35-1000-044	2 x 115	44V C.T. @2.27A	22V @4.54A
	TL35-1000-048	2 x 115	48V C.T. @2.08A	24V @4.16A
	TL35-1000-060	2 x 115	60V C.T. @1.66A	30V @3.32A
	TL35-1000-070	2 x 115	70V C.T. @1.42A	35V @2.84A
	TL35-1000-076	2 x 115	76V C.T. @1.31A	38V @2.62A
	TL35-1000-110	2 x 115	110V C.T. @0.90A	55V @1.80A
	TL35-1000-230	2 x 115	230V C.T. @0.43A	115V @0.86A
120VA	TL35-1200-018	2 x 115	18V C.T. @6.66A	9V @13.32A
	TL35-1200-020	2 x 115	20V C.T. @6.00A	10V @12.00A
	TL35-1200-024	2 x 115	24V C.T. @5.00A	12V @10.00A
	TL35-1200-030	2 x 115	30V C.T. @4.00A	15V @8.00A
	TL35-1200-036	2 x 115	36V C.T. @3.33A	18V @6.66A
	TL35-1200-044	2 x 115	44V C.T. @2.72A	22V @5.44A
	TL35-1200-048	2 x 115	48V C.T. @2.50A	24V @5.00A
	TL35-1200-060	2 x 115	60V C.T. @2.00A	30V @4.00A
	TL35-1200-070	2 x 115	70V C.T. @1.71A	35V @3.42A
	TL35-1200-076	2 x 115	76V C.T. @1.57A	38V @3.14A
	TL35-1200-110	2 x 115	110V C.T. @1.09A	55V @2.18A
	TL35-1200-230	2 x 115	230V C.T. @0.52A	115V @1.04A
160VA	TL35-1600-020	2 x 115	20V C.T. @8.00A	10V @16.00A
	TL35-1600-024	2 x 115	24V C.T. @6.66A	12V @13.33A
	TL35-1600-030	2 x 115	30V C.T. @5.33A	15V @10.66A
	TL35-1600-036	2 x 115	36V C.T. @4.44A	18V @8.88A
	TL35-1600-044	2 x 115	44V C.T. @3.63A	22V @7.26A
	TL35-1600-048	2 x 115	48V C.T. @3.33A	24V @6.66A
	TL35-1600-060	2 x 115	60V C.T. @2.66A	30V @5.32A
	TL35-1600-070	2 x 115	70V C.T. @2.28A	35V @4.56A
	TL35-1600-076	2 x 115	76V C.T. @2.10A	38V @4.20A
	TL35-1600-110	2 x 115	110V C.T. @1.45A	55V @2.90A
	TL35-1600-230	2 x 115	230V C.T. @0.69A	115V @1.38A
200VA	TL35-2000-024	2 x 115	24V C.T. @8.33A	12V @16.66A
	TL35-2000-030	2 x 115	30V C.T. @6.66A	15V @13.32A
	TL35-2000-036	2 x 115	36V C.T. @5.55A	18V @11.10A
	TL35-2000-044	2 x 115	44V C.T. @4.54A	22V @9.08A
	TL35-2000-048	2 x 115	48V C.T. @4.16A	24V @8.32A
	TL35-2000-060	2 x 115	60V C.T. @3.33A	30V @6.66A
	TL35-2000-070	2 x 115	70V C.T. @2.85A	35V @5.70A
	TL35-2000-076	2 x 115	76V C.T. @2.63A	38V @5.26A
	TL35-2000-110	2 x 115	110V C.T. @1.81A	55V @3.62A
	TL35-2000-230	2 x 115	230V C.T. @0.86A	115V @1.72A

**TOROIDAL
TRANSFORMER**

Product Series	Part Number	Input Voltage (V)	Secondary RMS Rating	
			Series	Parallel
250VA	TL35-2500-024	2 x 115	24V C.T. @10.41A	12V @20.82A
	TL35-2500-030	2 x 115	30V C.T. @8.33A	15V @16.66A
	TL35-2500-036	2 x 115	36V C.T. @6.94A	18V @13.88A
	TL35-2500-044	2 x 115	44V C.T. @5.68A	22V @11.36A
	TL35-2500-048	2 x 115	48V C.T. @5.20A	24V @10.40A
	TL35-2500-060	2 x 115	60V C.T. @4.16A	30V @8.32A
	TL35-2500-066	2 x 115	66V C.T. @3.78A	33V @7.56A
	TL35-2500-070	2 x 115	70V C.T. @3.57A	35V @7.14A
	TL35-2500-076	2 x 115	76V C.T. @3.28A	38V @6.56A
	TL35-2500-110	2 x 115	110V C.T. @2.27A	55V @4.54A
	TL35-2500-230	2 x 115	230V C.T. @1.08A	115V @2.16A
300VA	TL35-3000-030	2 x 115	30V C.T. @10.00A	15V @20.00A
	TL35-3000-036	2 x 115	36V C.T. @8.33A	18V @16.66A
	TL35-3000-048	2 x 115	48V C.T. @6.25A	24V @12.50A
	TL35-3000-060	2 x 115	60V C.T. @5.00A	30V @10.00A
	TL35-3000-066	2 x 115	66V C.T. @4.54A	33V @9.08A
	TL35-3000-070	2 x 115	70V C.T. @4.28A	35V @8.56A
	TL35-3000-076	2 x 115	76V C.T. @3.94A	38V @7.88A
	TL35-3000-090	2 x 115	90V C.T. @3.33A	45V @6.66A
	TL35-3000-110	2 x 115	110V C.T. @2.72A	55V @5.44A
	TL35-3000-230	2 x 115	230V C.T. @1.30A	115V @2.60A
400VA	TL35-4000-048	2 x 115	48V C.T. @8.33A	24V @16.66A
	TL35-4000-060	2 x 115	60V C.T. @6.66A	30V @13.32A
	TL35-4000-066	2 x 115	66V C.T. @6.06A	33V @12.12A
	TL35-4000-070	2 x 115	70V C.T. @5.71A	35V @11.42A
	TL35-4000-076	2 x 115	76V C.T. @5.26A	38V @10.52A
	TL35-4000-090	2 x 115	90V C.T. @4.44A	45V @8.88A
	TL35-4000-110	2 x 115	110V C.T. @3.63A	55V @7.26A
	TL35-4000-230	2 x 115	230V C.T. @1.73A	115V @3.46A
500VA	TL35-5000-048	2 x 115	48V C.T. @10.41A	24V @20.83A
	TL35-5000-060	2 x 115	60V C.T. @8.33A	30V @16.66A
	TL35-5000-066	2 x 115	66V C.T. @7.57A	33V @15.14A
	TL35-5000-070	2 x 115	70V C.T. @7.14A	35V @14.28A
	TL35-5000-076	2 x 115	76V C.T. @6.57A	38V @13.14A
	TL35-5000-090	2 x 115	90V C.T. @5.55A	45V @11.10A
	TL35-5000-110	2 x 115	110V C.T. @4.54A	55V @9.08A
	TL35-5000-230	2 x 115	230V C.T. @2.17A	115V @4.34A