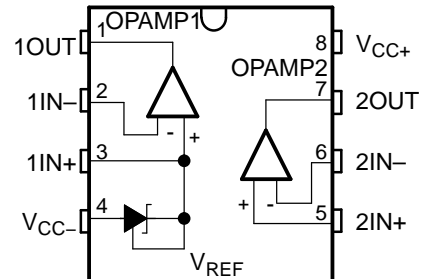


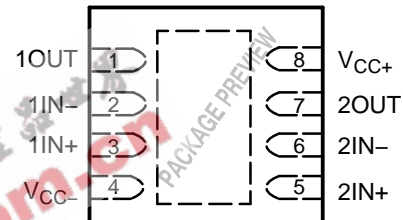
## FEATURES

- **OPERATIONAL AMPLIFIER**
  - Low Offset Voltage Max of:
    - TL103WA...3 mV (25°C) and 5 mV (Full Temperature)
    - TL103W...4 mV (25°C) and 5 mV (Full Temperature)
  - Low Supply Current...350  $\mu$ A/Channel (Typ)
  - Unity Gain Bandwidth...0.9 MHz (Typ)
  - Input Common-Mode Range Includes GND
  - Large Output-Voltage Swing... 0 V to  $V_{CC} - 1.5$  V
  - Wide Supply-Voltage Range...3 V to 32 V
  - 2-kV ESD Protection (HBM)
- **VOLTAGE REFERENCE**
  - Fixed 2.5-V Reference
  - Tight Tolerance Max of:
    - TL103WA...0.4% (25°C) and 0.8% (Full Temperature)
    - TL103W...0.7% (25°C) and 1.4% (Full Temperature)
  - Low Temperature Drift...7 mV (Typ) Over Operating Temperature Range
  - Wide Sink-Current Range... 0.5 mA (Typ) to 100 mA
  - Output Impedance...0.2  $\Omega$  (Typ)

**D (SOIC) PACKAGE  
(TOP VIEW)**



**DRJ (QFN) PACKAGE  
(TOP VIEW)**



NOTE: Exposed thermal pad is connected internally to  $V_{CC-}$  via die attach.

## TYPICAL APPLICATIONS

- Battery Chargers
- Switch-Mode Power Supplies
- Linear Voltage Regulation
- Data-Acquisition Systems

## DESCRIPTION/ORDERING INFORMATION

The TL103W and TL103WA combine the building blocks of a dual operational amplifier and a fixed voltage reference – both of which often are used in the control circuitry of both switch-mode and linear power supplies. OPAMP1 has its noninverting input internally tied to a fixed 2.5-V reference, while OPAMP2 is independent, with both inputs uncommitted.

For the A grade, especially tight voltage regulation can be achieved through low offset voltages for both operational amplifiers (typically 0.5 mV) and tight tolerances for the voltage reference (0.4% at 25°C and 0.8% over operating temperature range).

The TL103W and TL103WA are characterized for operation from –40°C to 105°C.



Please be aware that an important notice concerning availability, standard warranty, and use in critical applications of Texas Instruments semiconductor products and disclaimers thereto appears at the end of this data sheet.

# TL103W, TL103WA DUAL OPERATIONAL AMPLIFIERS WITH INTERNAL REFERENCE

SLOS437J–APRIL 2004–REVISED JULY 2005

## ORDERING INFORMATION

$T_A$	MAX $V_{IO}$ AND $V_{REF}$ TOLERANCE (25°C)	PACKAGE <sup>(1)</sup>		ORDERABLE PART NUMBER	TOP-SIDE MARKING
–40°C to 105°C	A grade 3 mV, 0.4%	QFN (DRJ)	Reel of 1000	TL103WAIDRJR	PREVIEW
		SOIC (D)	Tube of 75	TL103WAID	Z103WQ
			Reel of 2500	TL103WAIDR	
	Standard grade 4 mV, 0.7%	QFN (DRJ)	Reel of 1000	TL103WIDRJR	PREVIEW
		SOIC (D)	Tube of 75	TL103WID	Z103W
			Reel of 2500	TL103WIDR	

(1) Package drawings, standard packing quantities, thermal data, symbolization, and PCB design guidelines are available at [www.ti.com/sc/package](http://www.ti.com/sc/package).

## Typical Application Circuit

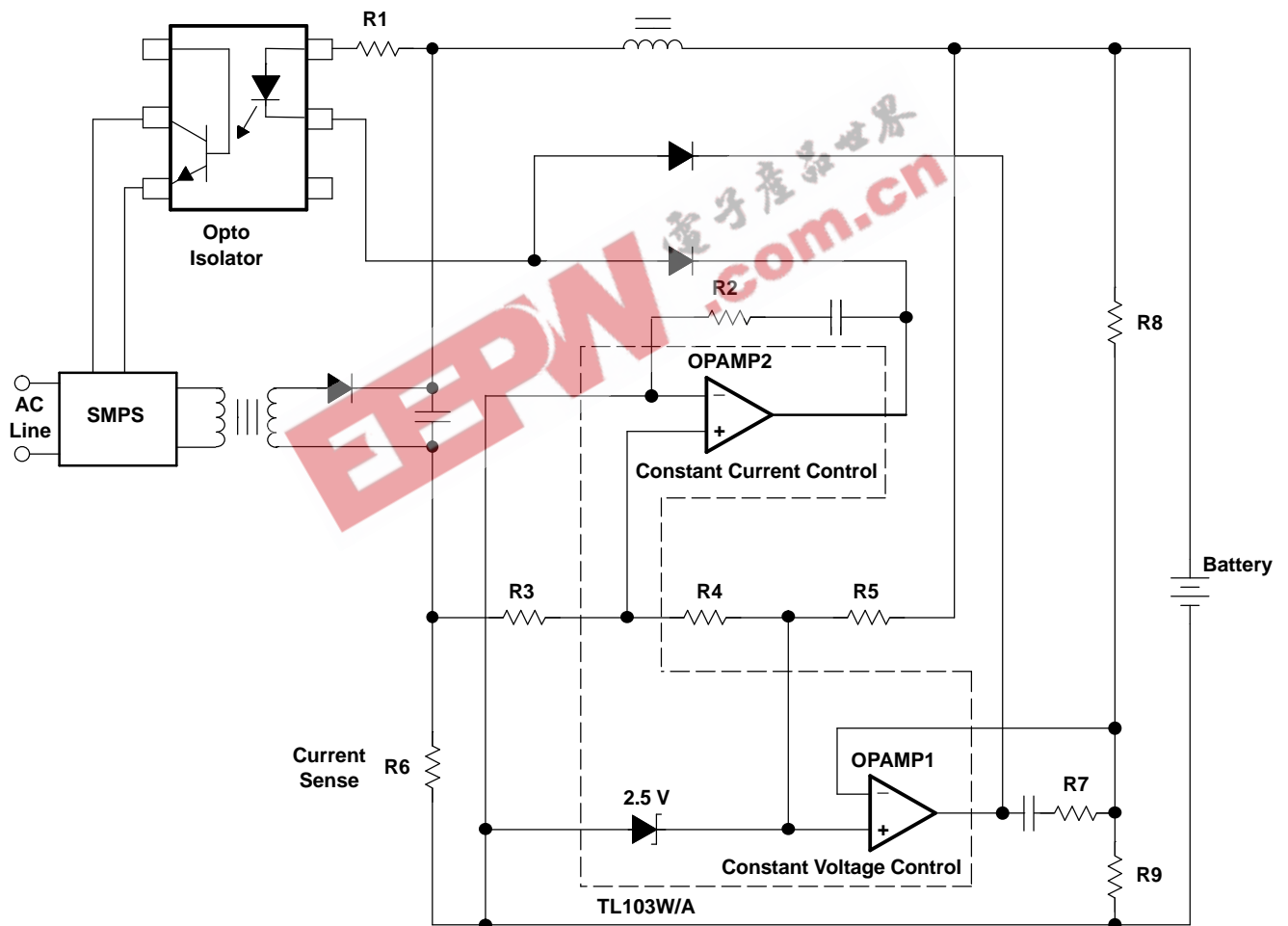


Figure 1. TL103W/A in a Constant-Current and Constant-Voltage Battery Charger

### Absolute Maximum Ratings<sup>(1)</sup>

over operating free-air temperature range (unless otherwise noted)

		MIN	MAX	UNIT
V <sub>CC</sub>	Supply voltage		36	V
V <sub>id</sub>	Operational amplifier input differential voltage		36	V
V <sub>I</sub>	Operational amplifier input voltage range	–0.3	36	V
I <sub>KA</sub>	Voltage reference cathode current		100	mA
θ <sub>JA</sub>	Package thermal impedance		D package <sup>(2)(3)</sup>	97
			DRJ package <sup>(2)(4)</sup>	TBD
T <sub>J</sub>	Maximum junction temperature		150	°C
T <sub>stg</sub>	Storage temperature range	–65	150	°C

- (1) Stresses beyond those listed under “absolute maximum ratings” may cause permanent damage to the device. These are stress ratings only, and functional operation of the device at these or any other conditions beyond those indicated under “recommended operating conditions” is not implied. Exposure to absolute-maximum-rated conditions for extended periods may affect device reliability.
- (2) Maximum power dissipation is a function of T<sub>J(max)</sub>, θ<sub>JA</sub>, and T<sub>A</sub>. The maximum allowable power dissipation at any allowable ambient temperature is P<sub>D</sub> = (T<sub>J(max)</sub> – T<sub>A</sub>)/θ<sub>JA</sub>. Selecting the maximum of 150°C can affect reliability.
- (3) The package thermal impedance is calculated in accordance with JESD 51-7.
- (4) The package thermal impedance is calculated in accordance with JESD 51-5.

### Recommended Operating Conditions

over operating free-air temperature range (unless otherwise noted)

		MIN	MAX	UNIT
V <sub>IN</sub>	Supply voltage	3	32	V
I <sub>K</sub>	Cathode current	1	100	mA
T <sub>A</sub>	Operating free-air temperature	–40	105	°C

EEPW.com.cn 电子產品世界

# TL103W, TL103WA DUAL OPERATIONAL AMPLIFIERS WITH INTERNAL REFERENCE

SLOS437J–APRIL 2004–REVISED JULY 2005

## OPAMP1, Operational Amplifier With Noninverting Input Connected to the Internal $V_{REF}$ Electrical Characteristics

$V_{CC+} = 5\text{ V}$ ,  $V_{CC} = \text{GND}$ ,  $T_A = 25^\circ\text{C}$  (unless otherwise noted)

PARAMETER		TEST CONDITIONS	$T_A$	MIN	TYP	MAX	UNIT
$V_{IO}$	Input offset voltage	TL103W	$V_{icm} = 0\text{ V}$	25°C	1	4	mV
				Full range		5	
		TL103WA	$V_{icm} = 0\text{ V}$	25°C	0.5	3	
				Full range		5	
$\alpha V_{IO}$	Input offset-voltage drift		25°C		7		$\mu\text{V}/^\circ\text{C}$
$I_{IB}$	Input bias current (negative input)		25°C		20		nA
$A_{VD}$	Large-signal voltage gain	$V_{CC+} = 15\text{ V}$ , $R_L = 2\text{ k}\Omega$ , $V_{icm} = 0\text{ V}$	25°C		100		V/mV
$k_{SVR}$	Supply-voltage rejection ratio	$V_{CC+} = 5\text{ V}$ to $30\text{ V}$ , $V_{icm} = 0\text{ V}$	25°C	65	100		dB
$I_{source}$	Output source current	$V_{CC+} = 15\text{ V}$ , $V_O = 2\text{ V}$ , $V_{id} = 1\text{ V}$	25°C	20	40		mA
$I_{SC}$	Short circuit to GND	$V_{CC+} = 15\text{ V}$	25°C		40	60	mA
$I_{sink}$	Output sink current	$V_{CC+} = 15\text{ V}$ , $V_O = 2\text{ V}$ , $V_{id} = -1\text{ V}$	25°C		10	12	mA
		$V_{CC+} = 15\text{ V}$ , $V_O = 0.2\text{ V}$ , $V_{id} = -1\text{ V}$			12	50	$\mu\text{A}$
$V_{OH}$	High-level output voltage	$V_{CC} = 30\text{ V}$ , $R_L = 2\text{ k}\Omega$	25°C	26	27	V	
			Full range		26		
		$V_{CC} = 30\text{ V}$ , $R_L = 10\text{ k}\Omega$	25°C	27	28		
			Full range		27		
$V_{OL}$	Low-level output voltage	$R_L = 10\text{ k}\Omega$	25°C		5	20	mV
			Full range			20	
SR	Slew rate at unity gain	$V_{CC+} = 15\text{ V}$ , $C_L = 100\text{ pF}$ , $R_L = 2\text{ k}\Omega$ , $V_I = 0.5\text{ V}$ to $2\text{ V}$ , unity gain	25°C	0.2	0.4		V/ $\mu\text{s}$
GBW	Gain bandwidth product	$V_{CC+} = 30\text{ V}$ , $V_I = 10\text{ mV}$ , $C_L = 100\text{ pF}$ , $R_L = 2\text{ k}\Omega$ , $f = 100\text{ kHz}$	25°C	0.5	0.9		MHz
THD	Total harmonic distortion	$V_{CC+} = 30\text{ V}$ , $V_O = 2\text{ V}_{pp}$ , $C_L = 100\text{ pF}$ , $R_L = 2\text{ k}\Omega$ , $f = 1\text{ kHz}$ , $A_V = 20\text{ dB}$	25°C		0.02		%

**OPAMP2, Independent Operational Amplifier**  
**Electrical Characteristics**

$V_{CC+} = 5\text{ V}$ ,  $V_{CC} = \text{GND}$ ,  $V_O = 1.4\text{ V}$ ,  $T_A = 25^\circ\text{C}$  (unless otherwise noted)

PARAMETER		TEST CONDITIONS	$T_A$	MIN	TYP	MAX	UNIT
$V_{IO}$	Input offset voltage	TL103W	$V_{icm} = 0\text{ V}$	25°C	1	4	mV
				Full range		5	
		TL103WA	$V_{icm} = 0\text{ V}$	25°C	0.5	3	
				Full range		5	
$\alpha V_{IO}$	Input offset voltage drift		25°C	7		$\mu\text{V}/^\circ\text{C}$	
$I_{IO}$	Input offset current		25°C	2	75	nA	
			Full range		150		
$I_{IB}$	Input bias current		25°C	20	150	nA	
			Full range		200		
$A_{VD}$	Large-signal voltage gain	$V_{CC+} = 15\text{ V}$ , $R_L = 2\text{ k}\Omega$ , $V_O = 1.4\text{ V}$ to $11.4\text{ V}$	25°C	50	100	V/mV	
				Full range	25		
$k_{SVR}$	Supply-voltage rejection ratio	$V_{CC+} = 5\text{ V}$ to $30\text{ V}$	25°C	65	100	dB	
$V_{ICR}$	Input common-mode voltage range	$V_{CC+} = 30\text{ V}^{(1)}$	25°C	0	$V_{CC+} - 1.5$	V	
				Full range	0		$V_{CC+} - 2$
CMRR	Common-mode rejection ratio		25°C	70	85	dB	
			Full range	60			
$I_{source}$	Output source current	$V_{CC+} = 15\text{ V}$ , $V_O = 2\text{ V}$ , $V_{id} = 1\text{ V}$	25°C	20	40	mA	
$I_{SC}$	Short circuit to GND	$V_{CC+} = 15\text{ V}$	25°C	40	60	mA	
$I_{sink}$	Output sink current	$V_{CC+} = 15\text{ V}$ , $V_O = 2\text{ V}$ , $V_{id} = -1\text{ V}$	25°C	10	12	mA	
				$V_{CC+} = 15\text{ V}$ , $V_O = 0.2\text{ V}$ , $V_{id} = -1\text{ V}$	12	50	$\mu\text{A}$
$V_{OH}$	High-level output voltage	$V_{CC} = 30\text{ V}$ , $R_L = 2\text{ k}\Omega$	25°C	26	27	V	
				Full range	26		
				25°C	27		28
				Full range	27		
$V_{OL}$	Low-level output voltage	$R_L = 10\text{ k}\Omega$	25°C	5	20	mV	
				Full range			20
SR	Slew rate at unity gain	$V_{CC+} = 15\text{ V}$ , $C_L = 100\text{ pF}$ , $R_L = 2\text{ k}\Omega$ , $V_I = 0.5\text{ V}$ to $3\text{ V}$ , unity gain	25°C	0.2	0.4	V/ $\mu\text{s}$	
GBW	Gain bandwidth product	$V_{CC+} = 30\text{ V}$ , $V_I = 10\text{ mV}$ , $C_L = 100\text{ pF}$ , $R_L = 2\text{ k}\Omega$ , $f = 100\text{ kHz}$	25°C	0.5	0.9	MHz	
THD	Total harmonic distortion	$V_{CC+} = 30\text{ V}$ , $V_O = 2\text{ V}_{pp}$ , $C_L = 100\text{ pF}$ , $R_L = 2\text{ k}\Omega$ , $f = 1\text{ kHz}$ , $A_V = 20\text{ dB}$	25°C	0.02		%	
$V_n$	Equivalent input noise voltage	$V_{CC} = 30\text{ V}$ , $R_S = 100\ \Omega$ , $f = 1\text{ kHz}$	25°C	50		$\text{nV}/\sqrt{\text{Hz}}$	

(1) The input common-mode voltage of either input should not be allowed to go below  $-0.3\text{ V}$ . The upper end of the common-mode voltage range is  $V_{CC+} - 1.5\text{ V}$ , but either input can go to  $V_{CC+} + 0.3\text{ V}$  (but  $\leq 36\text{ V}$ ) without damage.

# TL103W, TL103WA DUAL OPERATIONAL AMPLIFIERS WITH INTERNAL REFERENCE

SLOS437J–APRIL 2004–REVISED JULY 2005

## Voltage Reference Electrical Characteristics

PARAMETER		TEST CONDITIONS	T <sub>A</sub>	MIN	TYP	MAX	UNIT
V <sub>REF</sub>	Reference voltage	I <sub>K</sub> = 10 mA	25°C	2.482	2.5	2.518	V
			Full range	2.465		2.535	
	TL103WA	I <sub>K</sub> = 10 mA	25°C	2.49	2.5	2.51	
			Full range	2.48		2.52	
ΔV <sub>REF</sub>	Reference input voltage deviation over temperature range	V <sub>KA</sub> = V <sub>REF</sub> , I <sub>K</sub> = 10 mA	Full range		7	30	mV
I <sub>min</sub>	Minimum cathode current for regulation	V <sub>KA</sub> = V <sub>REF</sub>	25°C		0.5	1	mA
z <sub>ka</sub>	Dynamic impedance <sup>(1)</sup>	V <sub>KA</sub> = V <sub>REF</sub> , ΔI <sub>K</sub> = 1 mA to 100 mA, f < 1 kHz	25°C		0.2	0.5	Ω

(1) The dynamic impedance is defined as

$$|z_{ka}| = \frac{\Delta V_{KA}}{\Delta I_K}$$

## Total Device Electrical Characteristics

PARAMETER		TEST CONDITIONS	T <sub>A</sub>	MIN	TYP	MAX	UNIT
I <sub>CC</sub>	Total supply current, excluding cathode-current reference	V <sub>CC+</sub> = 5 V, No load	Full range		0.7	1.2	mA
		V <sub>CC+</sub> = 30 V, No load				2	

**PACKAGING INFORMATION**

Orderable Device	Status <sup>(1)</sup>	Package Type	Package Drawing	Pins	Package Qty	Eco Plan <sup>(2)</sup>	Lead/Ball Finish	MSL Peak Temp <sup>(3)</sup>
TL103WAID	ACTIVE	SOIC	D	8	75	Green (RoHS & no Sb/Br)	CU NIPDAU	Level-1-260C-UNLIM
TL103WAIDE4	ACTIVE	SOIC	D	8	75	Green (RoHS & no Sb/Br)	CU NIPDAU	Level-1-260C-UNLIM
TL103WAIDG4	ACTIVE	SOIC	D	8	75	Green (RoHS & no Sb/Br)	CU NIPDAU	Level-1-260C-UNLIM
TL103WAIDR	ACTIVE	SOIC	D	8	2500	Green (RoHS & no Sb/Br)	CU NIPDAU	Level-1-260C-UNLIM
TL103WAIDRE4	ACTIVE	SOIC	D	8	2500	Green (RoHS & no Sb/Br)	CU NIPDAU	Level-1-260C-UNLIM
TL103WAIDRG4	ACTIVE	SOIC	D	8	2500	Green (RoHS & no Sb/Br)	CU NIPDAU	Level-1-260C-UNLIM
TL103WID	ACTIVE	SOIC	D	8	75	Green (RoHS & no Sb/Br)	CU NIPDAU	Level-1-260C-UNLIM
TL103WIDE4	ACTIVE	SOIC	D	8	75	Green (RoHS & no Sb/Br)	CU NIPDAU	Level-1-260C-UNLIM
TL103WIDG4	ACTIVE	SOIC	D	8	75	Green (RoHS & no Sb/Br)	CU NIPDAU	Level-1-260C-UNLIM
TL103WIDR	ACTIVE	SOIC	D	8	2500	Green (RoHS & no Sb/Br)	CU NIPDAU	Level-1-260C-UNLIM
TL103WIDRE4	ACTIVE	SOIC	D	8	2500	Green (RoHS & no Sb/Br)	CU NIPDAU	Level-1-260C-UNLIM
TL103WIDRG4	ACTIVE	SOIC	D	8	2500	Green (RoHS & no Sb/Br)	CU NIPDAU	Level-1-260C-UNLIM

<sup>(1)</sup> The marketing status values are defined as follows:

**ACTIVE:** Product device recommended for new designs.

**LIFEBUY:** TI has announced that the device will be discontinued, and a lifetime-buy period is in effect.

**NRND:** Not recommended for new designs. Device is in production to support existing customers, but TI does not recommend using this part in a new design.

**PREVIEW:** Device has been announced but is not in production. Samples may or may not be available.

**OBSOLETE:** TI has discontinued the production of the device.

<sup>(2)</sup> Eco Plan - The planned eco-friendly classification: Pb-Free (RoHS), Pb-Free (RoHS Exempt), or Green (RoHS & no Sb/Br) - please check <http://www.ti.com/productcontent> for the latest availability information and additional product content details.

**TBD:** The Pb-Free/Green conversion plan has not been defined.

**Pb-Free (RoHS):** TI's terms "Lead-Free" or "Pb-Free" mean semiconductor products that are compatible with the current RoHS requirements for all 6 substances, including the requirement that lead not exceed 0.1% by weight in homogeneous materials. Where designed to be soldered at high temperatures, TI Pb-Free products are suitable for use in specified lead-free processes.

**Pb-Free (RoHS Exempt):** This component has a RoHS exemption for either 1) lead-based flip-chip solder bumps used between the die and package, or 2) lead-based die adhesive used between the die and leadframe. The component is otherwise considered Pb-Free (RoHS compatible) as defined above.

**Green (RoHS & no Sb/Br):** TI defines "Green" to mean Pb-Free (RoHS compatible), and free of Bromine (Br) and Antimony (Sb) based flame retardants (Br or Sb do not exceed 0.1% by weight in homogeneous material)

<sup>(3)</sup> MSL, Peak Temp. -- The Moisture Sensitivity Level rating according to the JEDEC industry standard classifications, and peak solder temperature.

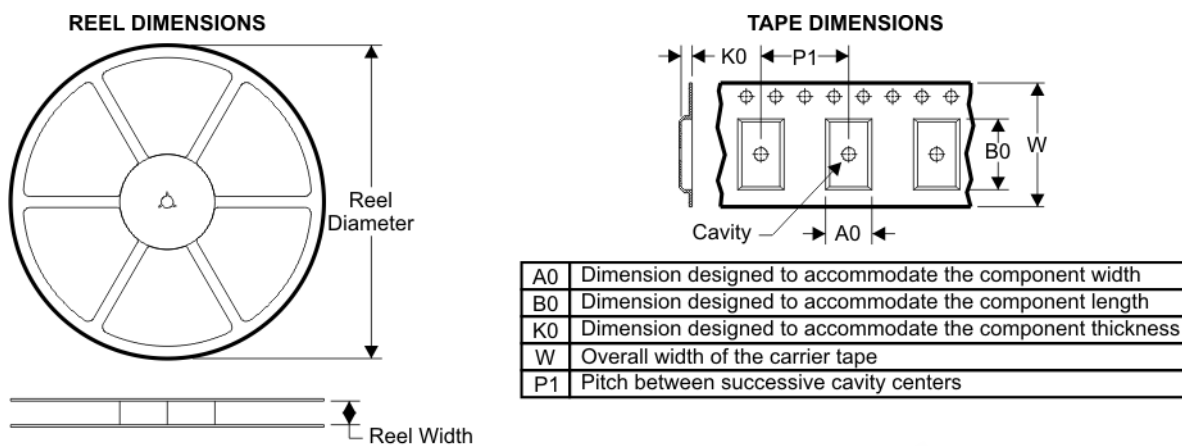
**Important Information and Disclaimer:** The information provided on this page represents TI's knowledge and belief as of the date that it is provided. TI bases its knowledge and belief on information provided by third parties, and makes no representation or warranty as to the accuracy of such information. Efforts are underway to better integrate information from third parties. TI has taken and continues to take reasonable steps to provide representative and accurate information but may not have conducted destructive testing or chemical analysis on incoming materials and chemicals. TI and TI suppliers consider certain information to be proprietary, and thus CAS numbers and other limited information may not be available for release.

In no event shall TI's liability arising out of such information exceed the total purchase price of the TI part(s) at issue in this document sold by TI to Customer on an annual basis.

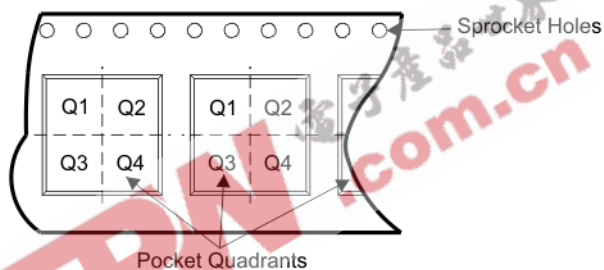
**EEPW** 电子產品世界  
.com.cn



**TAPE AND REEL BOX INFORMATION**

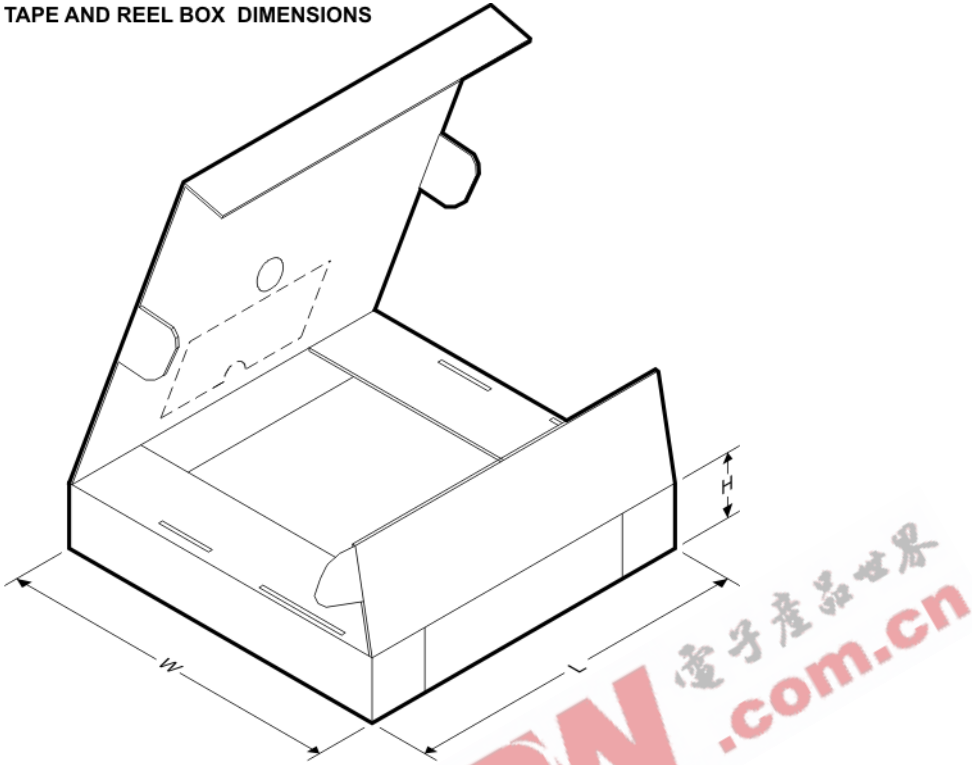


**QUADRANT ASSIGNMENTS FOR PIN 1 ORIENTATION IN TAPE**



Device	Package	Pins	Site	Reel Diameter (mm)	Reel Width (mm)	A0 (mm)	B0 (mm)	K0 (mm)	P1 (mm)	W (mm)	Pin1 Quadrant
TL103WAIDR	D	8	SITE 27	330	12	6.4	5.2	2.1	8	12	Q1
TL103WIDR	D	8	SITE 27	330	12	6.4	5.2	2.1	8	12	Q1

**TAPE AND REEL BOX DIMENSIONS**

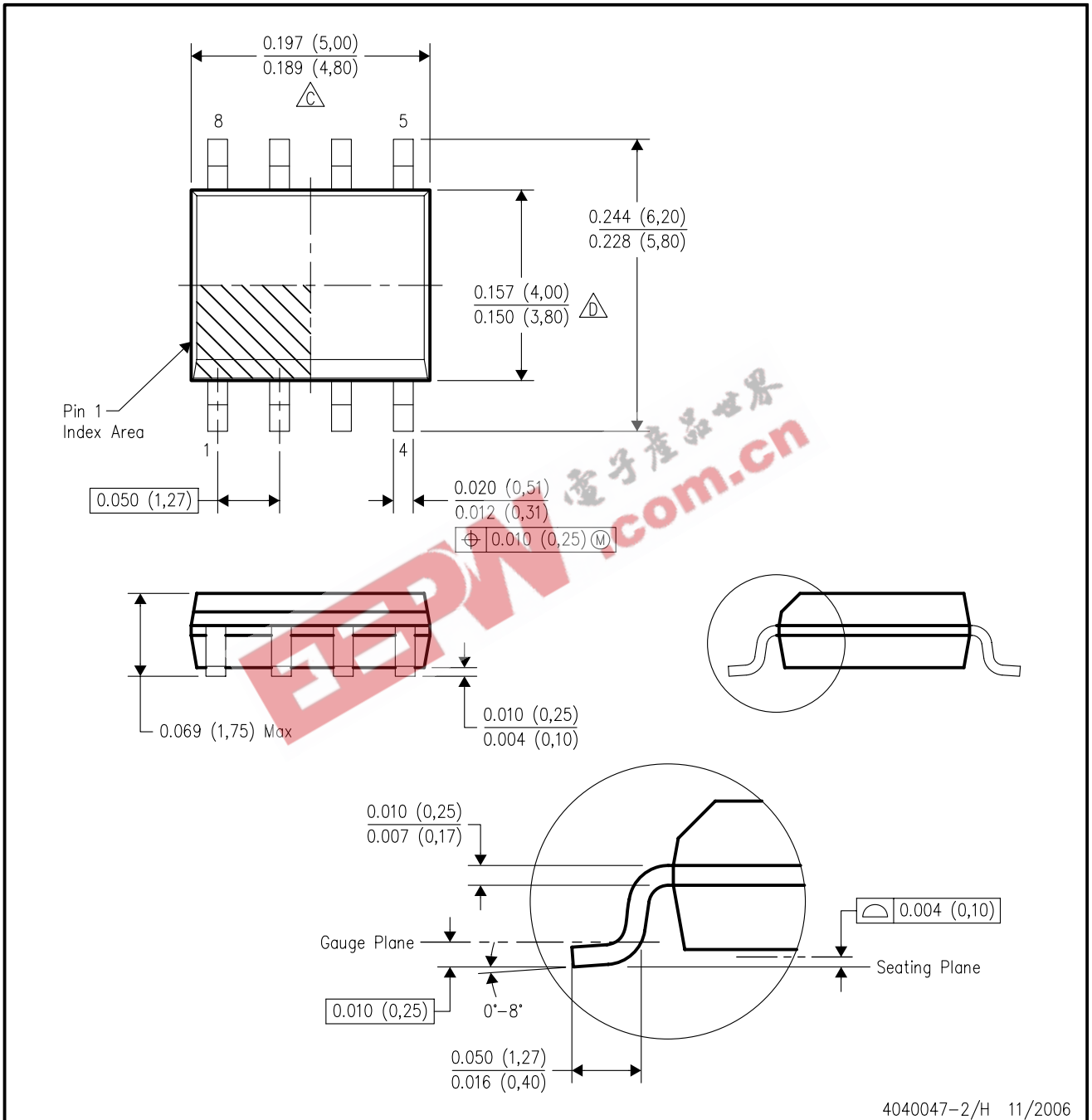


Device	Package	Pins	Site	Length (mm)	Width (mm)	Height (mm)
TL103WAIDR	D	8	SITE 27	342.9	338.1	20.64
TL103WIDR	D	8	SITE 27	342.9	338.1	20.64

# MECHANICAL DATA

## D (R-PDSO-G8)

## PLASTIC SMALL-OUTLINE PACKAGE



4040047-2/H 11/2006

- NOTES:
- A. All linear dimensions are in inches (millimeters).
  - B. This drawing is subject to change without notice.
  - △C Body length does not include mold flash, protrusions, or gate burrs. Mold flash, protrusions, or gate burrs shall not exceed .006 (0,15) per end.
  - △D Body width does not include interlead flash. Interlead flash shall not exceed .017 (0,43) per side.
  - E. Reference JEDEC MS-012 variation AA.

## IMPORTANT NOTICE

Texas Instruments Incorporated and its subsidiaries (TI) reserve the right to make corrections, modifications, enhancements, improvements, and other changes to its products and services at any time and to discontinue any product or service without notice. Customers should obtain the latest relevant information before placing orders and should verify that such information is current and complete. All products are sold subject to TI's terms and conditions of sale supplied at the time of order acknowledgment.

TI warrants performance of its hardware products to the specifications applicable at the time of sale in accordance with TI's standard warranty. Testing and other quality control techniques are used to the extent TI deems necessary to support this warranty. Except where mandated by government requirements, testing of all parameters of each product is not necessarily performed.

TI assumes no liability for applications assistance or customer product design. Customers are responsible for their products and applications using TI components. To minimize the risks associated with customer products and applications, customers should provide adequate design and operating safeguards.

TI does not warrant or represent that any license, either express or implied, is granted under any TI patent right, copyright, mask work right, or other TI intellectual property right relating to any combination, machine, or process in which TI products or services are used. Information published by TI regarding third-party products or services does not constitute a license from TI to use such products or services or a warranty or endorsement thereof. Use of such information may require a license from a third party under the patents or other intellectual property of the third party, or a license from TI under the patents or other intellectual property of TI.

Reproduction of TI information in TI data books or data sheets is permissible only if reproduction is without alteration and is accompanied by all associated warranties, conditions, limitations, and notices. Reproduction of this information with alteration is an unfair and deceptive business practice. TI is not responsible or liable for such altered documentation. Information of third parties may be subject to additional restrictions.

Resale of TI products or services with statements different from or beyond the parameters stated by TI for that product or service voids all express and any implied warranties for the associated TI product or service and is an unfair and deceptive business practice. TI is not responsible or liable for any such statements.

TI products are not authorized for use in safety-critical applications (such as life support) where a failure of the TI product would reasonably be expected to cause severe personal injury or death, unless officers of the parties have executed an agreement specifically governing such use. Buyers represent that they have all necessary expertise in the safety and regulatory ramifications of their applications, and acknowledge and agree that they are solely responsible for all legal, regulatory and safety-related requirements concerning their products and any use of TI products in such safety-critical applications, notwithstanding any applications-related information or support that may be provided by TI. Further, Buyers must fully indemnify TI and its representatives against any damages arising out of the use of TI products in such safety-critical applications.

TI products are neither designed nor intended for use in military/aerospace applications or environments unless the TI products are specifically designated by TI as military-grade or "enhanced plastic." Only products designated by TI as military-grade meet military specifications. Buyers acknowledge and agree that any such use of TI products which TI has not designated as military-grade is solely at the Buyer's risk, and that they are solely responsible for compliance with all legal and regulatory requirements in connection with such use.

TI products are neither designed nor intended for use in automotive applications or environments unless the specific TI products are designated by TI as compliant with ISO/TS 16949 requirements. Buyers acknowledge and agree that, if they use any non-designated products in automotive applications, TI will not be responsible for any failure to meet such requirements.

Following are URLs where you can obtain information on other Texas Instruments products and application solutions:

### Products

Amplifiers	<a href="http://amplifier.ti.com">amplifier.ti.com</a>
Data Converters	<a href="http://dataconverter.ti.com">dataconverter.ti.com</a>
DSP	<a href="http://dsp.ti.com">dsp.ti.com</a>
Clocks and Timers	<a href="http://www.ti.com/clocks">www.ti.com/clocks</a>
Interface	<a href="http://interface.ti.com">interface.ti.com</a>
Logic	<a href="http://logic.ti.com">logic.ti.com</a>
Power Mgmt	<a href="http://power.ti.com">power.ti.com</a>
Microcontrollers	<a href="http://microcontroller.ti.com">microcontroller.ti.com</a>
RFID	<a href="http://www.ti-rfid.com">www.ti-rfid.com</a>
RF/IF and ZigBee® Solutions	<a href="http://www.ti.com/lprf">www.ti.com/lprf</a>

### Applications

Audio	<a href="http://www.ti.com/audio">www.ti.com/audio</a>
Automotive	<a href="http://www.ti.com/automotive">www.ti.com/automotive</a>
Broadband	<a href="http://www.ti.com/broadband">www.ti.com/broadband</a>
Digital Control	<a href="http://www.ti.com/digitalcontrol">www.ti.com/digitalcontrol</a>
Medical	<a href="http://www.ti.com/medical">www.ti.com/medical</a>
Military	<a href="http://www.ti.com/military">www.ti.com/military</a>
Optical Networking	<a href="http://www.ti.com/opticalnetwork">www.ti.com/opticalnetwork</a>
Security	<a href="http://www.ti.com/security">www.ti.com/security</a>
Telephony	<a href="http://www.ti.com/telephony">www.ti.com/telephony</a>
Video & Imaging	<a href="http://www.ti.com/video">www.ti.com/video</a>
Wireless	<a href="http://www.ti.com/wireless">www.ti.com/wireless</a>

Mailing Address: Texas Instruments, Post Office Box 655303, Dallas, Texas 75265  
Copyright 2008, Texas Instruments Incorporated