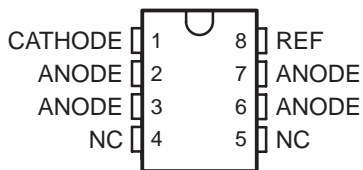


# TL431, TL431A, TL431B TL432, TL432A, TL432B ADJUSTABLE PRECISION SHUNT REGULATORS

SLVS543H – AUGUST 2004 – REVISED JANUARY 2005

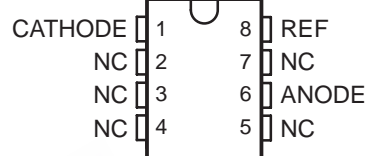
- Operation From  $-40^{\circ}\text{C}$  to  $125^{\circ}\text{C}$
- Reference Voltage Tolerance at  $25^{\circ}\text{C}$ 
  - 0.5% . . . B Grade
  - 1% . . . A Grade
  - 2% . . . Standard Grade
- Typical Temperature Drift (TL431B)
  - 6 mV (C Temp)
  - 14 mV (I Temp, Q Temp)
- Low Output Noise
- 0.2- $\Omega$  Typical Output Impedance
- Sink-Current Capability . . . 1 mA to 100 mA
- Adjustable Output Voltage . . .  $V_{\text{ref}}$  to 36 V

TL431, TL431A, TL431B . . . D (SOIC) PACKAGE  
(TOP VIEW)



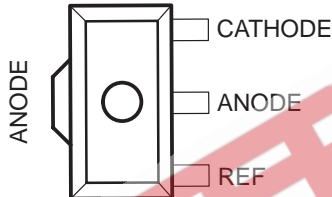
NC – No internal connection

TL431, TL431A, TL431B . . . P (PDIP), PS (SOP),  
OR PW (TSSOP) PACKAGE  
(TOP VIEW)

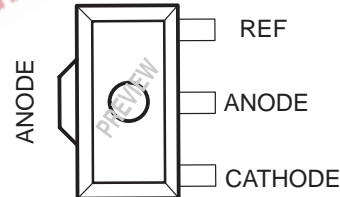


NC – No internal connection

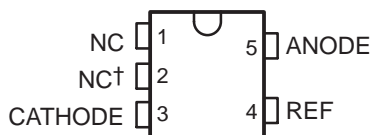
TL431, TL431A, TL431B . . . PK (SOT-89) PACKAGE  
(TOP VIEW)



TL432, TL432A, TL432B . . . PK (SOT-89) PACKAGE  
(TOP VIEW)



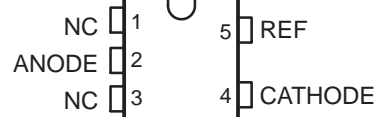
TL431, TL431A, TL431B . . . DBV (SOT-23-5) PACKAGE  
(TOP VIEW)



NC – No internal connection

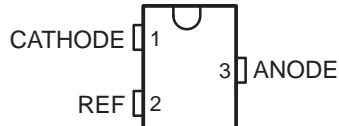
† Pin 2 is connected internally to ANODE (die substrate) and should be floating or connected to ANODE.

TL432, TL432A, TL432B . . . DBV (SOT-23-5) PACKAGE  
(TOP VIEW)

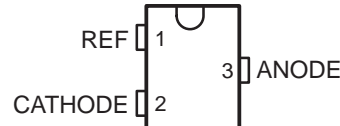


NC – No internal connection

TL431, TL431A, TL431B . . . DBZ (SOT-23-3) PACKAGE  
(TOP VIEW)



TL432, TL432A, TL432B . . . DBZ (SOT-23-3) PACKAGE  
(TOP VIEW)



Please be aware that an important notice concerning availability, standard warranty, and use in critical applications of Texas Instruments semiconductor products and disclaimers thereto appears at the end of this data sheet.

PowerFLEX is a trademark of Texas Instruments.

PRODUCTION DATA information is current as of publication date. Products conform to specifications per the terms of Texas Instruments standard warranty. Production processing does not necessarily include testing of all parameters.

**TEXAS  
INSTRUMENTS**

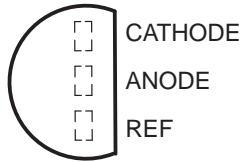
POST OFFICE BOX 655303 • DALLAS, TEXAS 75265

Copyright © 2005, Texas Instruments Incorporated

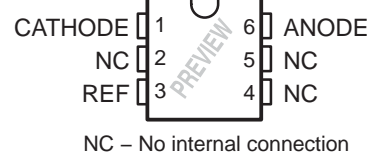
# TL431, TL431A, TL431B TL432, TL432A, TL432B ADJUSTABLE PRECISION SHUNT REGULATORS

SLVS543H – AUGUST 2004 – REVISED JANUARY 2005

TL431, TL431A, TL431B . . . LP (TO-92/TO-226) PACKAGE  
(TOP VIEW)

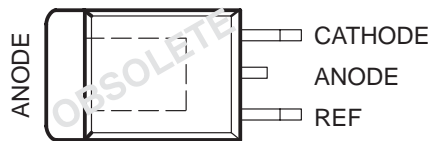


TL431A, TL431B . . . DCK (SC-70) PACKAGE  
(TOP VIEW)



NC – No internal connection

TL431 . . . KTP (PowerFLEX™/TO-252) PACKAGE  
(TOP VIEW)



## description/ordering information

The TL431 and TL432 are three-terminal adjustable shunt regulators, with specified thermal stability over applicable automotive, commercial, and military temperature ranges. The output voltage can be set to any value between  $V_{ref}$  (approximately 2.5 V) and 36 V, with two external resistors (see Figure 17). These devices have a typical output impedance of 0.2  $\Omega$ . Active output circuitry provides a very sharp turn-on characteristic, making these devices excellent replacements for Zener diodes in many applications, such as onboard regulation, adjustable power supplies, and switching power supplies. The TL432 has exactly the same functionality and electrical specifications as the TL431, but has different pinouts for the DBV, DBZ, and PK packages.

Both the TL431 and TL432 devices are offered in three grades, with initial tolerances (at 25°C) of 0.5%, 1%, and 2%, for the B, A, and standard grade, respectively. In addition, low output drift vs temperature ensures good stability over the entire temperature range.

The TL43xxC devices are characterized for operation from 0°C to 70°C, the TL43xxI devices are characterized for operation from –40°C to 85°C, and the TL43xxQ devices are characterized for operation from –40°C to 125°C.

**TL431, TL431A, TL431B**  
**TL432, TL432A, TL432B**  
**ADJUSTABLE PRECISION SHUNT REGULATORS**  
 SLVS543H – AUGUST 2004 – REVISED JANUARY 2005

**$V_{ref}$  TOLERANCE (25°C) = 2%**  
**TL431, TL432 ORDERING INFORMATION**

TA	PACKAGE†		ORDERABLE PART NUMBER	TOP-SIDE MARKING‡
0°C to 70°C	PDIP (P)	Tube of 50	TL431CP	TL431CP
	SOIC (D)	Tube of 75	TL431CD	TL431C
		Reel of 2500	TL431CDR	
	SOP (PS)	Reel of 2000	TL431CPSR	T431
	SOT-23-5 (DBV)	Reel of 3000	TL431CDBVR	T3C_
		Reel of 250	TL431CDBVT	
		Reel of 3000	TL432CDBVR	T4C_
		Reel of 250	TL432CDBVT	
	SOT-23-3 (DBZ)	Reel of 3000	TL431CDBZR	T3C_
		Reel of 250	TL431CDBZT	
		Reel of 3000	TL432CDBZR	T4C_
		Reel of 250	TL432CDBZT	
	SOT-89 (PK)	Reel of 1000	TL431CPK	43
			TL432CPK	PREVIEW
	TO-226/TO-92 (LP)	Bulk of 1000	TL431CLP	TL431C
		Ammo of 2000	TL431CLPM	
Reel of 2000		TL431CLPR		
TSSOP (PW)	Tube of 150	TL431CPW	T431	
	Reel of 2000	TL431CPWR		
-40°C to 85°C	PDIP (P)	Tube of 50	TL431IP	TL431IP
	SOIC (D)	Tube of 75	TL431ID	TL431I
		Reel of 2500	TL431IDR	
	SOT-23-5 (DBV)	Reel of 3000	TL431IDBVR	T3I_
		Reel of 250	TL431IDBVT	
		Reel of 3000	TL432IDBVR	T4I_
		Reel of 250	TL432IDBVT	
	SOT-23-3 (DBZ)	Reel of 3000	TL431IDBZR	T3I_
		Reel of 250	TL431IDBZT	
		Reel of 3000	TL432IDBZR	T4I_
		Reel of 250	TL432IDBZT	
	SOT-89 (PK)	Reel of 1000	TL431IPK	3I
			TL432IPK	PREVIEW
	TO-226/TO-92 (LP)	Bulk of 1000	TL431ILP	TL431I
		Reel of 2000	TL431ILPR	

† Package drawings, standard packing quantities, thermal data, symbolization, and PCB design guidelines are available at [www.ti.com/sc/package](http://www.ti.com/sc/package).

‡ DBV/DBZ: The actual top-side marking has one additional character that designates the assembly/test site.

**TL431, TL431A, TL431B  
TL432, TL432A, TL432B  
ADJUSTABLE PRECISION SHUNT REGULATORS**

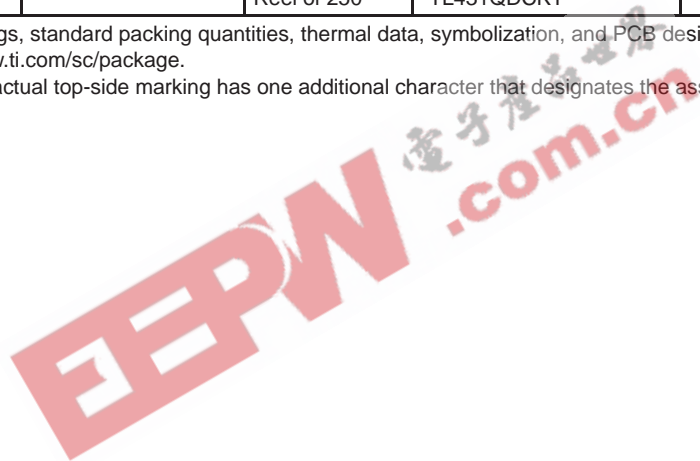
SLVS543H – AUGUST 2004 – REVISED JANUARY 2005

**V<sub>ref</sub> TOLERANCE (25°C) = 2%  
TL431, TL432 ORDERING INFORMATION**

TA	PACKAGE†		ORDERABLE PART NUMBER	TOP-SIDE MARKING‡
-40°C to 125°C	SOT-23-5 (DBV)	Reel of 3000	TL431QDBVR	T3Q_
		Reel of 250	TL431QDBVT	
		Reel of 3000	TL432QDBVR	T4Q_
		Reel of 250	TL432QDBVT	
	SOT-23-3 (DBZ)	Reel of 3000	TL431QDBZR	T3Q_
		Reel of 250	TL431QDBZT	
		Reel of 3000	TL432QDBZR	T4Q_
		Reel of 250	TL432QDBZT	
	SOT-89 (PK)	Reel of 1000	TL431QPK	PREVIEW
			TL432QPK	
	SC-70 (DCK)	Reel of 1000	TL431QDCKR	PREVIEW
			Reel of 250	

† Package drawings, standard packing quantities, thermal data, symbolization, and PCB design guidelines are available at [www.ti.com/sc/package](http://www.ti.com/sc/package).

‡ DBV/DBZ: The actual top-side marking has one additional character that designates the assembly/test site.



**TL431, TL431A, TL431B**  
**TL432, TL432A, TL432B**  
**ADJUSTABLE PRECISION SHUNT REGULATORS**  
 SLVS543H – AUGUST 2004 – REVISED JANUARY 2005

**$V_{ref}$  TOLERANCE (25°C) = 1%**  
**TL431A, TL432A ORDERING INFORMATION**

<b>T<sub>A</sub></b>	<b>PACKAGE†</b>		<b>ORDERABLE PART NUMBER</b>	<b>TOP-SIDE MARKING‡</b>
0°C to 70°C	PDIP (P)	Tube of 50	TL431ACP	TL431ACP
	SC-70 (DCK)	Reel of 3000	TL431ACDCKR	PREVIEW
		Reel of 250	TL431ACDCKT	
	SOIC (D)	Tube of 75	TL431ACD	431AC
		Reel of 2500	TL431ACDR	
	SOP (PS)	Reel of 2000	TL431ACPSR	T431A
	SOT-23-5 (DBV)	Reel of 3000	TL431ACDBVR	TAC_
		Reel of 250	TL431ACDBVT	
		Reel of 3000	TL432ACDBVR	T4B_
		Reel of 250	TL432ACDBVT	
	SOT-23-3 (DBZ)	Reel of 3000	TL431ACDBZR	TAC_
		Reel of 250	TL431ACDBZT	
		Reel of 3000	TL432ACDBZR	T4B_
		Reel of 250	TL432ACDBZT	
	SOT-89 (PK)	Reel of 1000	TL431ACPK	4A
			TL432ACPK	PREVIEW
	TO-226/TO-92 (LP)	Bulk of 1000	TL431ACL	TL431AC
		Ammo of 2000	TL431ACLPM	
Reel of 2000		TL431ACLPR		
Reel of 2000		TL431ACLPRE3		
TSSOP (PW)	Tube of 150	TL431ACPW	T431A	
	Reel of 2000	TL431ACPWR		

† Package drawings, standard packing quantities, thermal data, symbolization, and PCB design guidelines are available at [www.ti.com/sc/package](http://www.ti.com/sc/package).

‡ DBV/DBZ/DCK: The actual top-side marking has one additional character that designates the assembly/test site.

**TL431, TL431A, TL431B  
TL432, TL432A, TL432B  
ADJUSTABLE PRECISION SHUNT REGULATORS**

SLVS543H – AUGUST 2004 – REVISED JANUARY 2005

**V<sub>ref</sub> TOLERANCE (25°C) = 1%  
TL431A, TL432A ORDERING INFORMATION**

TA	PACKAGE†		ORDERABLE PART NUMBER	TOP-SIDE MARKING‡
-40°C to 85°C	PDIP (P)	Tube of 50	TL431AIP	TL431AIP
	SC-70 (DCK)	Reel of 3000	TL431AIDCKR	PREVIEW
		Reel of 250	TL431AIDCKT	
	SOIC (D)	Tube of 75	TL431AID	431AI
		Reel of 2500	TL431AIDR	
	SOT-23-5 (DBV)	Reel of 3000	TL431AIDBVR	TAI <sub>-</sub>
		Reel of 250	TL431AIDBVT	
		Reel of 3000	TL432AIDBVR	T4A <sub>-</sub>
		Reel of 250	TL432AIDBVT	
	SOT-23-3 (DBZ)	Reel of 3000	TL431AIDBZR	TAI <sub>-</sub>
		Reel of 250	TL431AIDBZT	
		Reel of 3000	TL432AIDBZR	T4A <sub>-</sub>
		Reel of 250	TL432AIDBZT	
	SOT-89 (PK)	Reel of 1000	TL431AIPK	4B
			TL432AIPK	PREVIEW
	TO-226/TO-92 (LP)	Bulk of 1000	TL431AILP	TL431AI
Ammo of 2000		TL431AILPM		
Reel of 2000		TL431AILPR		
-40°C to 125°C	SOT-23-5 (DBV)	Reel of 3000	TL431AQDBVR	TAQ <sub>-</sub>
		Reel of 250	TL431AQDBVT	T4D <sub>-</sub>
		Reel of 3000	TL432AQDBVR	
		Reel of 250	TL432AQDBVT	
	SOT-23-3 (DBZ)	Reel of 3000	TL431AQDBZR	TAQ <sub>-</sub>
		Reel of 250	TL431AQDBZT	T4D <sub>-</sub>
		Reel of 3000	TL432AQDBZR	
		Reel of 250	TL432AQDBZT	
	SOT-89 (PK)	Reel of 1000	TL431AQPK	
			TL432AQPK	
	SC-70 (PK)	Reel of 1000	TL431AQDCKR	PREVIEW
		Reel of 250	TL432AQDCKT	

† Package drawings, standard packing quantities, thermal data, symbolization, and PCB design guidelines are available at [www.ti.com/sc/package](http://www.ti.com/sc/package).

‡ DBV/DBZ/DCK: The actual top-side marking has one additional character that designates the assembly/test site.

**TL431, TL431A, TL431B**  
**TL432, TL432A, TL432B**  
**ADJUSTABLE PRECISION SHUNT REGULATORS**  
 SLVS543H – AUGUST 2004 – REVISED JANUARY 2005

**V<sub>ref</sub> TOLERANCE (25°C) = 0.5%**  
**TL431B, TL432B ORDERING INFORMATION**

T <sub>A</sub>	PACKAGE†		ORDERABLE PART NUMBER	TOP-SIDE MARKING‡
0°C to 70°C	PDIP (P)	Tube of 50	TL431BCP	TL431BCP
	SC-70 (DCK)	Reel of 3000	TL431BCDCKR	PREVIEW
		Reel of 250	TL431BCDCKT	
	SOIC (D)	Tube of 75	TL431BCD	T431B
		Reel of 2500	TL431BCDR	
	SOP (PS)	Reel of 2000	TL431BCPSR	TL431B
	SOT-23-5 (DBV)	Reel of 3000	TL431BCDBVR	T3G_
		Reel of 250	TL431BCDBVT	
		Reel of 3000	TL432BCDBVR	TBC_
		Reel of 250	TL432BCDBVT	
	SOT-23-3 (DBZ)	Reel of 3000	TL431BCDBZR	T3G_
		Reel of 250	TL431BCDBZT	
		Reel of 3000	TL432BCDBZR	TBC_
		Reel of 250	TL432BCDBZT	
	SOT-89 (PK)	Reel of 1000	TL431BCPK	PREVIEW
			TL432BCPK	
	TO-226/TO-92 (LP)	Bulk of 1000	TL431BCLP	TL431B
		Ammo of 2000	TL431BCLPM	
Reel of 2000		TL431BCLPR		
TSSOP (PW)	Tube of 150	TL431BCPW	T431B	
	Reel of 2000	TL431BCPWR		
-40°C to 85°C	PDIP (P)	Tube of 50	TL431BIP	TL431BIP
	SC-70 (DCK)	Reel of 3000	TL431BIDCKR	PREVIEW
		Reel of 250	TL431BIDCKT	
	SOIC (D)	Tube of 75	TL431BID	Z431B
		Reel of 2500	TL431BIDR	
	SOT-23-5 (DBV)	Reel of 3000	TL431BIDBVR	T3F_
		Reel of 250	TL431BIDBVT	
		Reel of 3000	TL432BIDBVR	T4F_
		Reel of 250	TL432BIDBVT	
	SOT-23-3 (DBZ)	Reel of 3000	TL431BIDBZR	T3F_
		Reel of 250	TL431BIDBZT	
		Reel of 3000	TL432BIDBZR	T4F_
		Reel of 250	TL432BIDBZT	
	SOT-89 (PK)	Reel of 1000	TL431BIPK	PREVIEW
			TL432BIPK	
	TO-226/TO-92 (LP)	Bulk of 1000	TL431BILP	Z431B
		Reel of 2000	TL431BILPR	

† Package drawings, standard packing quantities, thermal data, symbolization, and PCB design guidelines are available at [www.ti.com/sc/package](http://www.ti.com/sc/package).

‡ DBV/DBZ/DCK: The actual top-side marking has one additional character that designates the assembly/test site.

**TL431, TL431A, TL431B  
TL432, TL432A, TL432B  
ADJUSTABLE PRECISION SHUNT REGULATORS**

SLVS543H – AUGUST 2004 – REVISED JANUARY 2005

**$V_{ref}$  TOLERANCE (25°C) = 0.5%  
TL431B, TL432B ORDERING INFORMATION (CONTINUED)**

TA	PACKAGE†		ORDERABLE PART NUMBER	TOP-SIDE MARKING‡
-40°C to 125°C	SOIC (D)	Tube of 75	TL431BQD	T431BQ
		Reel of 2500	TL431BQDR	
	SOT-23-5 (DBV)	Reel of 3000	TL431BQDBVR	T3H_
			Reel of 250	
		Reel of 3000	TL432BQDBVR	T4H_
			Reel of 250	
	SOT-23-3 (DBZ)	Reel of 3000	TL431BQDBZR	T3H_
			Reel of 250	
		Reel of 3000	TL432BQDBZR	T4H_
			Reel of 250	
	SOT-89 (PK)	Reel of 1000	TL431BQPK TL432BQPK	PREVIEW
	TO-226/TO-92 (LP)	Bulk of 1000	TL431BQLP	T431BQ
		Ammo of 2000	TL431BQLPM	
		Reel of 2000	TL431BQLPR	
SC-70 (DCK)	Reel of 1000	TL431BQDCKR	PREVIEW	
		Reel of 250		TL431BQDCKT

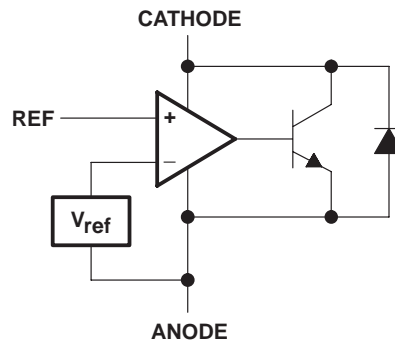
† Package drawings, standard packing quantities, thermal data, symbolization, and PCB design guidelines are available at [www.ti.com/sc/package](http://www.ti.com/sc/package).

‡ DBV/DBZ: The actual top-side marking has one additional character that designates the assembly/test site.

**symbol**



**functional block diagram**

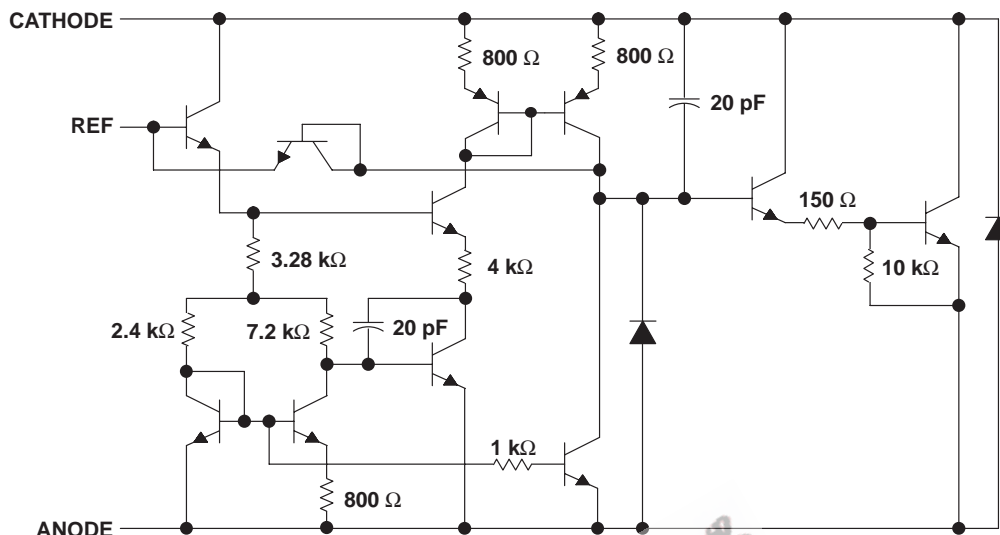




**TL431, TL431A, TL431B**  
**TL432, TL432A, TL432B**  
**ADJUSTABLE PRECISION SHUNT REGULATORS**

SLVS543H – AUGUST 2004 – REVISED JANUARY 2005

**equivalent schematic†**



† All component values are nominal.

**absolute maximum ratings over operating free-air temperature range (unless otherwise noted)‡**

Cathode voltage, $V_{KA}$ (see Note 1)	37 V
Continuous cathode current range, $I_{KA}$	-100 mA to 150 mA
Reference input current range	-50 $\mu$ A to 10 mA
Operating virtual junction temperature, $T_J$	150°C
Storage temperature range, $T_{stg}$	-65°C to 150°C

‡ Stresses beyond those listed under "absolute maximum ratings" may cause permanent damage to the device. These are stress ratings only, and functional operation of the device at these or any other conditions beyond those indicated under "recommended operating conditions" is not implied. Exposure to absolute-maximum-rated conditions for extended periods may affect device reliability.

NOTE 1: Voltage values are with respect to the ANODE terminal, unless otherwise noted.

**package thermal data (see Note 2)**

PACKAGE	BOARD	$\theta_{JC}$	$\theta_{JA}$
PDIP (P)	High K, JESD 51-7	57°C/W	85°C/W
SC-70 (DCK)	High K, JESD 51-7	259°C/W	87°C/W
SOIC (D)	High K, JESD 51-7	39°C/W	97°C/W
SOP (PS)	High K, JESD 51-7	46°C/W	95°C/W
SOT-89 (PK)	High K, JESD 51-7	9°C/W	52°C/W
SOT-23-5 (DBV)	High K, JESD 51-7	131°C/W	206°C/W
SOT-23-3 (DBZ)	High K, JESD 51-7	76°C/W	206°C/W
TO-92 (LP)	High K, JESD 51-7	55°C/W	140°C/W
TSSOP (PW)	High K, JESD 51-7	65°C/W	149°C/W

NOTE 2: Maximum power dissipation is a function of  $T_J(\max)$ ,  $\theta_{JA}$ , and  $T_A$ . The maximum allowable power dissipation at any allowable ambient temperature is  $P_D = (T_J(\max) - T_A)/\theta_{JA}$ . Operating at the absolute maximum  $T_J$  of 150°C can affect reliability.

**TL431, TL431A, TL431B**  
**TL432, TL432A, TL432B**  
**ADJUSTABLE PRECISION SHUNT REGULATORS**

SLVS543H – AUGUST 2004 – REVISED JANUARY 2005

**recommended operating conditions**

		MIN	MAX	UNIT	
V <sub>KA</sub>	Cathode voltage	V <sub>ref</sub>	36	V	
I <sub>KA</sub>	Cathode current	1	100	mA	
T <sub>A</sub>	Operating free-air temperature range	TL43xxC	0	70	°C
		TL43xxI	-40	85	
		TL43xxQ	-40	125	

EEPW.com.cn

電子產品世界

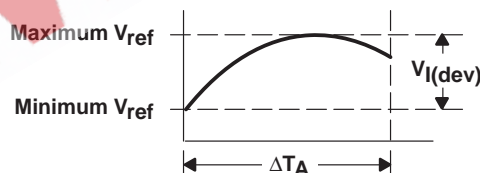
**TL431, TL431A, TL431B**  
**TL432, TL432A, TL432B**  
**ADJUSTABLE PRECISION SHUNT REGULATORS**  
 SLVS543H – AUGUST 2004 – REVISED JANUARY 2005

electrical characteristics over recommended operating conditions,  $T_A = 25^\circ\text{C}$  (unless otherwise noted)

PARAMETER	TEST CIRCUIT	TEST CONDITIONS	TL431C TL432C			UNIT	
			MIN	TYP	MAX		
$V_{\text{ref}}$ Reference voltage	2	$V_{KA} = V_{\text{ref}}, I_{KA} = 10\text{ mA}$	2440	2495	2550	mV	
$V_{I(\text{dev})}$ Deviation of reference voltage over full temperature range (see Figure 1)	2	$V_{KA} = V_{\text{ref}}, I_{KA} = 10\text{ mA}, T_A = 0^\circ\text{C to } 70^\circ\text{C}$	SOT23-3 and TL432 devices		6	16	mV
			All other devices		4	25	
$\frac{\Delta V_{\text{ref}}}{\Delta V_{KA}}$ Ratio of change in reference voltage to the change in cathode voltage	3	$I_{KA} = 10\text{ mA}$	$\Delta V_{KA} = 10\text{ V} - V_{\text{ref}}$		-1.4	-2.7	$\frac{\text{mV}}{\text{V}}$
			$\Delta V_{KA} = 36\text{ V} - 10\text{ V}$		-1	-2	
$I_{\text{ref}}$ Reference current	3	$I_{KA} = 10\text{ mA}, R_1 = 10\text{ k}\Omega, R_2 = \infty$			2	4	$\mu\text{A}$
$I_{I(\text{dev})}$ Deviation of reference current over full temperature range (see Figure 1)	3	$I_{KA} = 10\text{ mA}, R_1 = 10\text{ k}\Omega, R_2 = \infty, T_A = 0^\circ\text{C to } 70^\circ\text{C}$			0.4	1.2	$\mu\text{A}$
$I_{\text{min}}$ Minimum cathode current for regulation	2	$V_{KA} = V_{\text{ref}}$			0.4	1	mA
$I_{\text{off}}$ Off-state cathode current	4	$V_{KA} = 36\text{ V}, V_{\text{ref}} = 0$			0.1	1	$\mu\text{A}$
$ z_{KA} $ Dynamic impedance (see Figure 1)	1	$I_{KA} = 1\text{ mA to } 100\text{ mA}, V_{KA} = V_{\text{ref}}, f \leq 1\text{ kHz}$			0.2	0.5	$\Omega$

The deviation parameters  $V_{\text{ref}(\text{dev})}$  and  $I_{\text{ref}(\text{dev})}$  are defined as the differences between the maximum and minimum values obtained over the recommended temperature range. The average full-range temperature coefficient of the reference voltage,  $\alpha_{V_{\text{ref}}}$ , is defined as:

$$|\alpha_{V_{\text{ref}}}| \left( \frac{\text{ppm}}{^\circ\text{C}} \right) = \frac{\left( \frac{V_{I(\text{dev})}}{V_{\text{ref at } 25^\circ\text{C}}} \right) \times 10^6}{\Delta T_A}$$



where:

$\Delta T_A$  is the recommended operating free-air temperature range of the device.

$\alpha_{V_{\text{ref}}}$  can be positive or negative, depending on whether minimum  $V_{\text{ref}}$  or maximum  $V_{\text{ref}}$ , respectively, occurs at the lower temperature.

Example: maximum  $V_{\text{ref}} = 2496\text{ mV}$  at  $30^\circ\text{C}$ , minimum  $V_{\text{ref}} = 2492\text{ mV}$  at  $0^\circ\text{C}$ ,  $V_{\text{ref}} = 2495\text{ mV}$  at  $25^\circ\text{C}$ ,  $\Delta T_A = 70^\circ\text{C}$  for TL431C

$$|\alpha_{V_{\text{ref}}}| = \frac{\left( \frac{4\text{ mV}}{2495\text{ mV}} \right) \times 10^6}{70^\circ\text{C}} \approx \frac{23\text{ ppm}}{^\circ\text{C}}$$

Because minimum  $V_{\text{ref}}$  occurs at the lower temperature, the coefficient is positive.

### Calculating Dynamic Impedance

The dynamic impedance is defined as:  $|z_{KA}| = \frac{\Delta V_{KA}}{\Delta I_{KA}}$

When the device is operating with two external resistors (see Figure 3), the total dynamic impedance of the circuit is given by:

$$|z'| = \frac{\Delta V}{\Delta I} \approx |z_{KA}| \left( 1 + \frac{R_1}{R_2} \right)$$

Figure 1. Calculating Deviation Parameters and Dynamic Impedance

**TL431, TL431A, TL431B  
TL432, TL432A, TL432B  
ADJUSTABLE PRECISION SHUNT REGULATORS**

SLVS543H – AUGUST 2004 – REVISED JANUARY 2005

electrical characteristics over recommended operating conditions,  $T_A = 25^\circ\text{C}$  (unless otherwise noted)

PARAMETER	TEST CIRCUIT	TEST CONDITIONS	TL431I TL432I			UNIT	
			MIN	TYP	MAX		
$V_{\text{ref}}$ Reference voltage	2	$V_{\text{KA}} = V_{\text{ref}}$ , $I_{\text{KA}} = 10 \text{ mA}$	2440	2495	2550	mV	
$V_{\text{I(dev)}}$ Deviation of reference voltage over full temperature range (see Figure 1)	2	$V_{\text{KA}} = V_{\text{ref}}$ , $I_{\text{KA}} = 10 \text{ mA}$ , $T_A = -40^\circ\text{C}$ to $85^\circ\text{C}$	SOT23-3 and TL432 devices		14	34	mV
			All other devices		5	50	
$\frac{\Delta V_{\text{ref}}}{\Delta V_{\text{KA}}}$ Ratio of change in reference voltage to the change in cathode voltage	3	$I_{\text{KA}} = 10 \text{ mA}$	$\Delta V_{\text{KA}} = 10 \text{ V} - V_{\text{ref}}$		-1.4	-2.7	$\frac{\text{mV}}{\text{V}}$
			$\Delta V_{\text{KA}} = 36 \text{ V} - 10 \text{ V}$		-1	-2	
$I_{\text{ref}}$ Reference current	3	$I_{\text{KA}} = 10 \text{ mA}$ , $R_1 = 10 \text{ k}\Omega$ , $R_2 = \infty$			2	4	$\mu\text{A}$
$I_{\text{I(dev)}}$ Deviation of reference current over full temperature range (see Figure 1)	3	$I_{\text{KA}} = 10 \text{ mA}$ , $R_1 = 10 \text{ k}\Omega$ , $R_2 = \infty$ , $T_A = -40^\circ\text{C}$ to $85^\circ\text{C}$			0.8	2.5	$\mu\text{A}$
$I_{\text{min}}$ Minimum cathode current for regulation	2	$V_{\text{KA}} = V_{\text{ref}}$			0.4	1	mA
$I_{\text{off}}$ Off-state cathode current	4	$V_{\text{KA}} = 36 \text{ V}$ , $V_{\text{ref}} = 0$			0.1	1	$\mu\text{A}$
$ z_{\text{KA}} $ Dynamic impedance (see Figure 1)	2	$I_{\text{KA}} = 1 \text{ mA}$ to $100 \text{ mA}$ , $V_{\text{KA}} = V_{\text{ref}}$ , $f \leq 1 \text{ kHz}$			0.2	0.5	$\Omega$

electrical characteristics over recommended operating conditions,  $T_A = 25^\circ\text{C}$  (unless otherwise noted)

PARAMETER	TEST CIRCUIT	TEST CONDITIONS	TL431Q TL432Q			UNIT	
			MIN	TYP	MAX		
$V_{\text{ref}}$ Reference voltage	2	$V_{\text{KA}} = V_{\text{ref}}$ , $I_{\text{KA}} = 10 \text{ mA}$	2440	2495	2550	mV	
$V_{\text{I(dev)}}$ Deviation of reference voltage over full temperature range (see Figure 1)	2	$V_{\text{KA}} = V_{\text{ref}}$ , $I_{\text{KA}} = 10 \text{ mA}$ , $T_A = -40^\circ\text{C}$ to $125^\circ\text{C}$			14	34	mV
$\frac{\Delta V_{\text{ref}}}{\Delta V_{\text{KA}}}$ Ratio of change in reference voltage to the change in cathode voltage	3	$I_{\text{KA}} = 10 \text{ mA}$	$\Delta V_{\text{KA}} = 10 \text{ V} - V_{\text{ref}}$		-1.4	-2.7	$\frac{\text{mV}}{\text{V}}$
			$\Delta V_{\text{KA}} = 36 \text{ V} - 10 \text{ V}$		-1	-2	
$I_{\text{ref}}$ Reference current	3	$I_{\text{KA}} = 10 \text{ mA}$ , $R_1 = 10 \text{ k}\Omega$ , $R_2 = \infty$			2	4	$\mu\text{A}$
$I_{\text{I(dev)}}$ Deviation of reference current over full temperature range (see Figure 1)	3	$I_{\text{KA}} = 10 \text{ mA}$ , $R_1 = 10 \text{ k}\Omega$ , $R_2 = \infty$ , $T_A = -40^\circ\text{C}$ to $125^\circ\text{C}$			0.8	2.5	$\mu\text{A}$
$I_{\text{min}}$ Minimum cathode current for regulation	2	$V_{\text{KA}} = V_{\text{ref}}$			0.4	1	mA
$I_{\text{off}}$ Off-state cathode current	4	$V_{\text{KA}} = 36 \text{ V}$ , $V_{\text{ref}} = 0$			0.1	1	$\mu\text{A}$
$ z_{\text{KA}} $ Dynamic impedance (see Figure 1)	2	$I_{\text{KA}} = 1 \text{ mA}$ to $100 \text{ mA}$ , $V_{\text{KA}} = V_{\text{ref}}$ , $f \leq 1 \text{ kHz}$			0.2	0.5	$\Omega$

**TL431, TL431A, TL431B**  
**TL432, TL432A, TL432B**  
**ADJUSTABLE PRECISION SHUNT REGULATORS**

SLVS543H – AUGUST 2004 – REVISED JANUARY 2005

electrical characteristics over recommended operating conditions,  $T_A = 25^\circ\text{C}$  (unless otherwise noted)

PARAMETER	TEST CIRCUIT	TEST CONDITIONS	TL431AC TL432AC			UNIT	
			MIN	TYP	MAX		
$V_{\text{ref}}$ Reference voltage	2	$V_{KA} = V_{\text{ref}}$ , $I_{KA} = 10\text{ mA}$	2470	2495	2520	mV	
$V_I(\text{dev})$ Deviation of reference voltage over full temperature range (see Figure 1)	2	$V_{KA} = V_{\text{ref}}$ , $I_{KA} = 10\text{ mA}$ , $T_A = 0^\circ\text{C}$ to $70^\circ\text{C}$	SOT23-3, SC-70, and TL432 devices		6	16	mV
			All other devices		4	25	
$\frac{\Delta V_{\text{ref}}}{\Delta V_{KA}}$ Ratio of change in reference voltage to the change in cathode voltage	3	$I_{KA} = 10\text{ mA}$	$\Delta V_{KA} = 10\text{ V} - V_{\text{ref}}$		-1.4	-2.7	$\frac{\text{mV}}{\text{V}}$
			$\Delta V_{KA} = 36\text{ V} - 10\text{ V}$		-1	-2	
$I_{\text{ref}}$ Reference current	3	$I_{KA} = 10\text{ mA}$ , $R_1 = 10\text{ k}\Omega$ , $R_2 = \infty$			2	4	$\mu\text{A}$
$I_I(\text{dev})$ Deviation of reference current over full temperature range (see Figure 1)	3	$I_{KA} = 10\text{ mA}$ , $R_1 = 10\text{ k}\Omega$ , $R_2 = \infty$ , $T_A = 0^\circ\text{C}$ to $70^\circ\text{C}$			0.8	1.2	$\mu\text{A}$
$I_{\text{min}}$ Minimum cathode current for regulation	2	$V_{KA} = V_{\text{ref}}$			0.4	0.6	mA
$I_{\text{off}}$ Off-state cathode current	4	$V_{KA} = 36\text{ V}$ , $V_{\text{ref}} = 0$			0.1	0.5	$\mu\text{A}$
$ z_{KA} $ Dynamic impedance (see Figure 1)	1	$I_{KA} = 1\text{ mA}$ to $100\text{ mA}$ , $V_{KA} = V_{\text{ref}}$ , $f \leq 1\text{ kHz}$			0.2	0.5	$\Omega$

electrical characteristics over recommended operating conditions,  $T_A = 25^\circ\text{C}$  (unless otherwise noted)

PARAMETER	TEST CIRCUIT	TEST CONDITIONS	TL431AI TL432AI			UNIT	
			MIN	TYP	MAX		
$V_{\text{ref}}$ Reference voltage	2	$V_{KA} = V_{\text{ref}}$ , $I_{KA} = 10\text{ mA}$	2470	2495	2520	mV	
$V_I(\text{dev})$ Deviation of reference voltage over full temperature range (see Figure 1)	2	$V_{KA} = V_{\text{ref}}$ , $I_{KA} = 10\text{ mA}$ , $T_A = -40^\circ\text{C}$ to $85^\circ\text{C}$	SOT23-3, SC-70, and TL432 devices		14	34	mV
			All other packages		5	50	
$\frac{\Delta V_{\text{ref}}}{\Delta V_{KA}}$ Ratio of change in reference voltage to the change in cathode voltage	3	$I_{KA} = 10\text{ mA}$	$\Delta V_{KA} = 10\text{ V} - V_{\text{ref}}$		-1.4	-2.7	$\frac{\text{mV}}{\text{V}}$
			$\Delta V_{KA} = 36\text{ V} - 10\text{ V}$		-1	-2	
$I_{\text{ref}}$ Reference current	3	$I_{KA} = 10\text{ mA}$ , $R_1 = 10\text{ k}\Omega$ , $R_2 = \infty$			2	4	$\mu\text{A}$
$I_I(\text{dev})$ Deviation of reference current over full temperature range (see Figure 1)	3	$I_{KA} = 10\text{ mA}$ , $R_1 = 10\text{ k}\Omega$ , $R_2 = \infty$ , $T_A = -40^\circ\text{C}$ to $85^\circ\text{C}$			0.8	2.5	$\mu\text{A}$
$I_{\text{min}}$ Minimum cathode current for regulation	2	$V_{KA} = V_{\text{ref}}$			0.4	0.7	mA
$I_{\text{off}}$ Off-state cathode current	4	$V_{KA} = 36\text{ V}$ , $V_{\text{ref}} = 0$			0.1	0.5	$\mu\text{A}$
$ z_{KA} $ Dynamic impedance (see Figure 1)	2	$I_{KA} = 1\text{ mA}$ to $100\text{ mA}$ , $V_{KA} = V_{\text{ref}}$ , $f \leq 1\text{ kHz}$			0.2	0.5	$\Omega$

**TL431, TL431A, TL431B  
TL432, TL432A, TL432B  
ADJUSTABLE PRECISION SHUNT REGULATORS**

SLVS543H – AUGUST 2004 – REVISED JANUARY 2005

electrical characteristics over recommended operating conditions,  $T_A = 25^\circ\text{C}$  (unless otherwise noted)

PARAMETER	TEST CIRCUIT	TEST CONDITIONS	TL431AQ TL432AQ			UNIT
			MIN	TYP	MAX	
$V_{\text{ref}}$ Reference voltage	2	$V_{\text{KA}} = V_{\text{ref}}, I_{\text{KA}} = 10 \text{ mA}$	2470	2495	2520	mV
$V_{\text{I(dev)}}$ Deviation of reference voltage over full temperature range (see Figure 1)	2	$V_{\text{KA}} = V_{\text{ref}}, I_{\text{KA}} = 10 \text{ mA}, T_A = -40^\circ\text{C to } 125^\circ\text{C}$		14	34	mV
$\frac{\Delta V_{\text{ref}}}{\Delta V_{\text{KA}}}$ Ratio of change in reference voltage to the change in cathode voltage	3	$I_{\text{KA}} = 10 \text{ mA}$	$\Delta V_{\text{KA}} = 10 \text{ V} - V_{\text{ref}}$	-1.4	-2.7	$\frac{\text{mV}}{\text{V}}$
			$\Delta V_{\text{KA}} = 36 \text{ V} - 10 \text{ V}$	-1	-2	
$I_{\text{ref}}$ Reference current	3	$I_{\text{KA}} = 10 \text{ mA}, R1 = 10 \text{ k}\Omega, R2 = \infty$		2	4	$\mu\text{A}$
$I_{\text{I(dev)}}$ Deviation of reference current over full temperature range (see Figure 1)	3	$I_{\text{KA}} = 10 \text{ mA}, R1 = 10 \text{ k}\Omega, R2 = \infty, T_A = -40^\circ\text{C to } 125^\circ\text{C}$		0.8	2.5	$\mu\text{A}$
$I_{\text{min}}$ Minimum cathode current for regulation	2	$V_{\text{KA}} = V_{\text{ref}}$		0.4	0.7	mA
$I_{\text{off}}$ Off-state cathode current	4	$V_{\text{KA}} = 36 \text{ V}, V_{\text{ref}} = 0$		0.1	0.5	$\mu\text{A}$
$ z_{\text{KA}} $ Dynamic impedance (see Figure 1)	2	$I_{\text{KA}} = 1 \text{ mA to } 100 \text{ mA}, V_{\text{KA}} = V_{\text{ref}}, f \leq 1 \text{ kHz}$		0.2	0.5	$\Omega$

electrical characteristics over recommended operating conditions,  $T_A = 25^\circ\text{C}$  (unless otherwise noted)

PARAMETER	TEST CIRCUIT	TEST CONDITIONS	TL431BC TL432BC			UNIT
			MIN	TYP	MAX	
$V_{\text{ref}}$ Reference voltage	2	$V_{\text{KA}} = V_{\text{ref}}, I_{\text{KA}} = 10 \text{ mA}$	2483	2495	2507	mV
$V_{\text{I(dev)}}$ Deviation of reference voltage over full temperature range (see Figure 1)	2	$V_{\text{KA}} = V_{\text{ref}}, I_{\text{KA}} = 10 \text{ mA}, T_A = 0^\circ\text{C to } 70^\circ\text{C}$		6	16	mV
$\frac{\Delta V_{\text{ref}}}{\Delta V_{\text{KA}}}$ Ratio of change in reference voltage to the change in cathode voltage	3	$I_{\text{KA}} = 10 \text{ mA}$	$\Delta V_{\text{KA}} = 10 \text{ V} - V_{\text{ref}}$	-1.4	-2.7	$\frac{\text{mV}}{\text{V}}$
			$\Delta V_{\text{KA}} = 36 \text{ V} - 10 \text{ V}$	-1	-2	
$I_{\text{ref}}$ Reference current	3	$I_{\text{KA}} = 10 \text{ mA}, R1 = 10 \text{ k}\Omega, R2 = \infty$		2	4	$\mu\text{A}$
$I_{\text{I(dev)}}$ Deviation of reference current over full temperature range (see Figure 1)	3	$I_{\text{KA}} = 10 \text{ mA}, R1 = 10 \text{ k}\Omega, R2 = \infty, T_A = 0^\circ\text{C to } 70^\circ\text{C}$		0.8	1.2	$\mu\text{A}$
$I_{\text{min}}$ Minimum cathode current for regulation	2	$V_{\text{KA}} = V_{\text{ref}}$		0.4	0.6	mA
$I_{\text{off}}$ Off-state cathode current	4	$V_{\text{KA}} = 36 \text{ V}, V_{\text{ref}} = 0$		0.1	0.5	$\mu\text{A}$
$ z_{\text{KA}} $ Dynamic impedance (see Figure 1)	1	$I_{\text{KA}} = 1 \text{ mA to } 100 \text{ mA}, V_{\text{KA}} = V_{\text{ref}}, f \leq 1 \text{ kHz}$		0.2	0.5	$\Omega$

**TL431, TL431A, TL431B**  
**TL432, TL432A, TL432B**  
**ADJUSTABLE PRECISION SHUNT REGULATORS**

SLVS543H – AUGUST 2004 – REVISED JANUARY 2005

**electrical characteristics over recommended operating conditions,  $T_A = 25^\circ\text{C}$  (unless otherwise noted)**

PARAMETER	TEST CIRCUIT	TEST CONDITIONS	TL431BI TL432BI			UNIT
			MIN	TYP	MAX	
$V_{\text{ref}}$ Reference voltage	2	$V_{\text{KA}} = V_{\text{ref}}, I_{\text{KA}} = 10 \text{ mA}$	2483	2495	2507	mV
$V_{\text{I(dev)}}$ Deviation of reference voltage over full temperature range (see Figure 1)	2	$V_{\text{KA}} = V_{\text{ref}}, I_{\text{KA}} = 10 \text{ mA}, T_A = -40^\circ\text{C} \text{ to } 85^\circ\text{C}$		14	34	mV
$\frac{\Delta V_{\text{ref}}}{\Delta V_{\text{KA}}}$ Ratio of change in reference voltage to the change in cathode voltage	3	$I_{\text{KA}} = 10 \text{ mA}$	$\Delta V_{\text{KA}} = 10 \text{ V} - V_{\text{ref}}$	-1.4	-2.7	$\frac{\text{mV}}{\text{V}}$
			$\Delta V_{\text{KA}} = 36 \text{ V} - 10 \text{ V}$	-1	-2	
$I_{\text{ref}}$ Reference current	3	$I_{\text{KA}} = 10 \text{ mA}, R_1 = 10 \text{ k}\Omega, R_2 = \infty$		2	4	$\mu\text{A}$
$I_{\text{I(dev)}}$ Deviation of reference current over full temperature range (see Figure 1)	3	$I_{\text{KA}} = 10 \text{ mA}, R_1 = 10 \text{ k}\Omega, R_2 = \infty, T_A = -40^\circ\text{C} \text{ to } 85^\circ\text{C}$		0.8	2.5	$\mu\text{A}$
$I_{\text{min}}$ Minimum cathode current for regulation	2	$V_{\text{KA}} = V_{\text{ref}}$		0.4	0.7	mA
$I_{\text{off}}$ Off-state cathode current	4	$V_{\text{KA}} = 36 \text{ V}, V_{\text{ref}} = 0$		0.1	0.5	$\mu\text{A}$
$ z_{\text{KA}} $ Dynamic impedance (see Figure 1)	2	$I_{\text{KA}} = 1 \text{ mA} \text{ to } 100 \text{ mA}, V_{\text{KA}} = V_{\text{ref}}, f \leq 1 \text{ kHz}$		0.2	0.5	$\Omega$

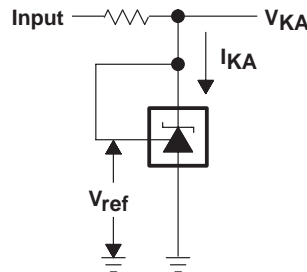
**electrical characteristics over recommended operating conditions,  $T_A = 25^\circ\text{C}$  (unless otherwise noted)**

PARAMETER	TEST CIRCUIT	TEST CONDITIONS	TL431BQ TL432BQ			UNIT
			MIN	TYP	MAX	
$V_{\text{ref}}$ Reference voltage	2	$V_{\text{KA}} = V_{\text{ref}}, I_{\text{KA}} = 10 \text{ mA}$	2483	2495	2507	mV
$V_{\text{I(dev)}}$ Deviation of reference voltage over full temperature range (see Figure 1)	2	$V_{\text{KA}} = V_{\text{ref}}, I_{\text{KA}} = 10 \text{ mA}, T_A = -40^\circ\text{C} \text{ to } 125^\circ\text{C}$		14	34	mV
$\frac{\Delta V_{\text{ref}}}{\Delta V_{\text{KA}}}$ Ratio of change in reference voltage to the change in cathode voltage	3	$I_{\text{KA}} = 10 \text{ mA}$	$\Delta V_{\text{KA}} = 10 \text{ V} - V_{\text{ref}}$	-1.4	-2.7	$\frac{\text{mV}}{\text{V}}$
			$\Delta V_{\text{KA}} = 36 \text{ V} - 10 \text{ V}$	-1	-2	
$I_{\text{ref}}$ Reference current	3	$I_{\text{KA}} = 10 \text{ mA}, R_1 = 10 \text{ k}\Omega, R_2 = \infty$		2	4	$\mu\text{A}$
$I_{\text{I(dev)}}$ Deviation of reference current over full temperature range (see Figure 1)	3	$I_{\text{KA}} = 10 \text{ mA}, R_1 = 10 \text{ k}\Omega, R_2 = \infty, T_A = -40^\circ\text{C} \text{ to } 125^\circ\text{C}$		0.8	2.5	$\mu\text{A}$
$I_{\text{min}}$ Minimum cathode current for regulation	2	$V_{\text{KA}} = V_{\text{ref}}$		0.4	0.7	mA
$I_{\text{off}}$ Off-state cathode current	4	$V_{\text{KA}} = 36 \text{ V}, V_{\text{ref}} = 0$		0.1	0.5	$\mu\text{A}$
$ z_{\text{KA}} $ Dynamic impedance (see Figure 1)	1	$I_{\text{KA}} = 1 \text{ mA} \text{ to } 100 \text{ mA}, V_{\text{KA}} = V_{\text{ref}}, f \leq 1 \text{ kHz}$		0.2	0.5	$\Omega$

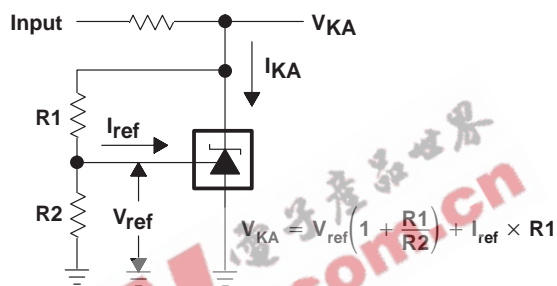
**TL431, TL431A, TL431B  
 TL432, TL432A, TL432B  
 ADJUSTABLE PRECISION SHUNT REGULATORS**

SLVS543H – AUGUST 2004 – REVISED JANUARY 2005

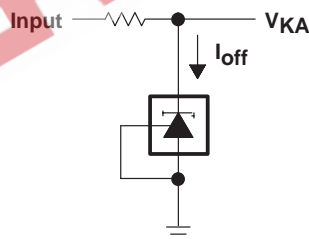
**PARAMETER MEASUREMENT INFORMATION**



**Figure 2. Test Circuit for  $V_{KA} = V_{ref}$**



**Figure 3. Test Circuit for  $V_{KA} > V_{ref}$**



**Figure 4. Test Circuit for  $I_{off}$**



**TL431, TL431A, TL431B**  
**TL432, TL432A, TL432B**  
**ADJUSTABLE PRECISION SHUNT REGULATORS**  
 SLVS543H – AUGUST 2004 – REVISED JANUARY 2005

**TYPICAL CHARACTERISTICS**

**Table 1. Graphs**

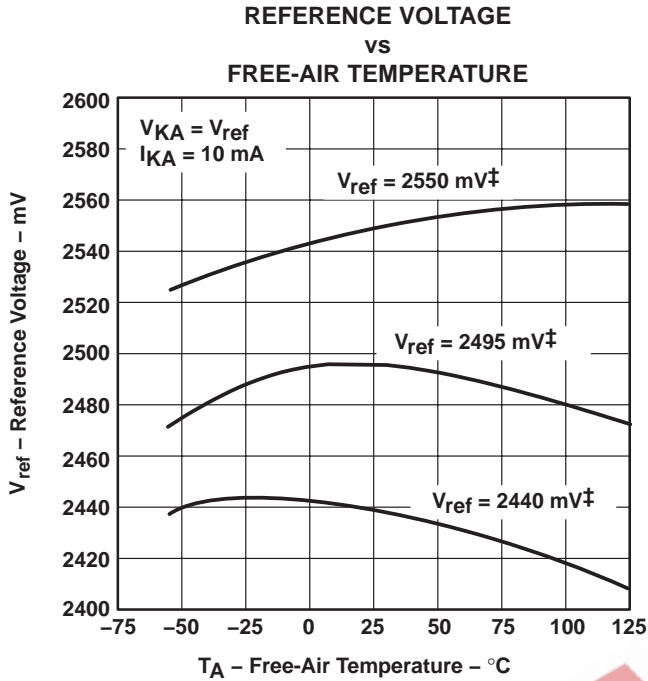
	FIGURE
Reference voltage vs Free-air temperature	5
Reference current vs Free-air temperature	6
Cathode current vs Cathode voltage	7, 8
OFF-state cathode current vs Free-air temperature	9
Ratio of delta reference voltage to delta cathode voltage vs Free-air temperature	10
Equivalent input noise voltage vs Frequency	11
Equivalent input noise voltage over a 10-s period	12
Small-signal voltage amplification vs Frequency	13
Reference impedance vs Frequency	14
Pulse response	15
Stability boundary conditions	16

**Table 2. Application Circuits**

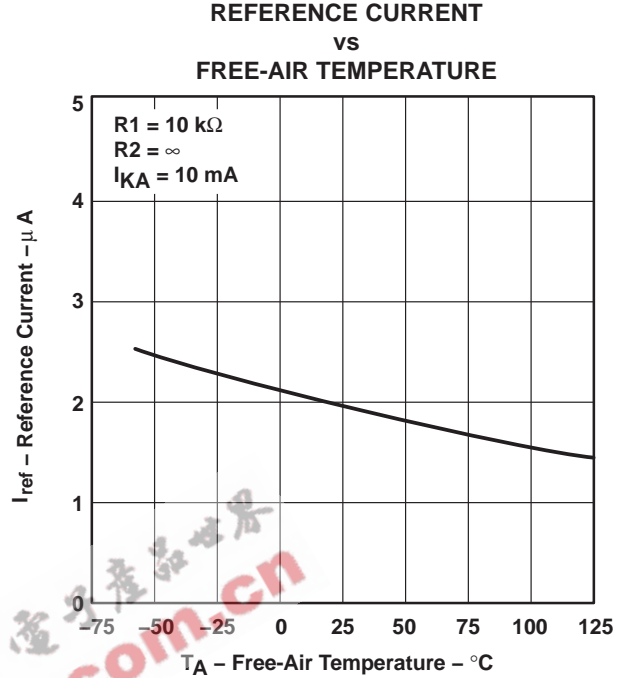
	FIGURE
Shunt regulator	17
Single-supply comparator with temperature-compensated threshold	18
Precision high-current series regulator	19
Output control of a three-terminal fixed regulator	20
High-current shunt regulator	21
Crowbar circuit	22
Precision 5-V 1.5-A regulator	23
Efficient 5-V precision regulator	24
PWM converter with reference	25
Voltage monitor	26
Delay timer	27
Precision current limiter	28
Precision constant-current sink	29

**TL431, TL431A, TL431B  
TL432, TL432A, TL432B  
ADJUSTABLE PRECISION SHUNT REGULATORS**  
SLVS543H – AUGUST 2004 – REVISED JANUARY 2005

**TYPICAL CHARACTERISTICS†**

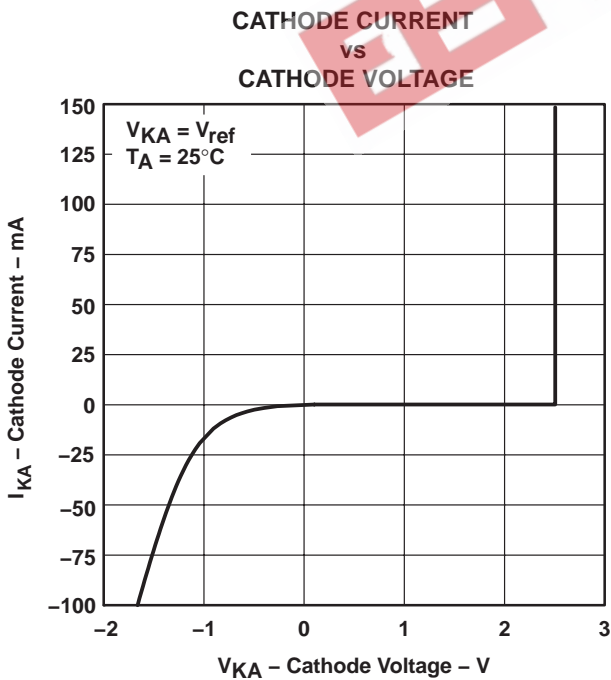


**Figure 5**

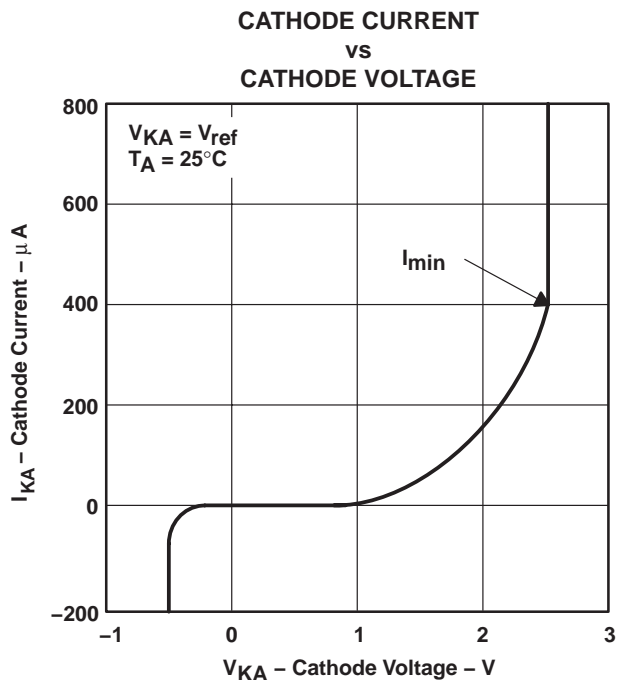


**Figure 6**

† Data is for devices having the indicated value of V<sub>ref</sub> at I<sub>KA</sub> = 10 mA, T<sub>A</sub> = 25°C.



**Figure 7**



**Figure 8**

† Data at high and low temperatures is applicable only within the recommended operating free-air temperature ranges of the various devices.

TYPICAL CHARACTERISTICS†

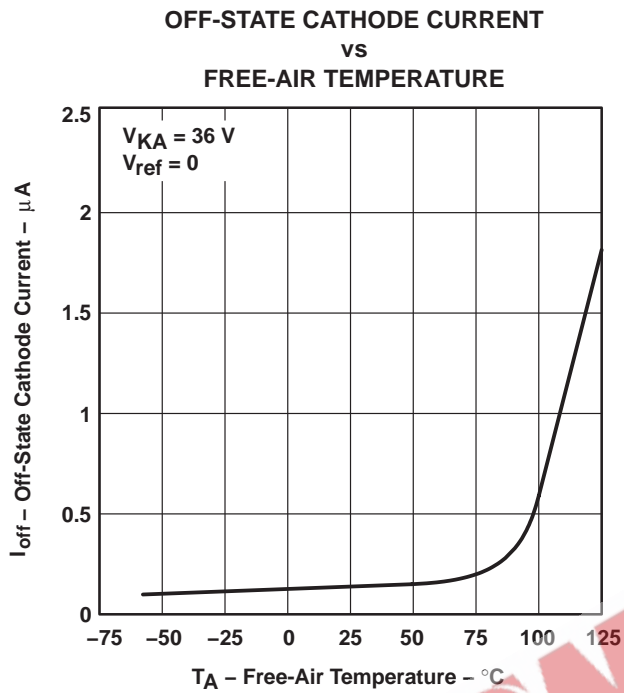


Figure 9

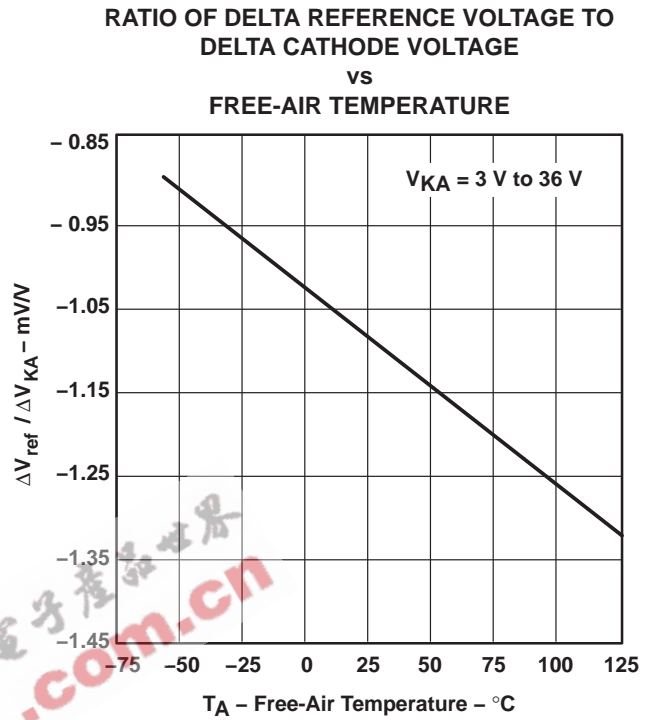


Figure 10

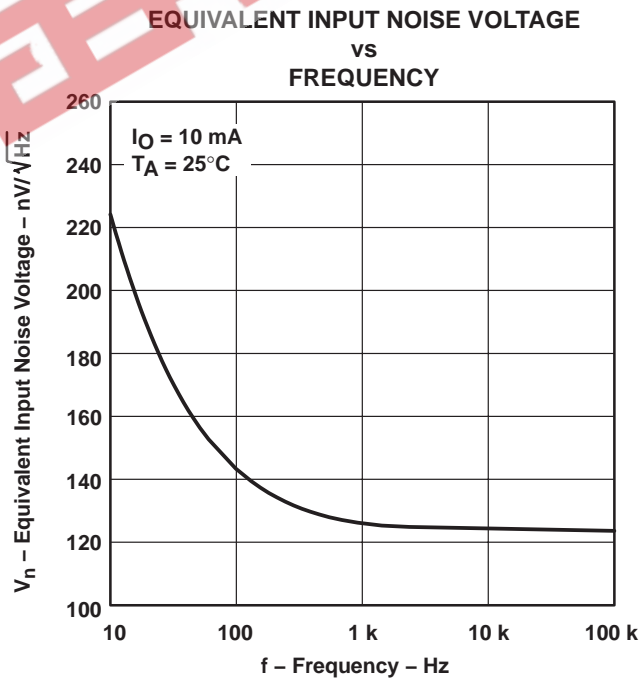


Figure 11

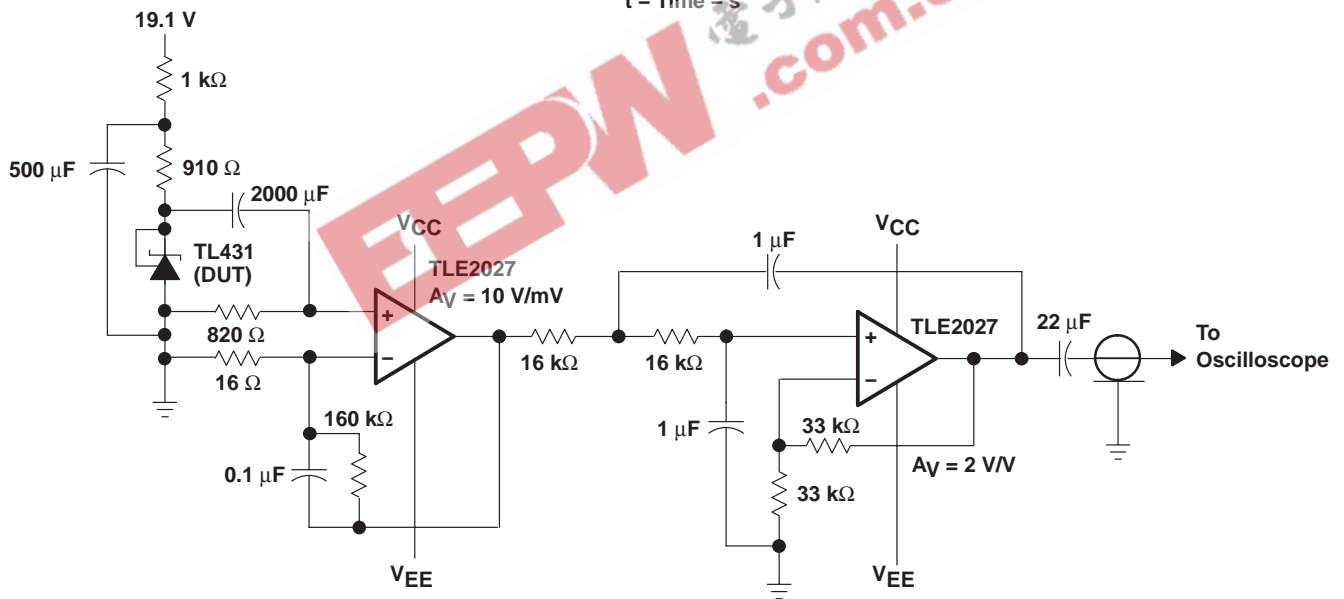
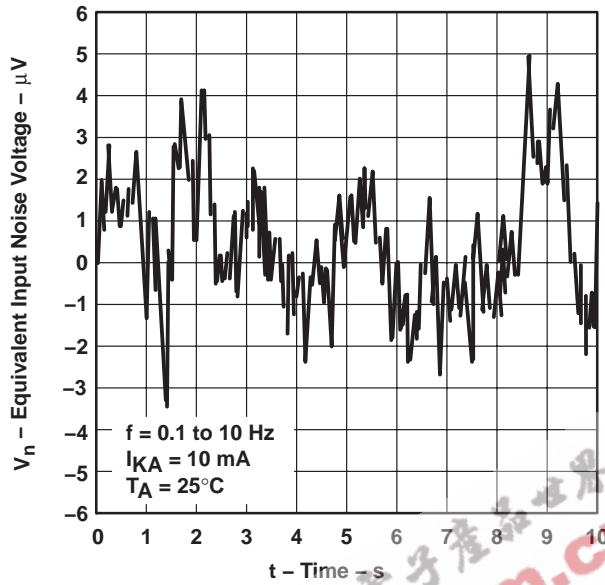
† Data at high and low temperatures is applicable only within the recommended operating free-air temperature ranges of the various devices.

**TL431, TL431A, TL431B  
TL432, TL432A, TL432B  
ADJUSTABLE PRECISION SHUNT REGULATORS**

SLVS543H – AUGUST 2004 – REVISED JANUARY 2005

**TYPICAL CHARACTERISTICS**

**EQUIVALENT INPUT NOISE VOLTAGE  
OVER A 10-S PERIOD**



**Figure 12. Test Circuit for Equivalent Input Noise Voltage**

TYPICAL CHARACTERISTICS

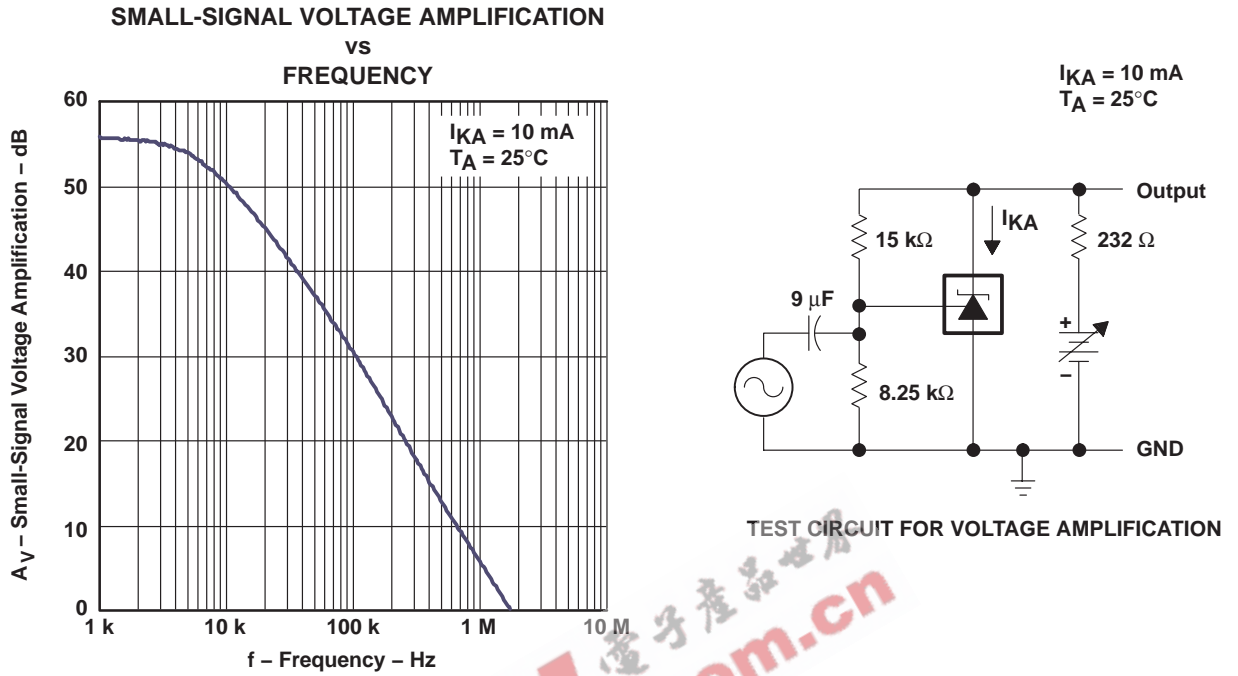


Figure 13

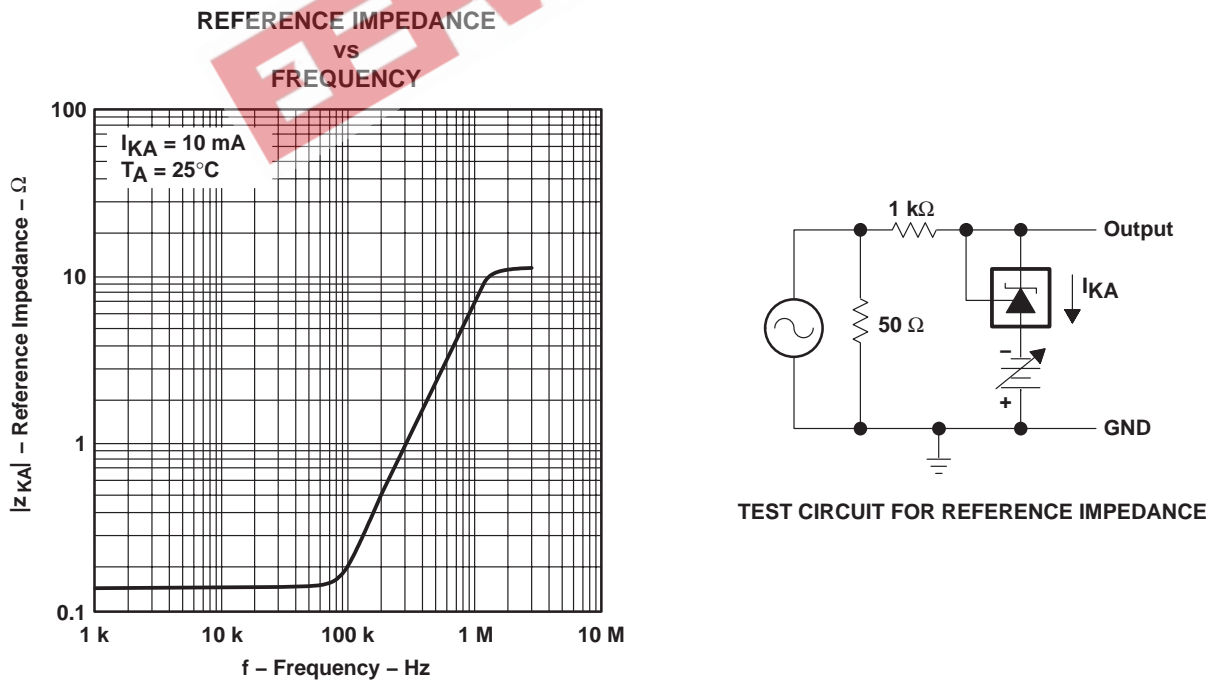


Figure 14

**TL431, TL431A, TL431B  
TL432, TL432A, TL432B  
ADJUSTABLE PRECISION SHUNT REGULATORS**

SLVS543H – AUGUST 2004 – REVISED JANUARY 2005

**TYPICAL CHARACTERISTICS**

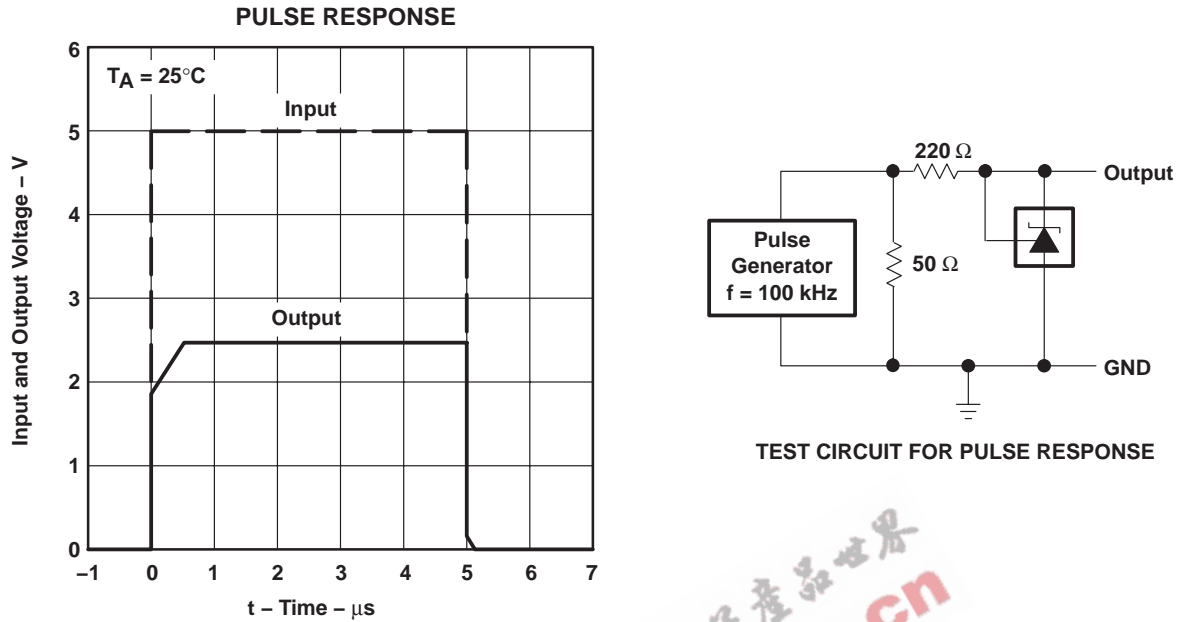


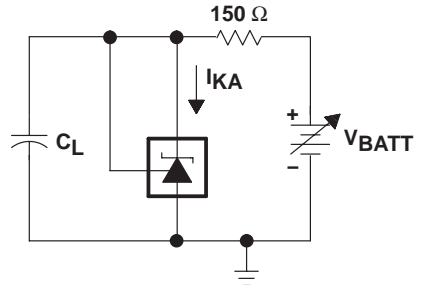
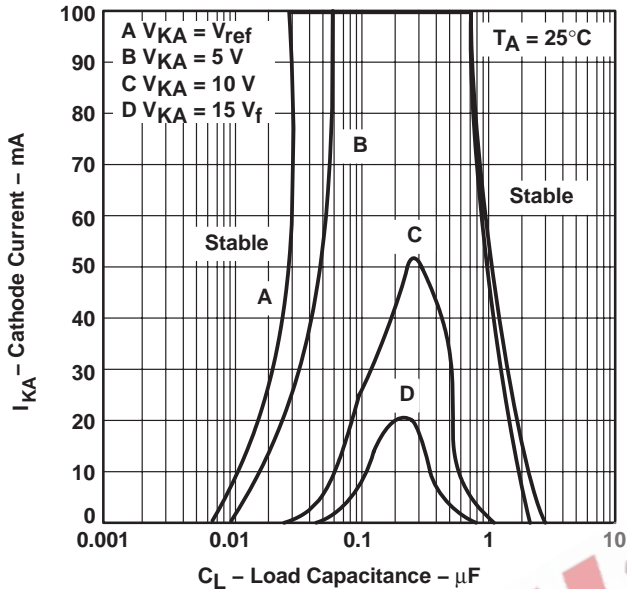
Figure 15

EEPW.com.cn

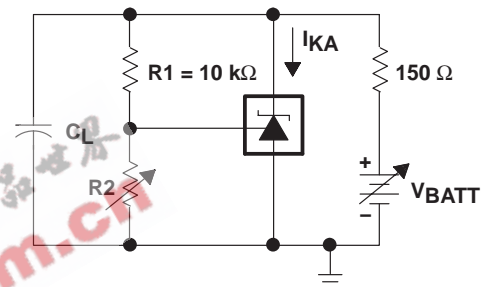
电子產品世界

**TYPICAL CHARACTERISTICS**

**STABILITY BOUNDARY CONDITIONS†  
 FOR ALL TL431 AND TL431A DEVICES  
 (EXCEPT FOR SOT23-3, SC-70, AND Q-TEMP DEVICES)**

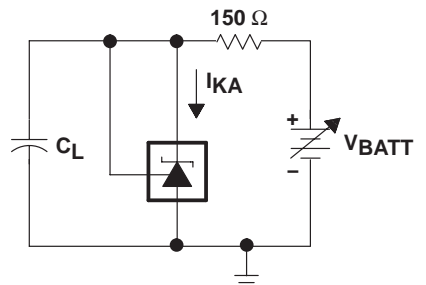
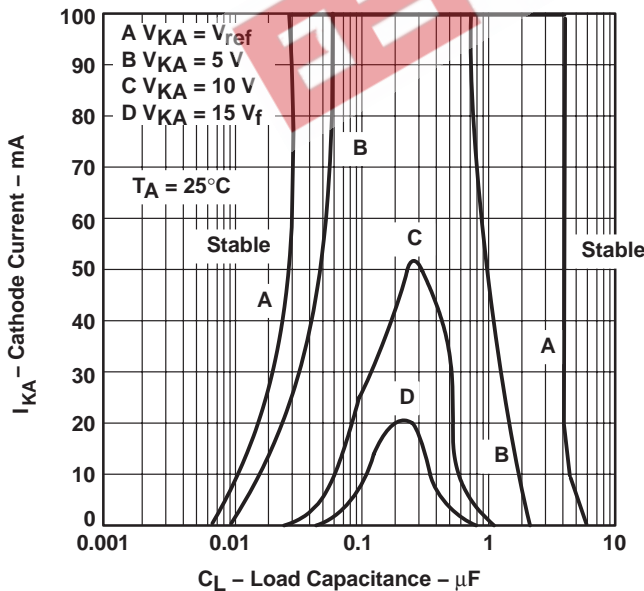


TEST CIRCUIT FOR CURVE A

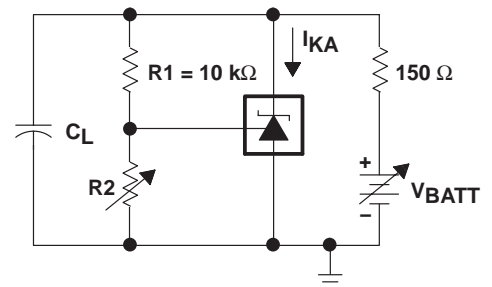


TEST CIRCUIT FOR CURVES B, C, AND D

**STABILITY BOUNDARY CONDITIONS†  
 FOR ALL TL431B, TL432, SOT-23, SC-70, AND Q-TEMP DEVICES**



TEST CIRCUIT FOR CURVE A



TEST CIRCUIT FOR CURVES B, C, AND D

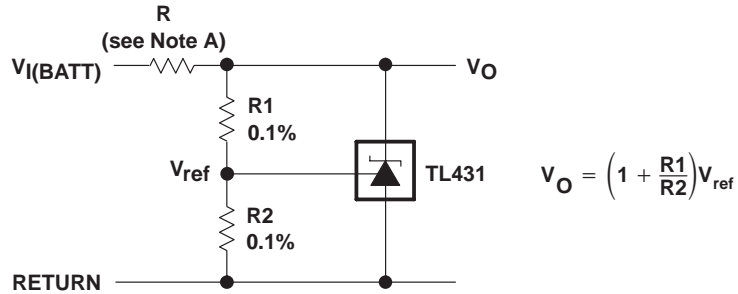
† The areas under the curves represent conditions that may cause the device to oscillate. For curves B, C, and D, R2 and V<sub>BATT</sub> were adjusted to establish the initial V<sub>KA</sub> and I<sub>KA</sub> conditions with C<sub>L</sub> = 0. V<sub>BATT</sub> and C<sub>L</sub> then were adjusted to determine the ranges of stability.

Figure 16

**TL431, TL431A, TL431B  
TL432, TL432A, TL432B  
ADJUSTABLE PRECISION SHUNT REGULATORS**

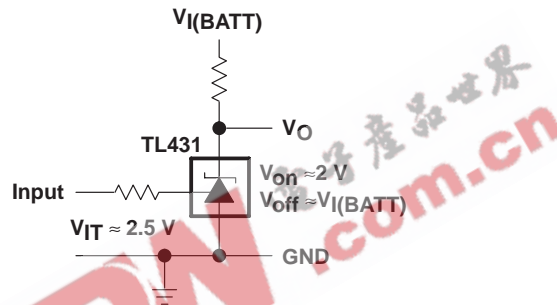
SLVS543H – AUGUST 2004 – REVISED JANUARY 2005

**APPLICATION INFORMATION**

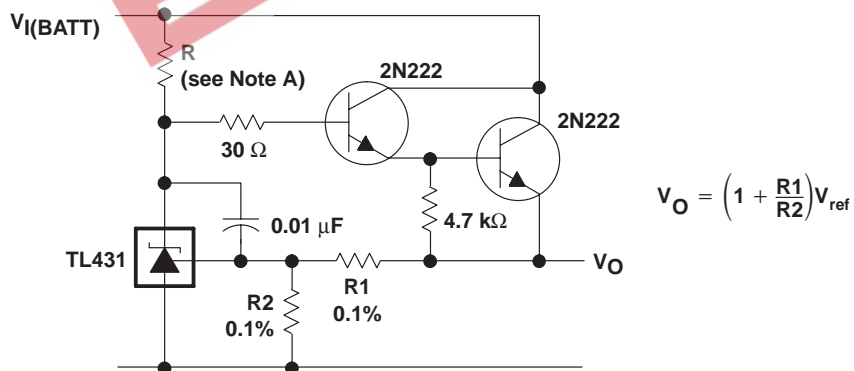


NOTE A: R should provide cathode current  $\geq 1$  mA to the TL431 at minimum  $V_{I(BATT)}$ .

**Figure 17. Shunt Regulator**



**Figure 18. Single-Supply Comparator With Temperature-Compensated Threshold**

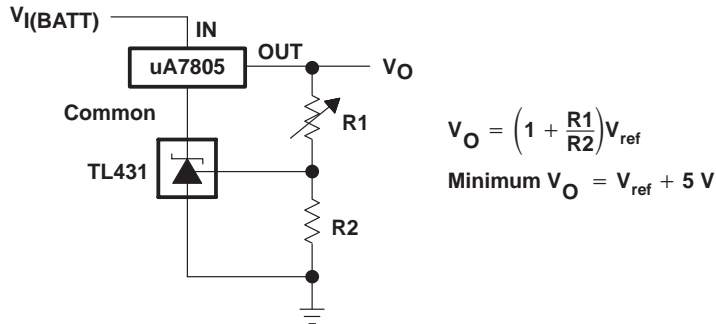


NOTE A: R should provide cathode current  $\geq 1$  mA to the TL431 at minimum  $V_{I(BATT)}$ .

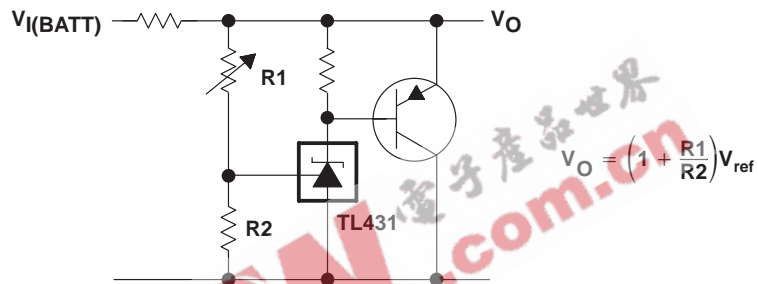
**Figure 19. Precision High-Current Series Regulator**



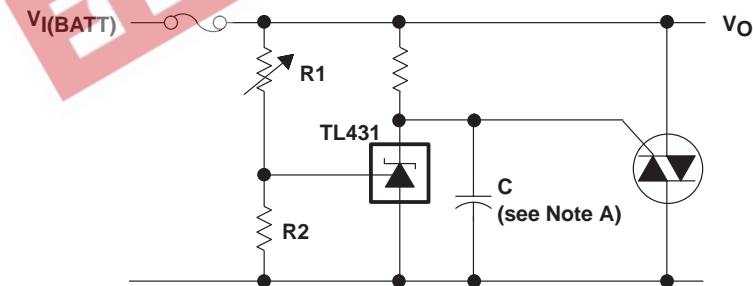
**APPLICATION INFORMATION**



**Figure 20. Output Control of a Three-Terminal Fixed Regulator**



**Figure 21. High-Current Shunt Regulator**



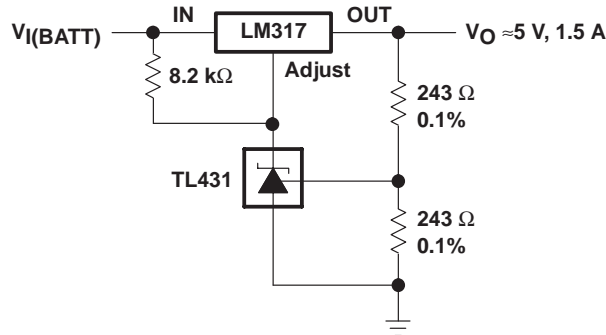
NOTE A: Refer to the stability boundary conditions in Figure 16 to determine allowable values for C.

**Figure 22. Crowbar Circuit**

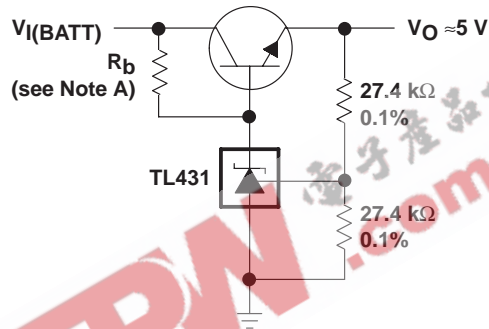
**TL431, TL431A, TL431B  
TL432, TL432A, TL432B  
ADJUSTABLE PRECISION SHUNT REGULATORS**

SLVS543H – AUGUST 2004 – REVISED JANUARY 2005

**APPLICATION INFORMATION**

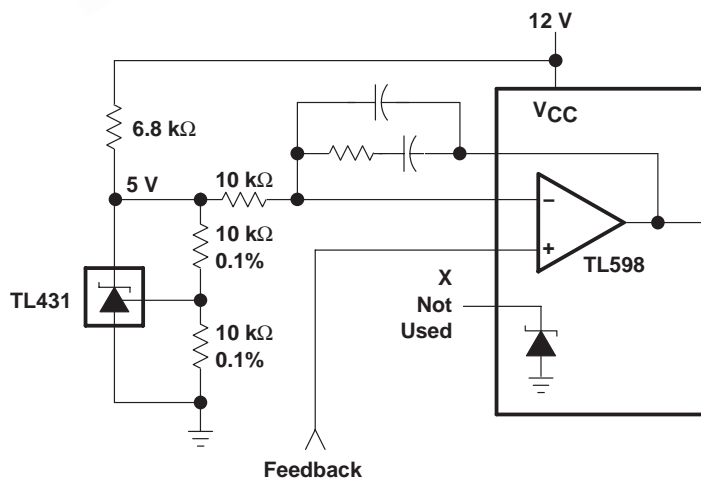


**Figure 23. Precision 5-V 1.5-A Regulator**



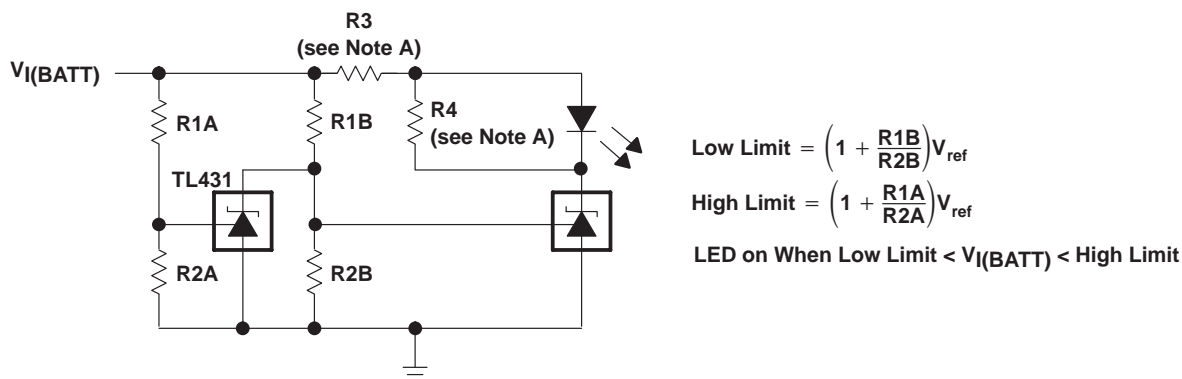
NOTE A:  $R_b$  should provide cathode current  $\geq 1$  mA to the TL431.

**Figure 24. Efficient 5-V Precision Regulator**



**Figure 25. PWM Converter With Reference**

APPLICATION INFORMATION



NOTE A: R3 and R4 are selected to provide the desired LED intensity and cathode current  $\geq 1$  mA to the TL431 at the available  $V_{I(BATT)}$ .

Figure 26. Voltage Monitor

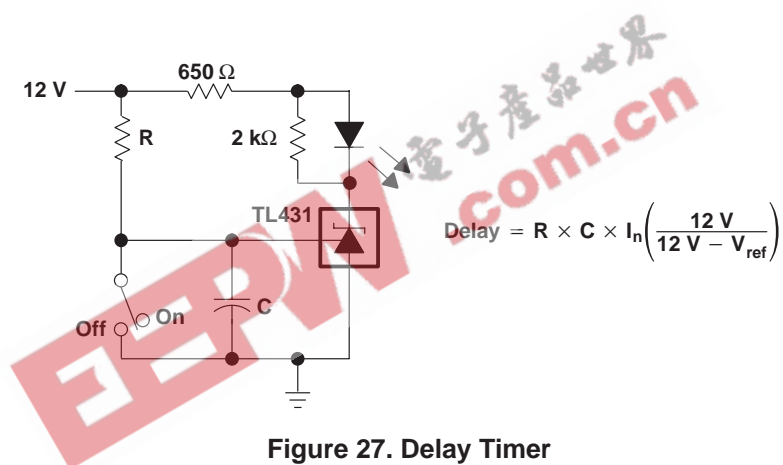


Figure 27. Delay Timer

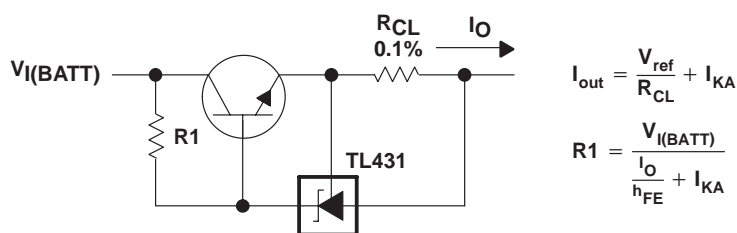
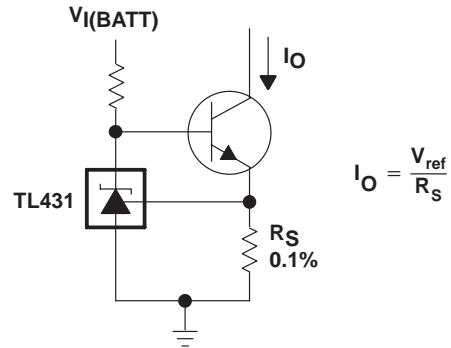


Figure 28. Precision Current Limiter

**TL431, TL431A, TL431B**  
**TL432, TL432A, TL432B**  
**ADJUSTABLE PRECISION SHUNT REGULATORS**

SLVS543H – AUGUST 2004 – REVISED JANUARY 2005

**APPLICATION INFORMATION**



**Figure 29. Precision Constant-Current Sink**

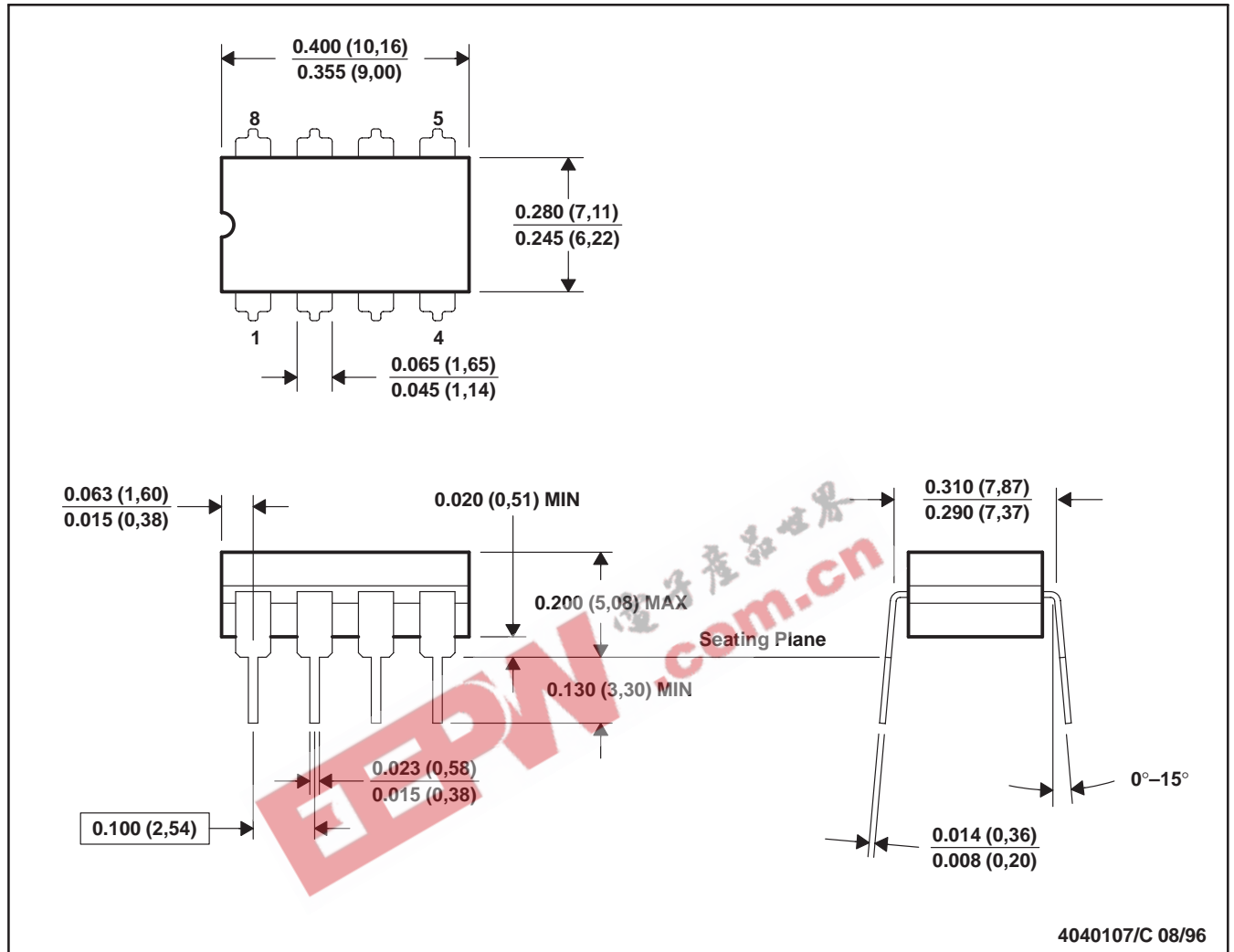
EEPW 电子产品世界 .com.cn

# MECHANICAL DATA

MCER001A – JANUARY 1995 – REVISED JANUARY 1997

JG (R-GDIP-T8)

CERAMIC DUAL-IN-LINE

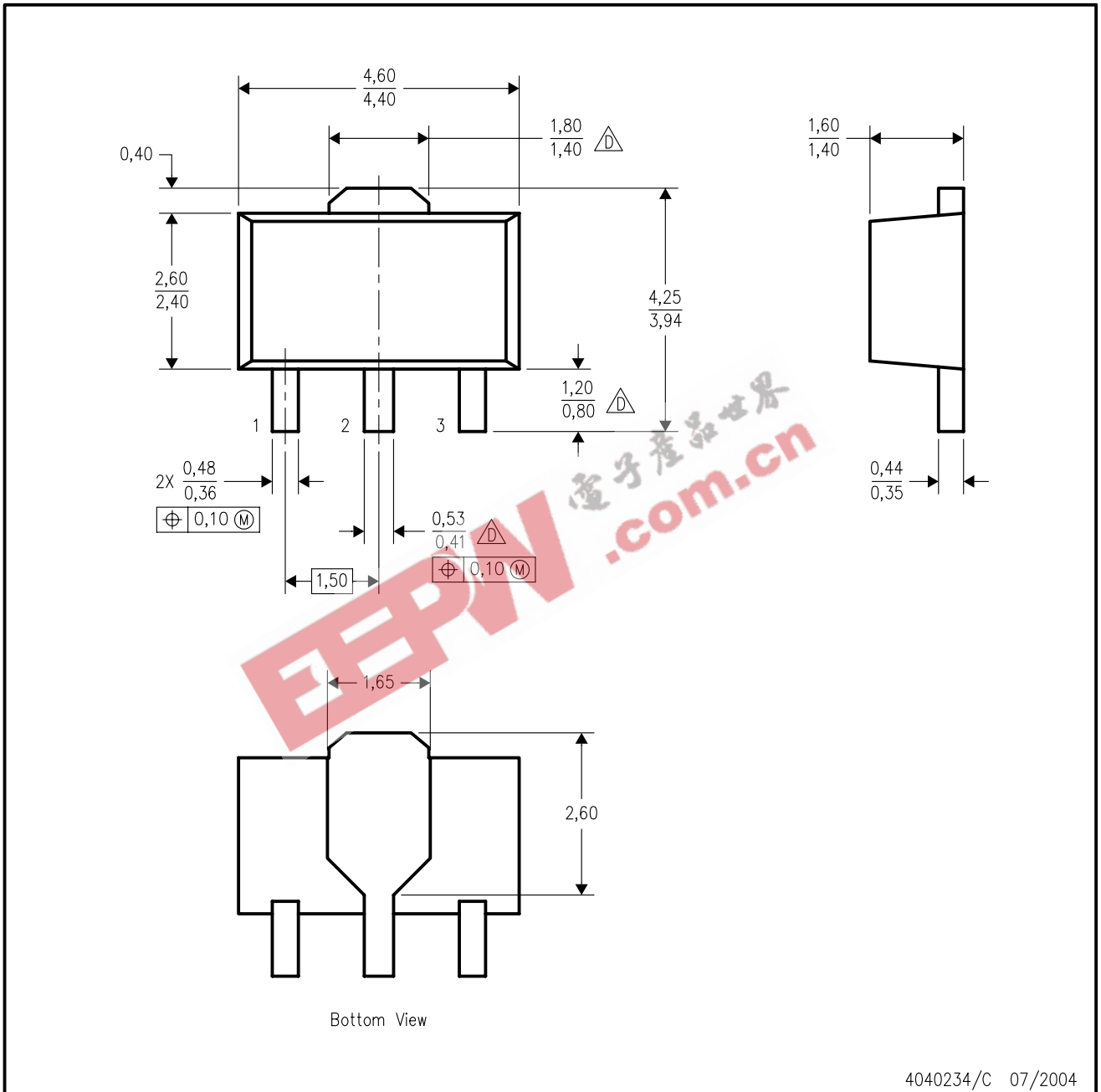


- NOTES:
- All linear dimensions are in inches (millimeters).
  - This drawing is subject to change without notice.
  - This package can be hermetically sealed with a ceramic lid using glass frit.
  - Index point is provided on cap for terminal identification.
  - Falls within MIL STD 1835 GDIP1-T8

# MECHANICAL DATA

PK (R-PSS0-F3)

PLASTIC SINGLE-IN-LINE PACKAGE

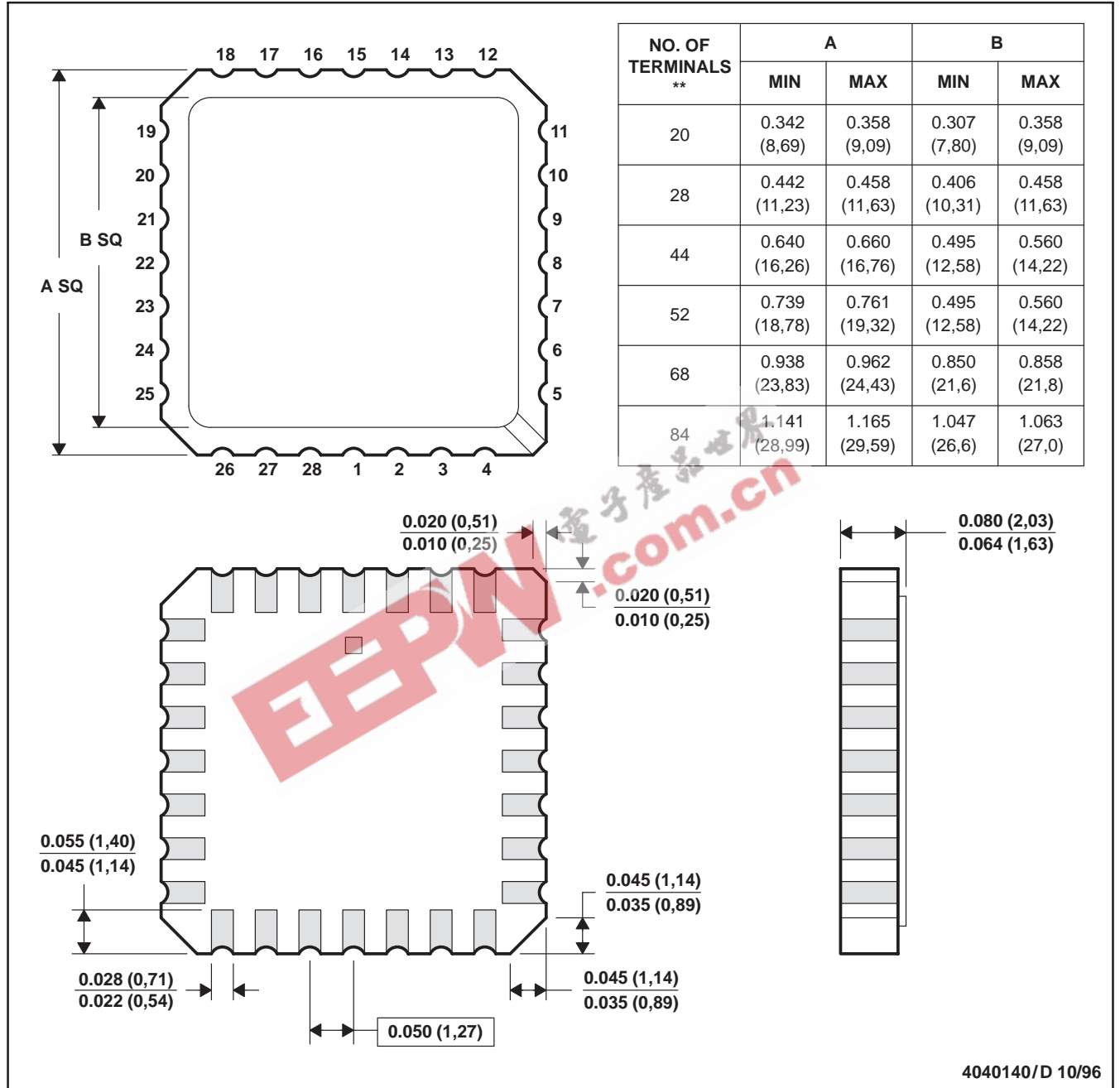


- NOTES:
- All linear dimensions are in millimeters. Dimensioning and tolerancing per ASME Y14.5-1994.
  - This drawing is subject to change without notice.
  - The center lead is in electrical contact with the tab.
- $\triangle D$  Falls within JEDEC TO-243 variation AA, except minimum lead length, pin 2 minimum lead width, and minimum tab width.

FK (S-CQCC-N\*\*)

LEADLESS CERAMIC CHIP CARRIER

28 TERMINAL SHOWN



- NOTES:
- A. All linear dimensions are in inches (millimeters).
  - B. This drawing is subject to change without notice.
  - C. This package can be hermetically sealed with a metal lid.
  - D. The terminals are gold plated.
  - E. Falls within JEDEC MS-004

# MECHANICAL DATA

MPDI001A – JANUARY 1995 – REVISED JUNE 1999

## P (R-PDIP-T8)

## PLASTIC DUAL-IN-LINE



- NOTES: A. All linear dimensions are in inches (millimeters).  
 B. This drawing is subject to change without notice.  
 C. Falls within JEDEC MS-001

For the latest package information, go to [http://www.ti.com/sc/docs/package/pkg\\_info.htm](http://www.ti.com/sc/docs/package/pkg_info.htm)



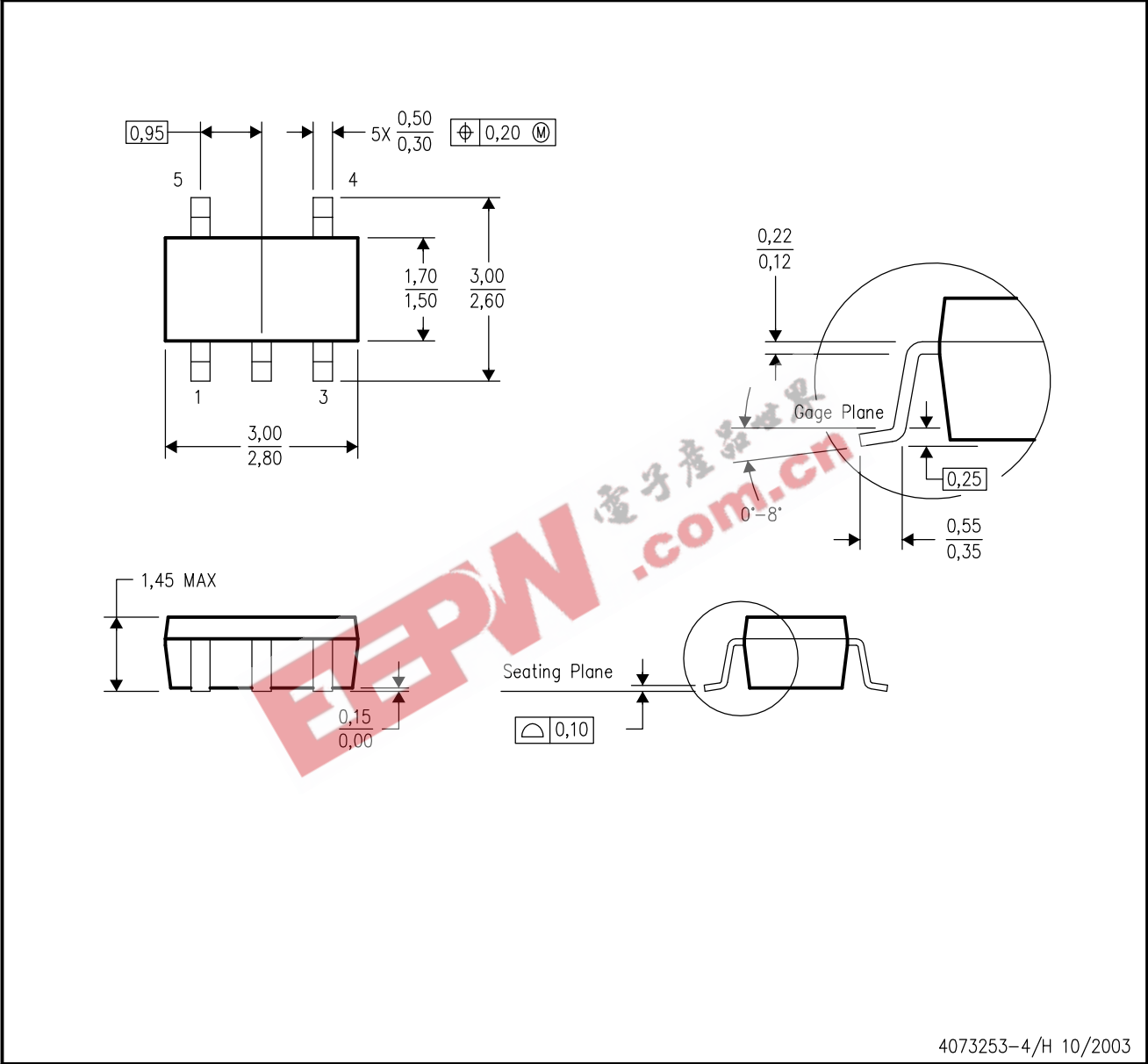
POST OFFICE BOX 655303 • DALLAS, TEXAS 75265



MECHANICAL DATA

DBV (R-PDSO-G5)

PLASTIC SMALL-OUTLINE PACKAGE



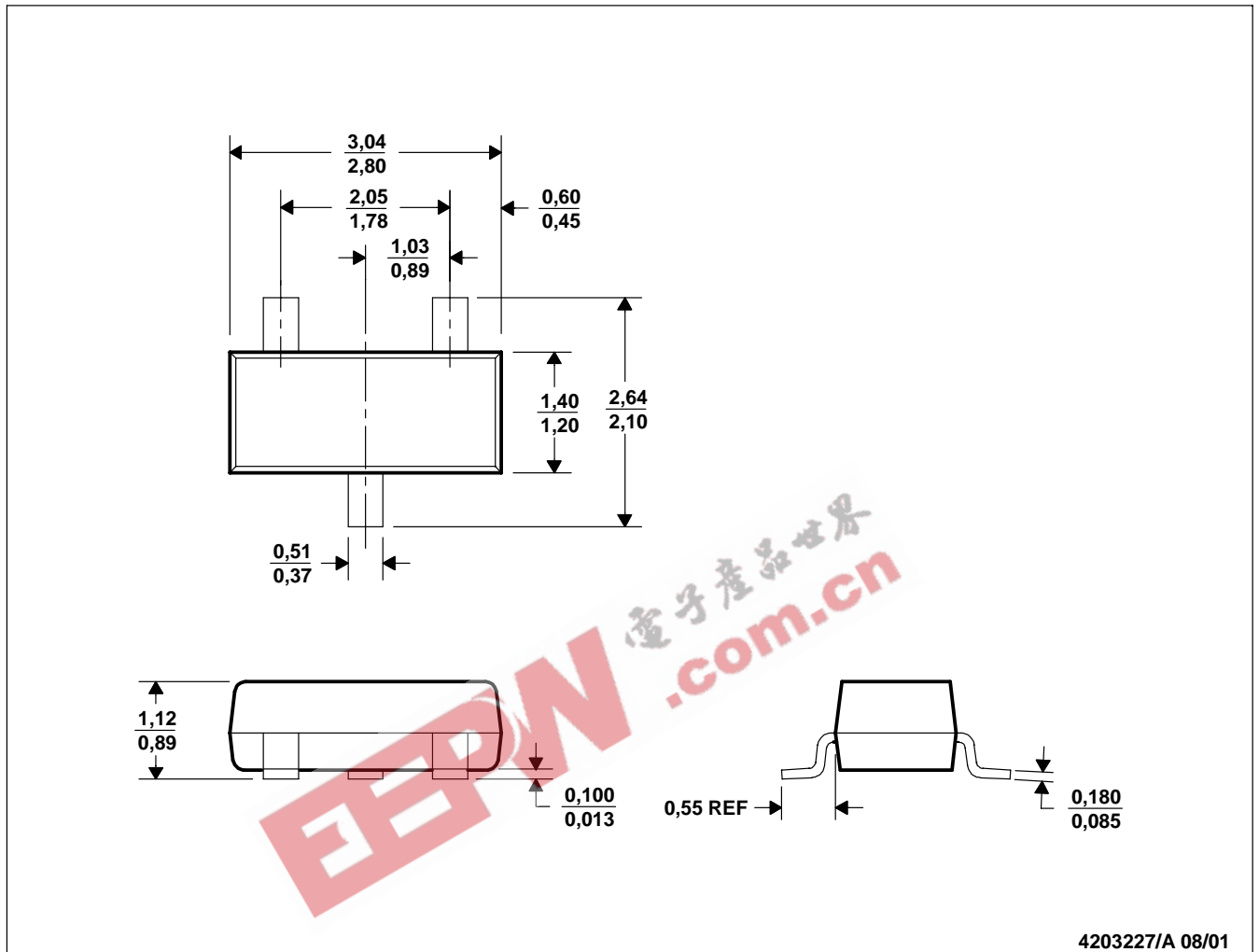
- NOTES:
- A. All linear dimensions are in millimeters.
  - B. This drawing is subject to change without notice.
  - C. Body dimensions do not include mold flash or protrusion.
  - D. Falls within JEDEC MO-178 Variation AA.

# MECHANICAL DATA

MPDS108 – AUGUST 2001

DBZ (R-PDSO-G3)

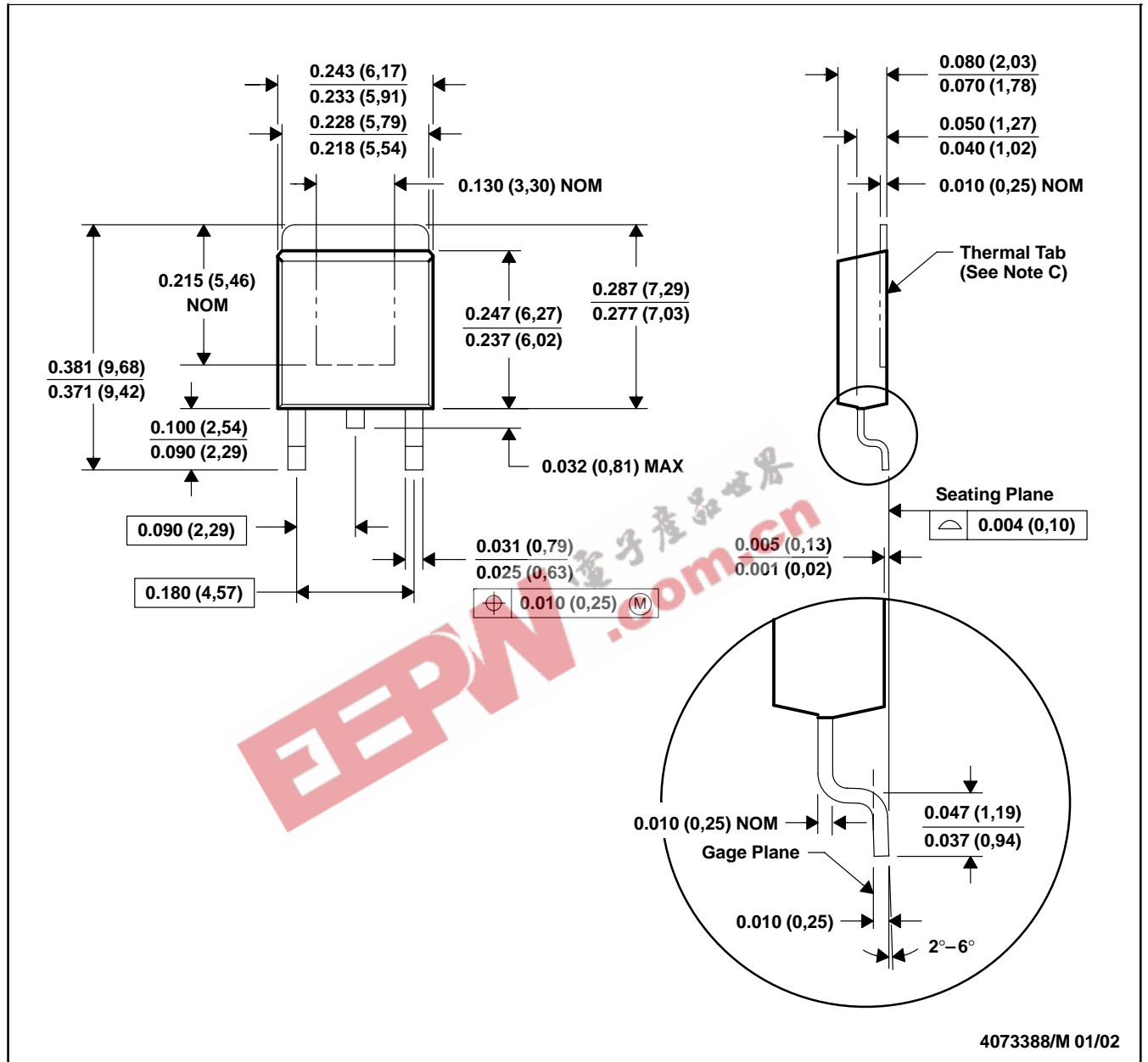
PLASTIC SMALL-OUTLINE



- NOTES:
- A. All linear dimensions are in millimeters.
  - B. This drawing is subject to change without notice.
  - C. Dimensions are inclusive of plating.
  - D. Dimensions are exclusive of mold flash and metal burr.

KTP (R-PSFM-G2)

PowerFLEX™ PLASTIC FLANGE-MOUNT PACKAGE



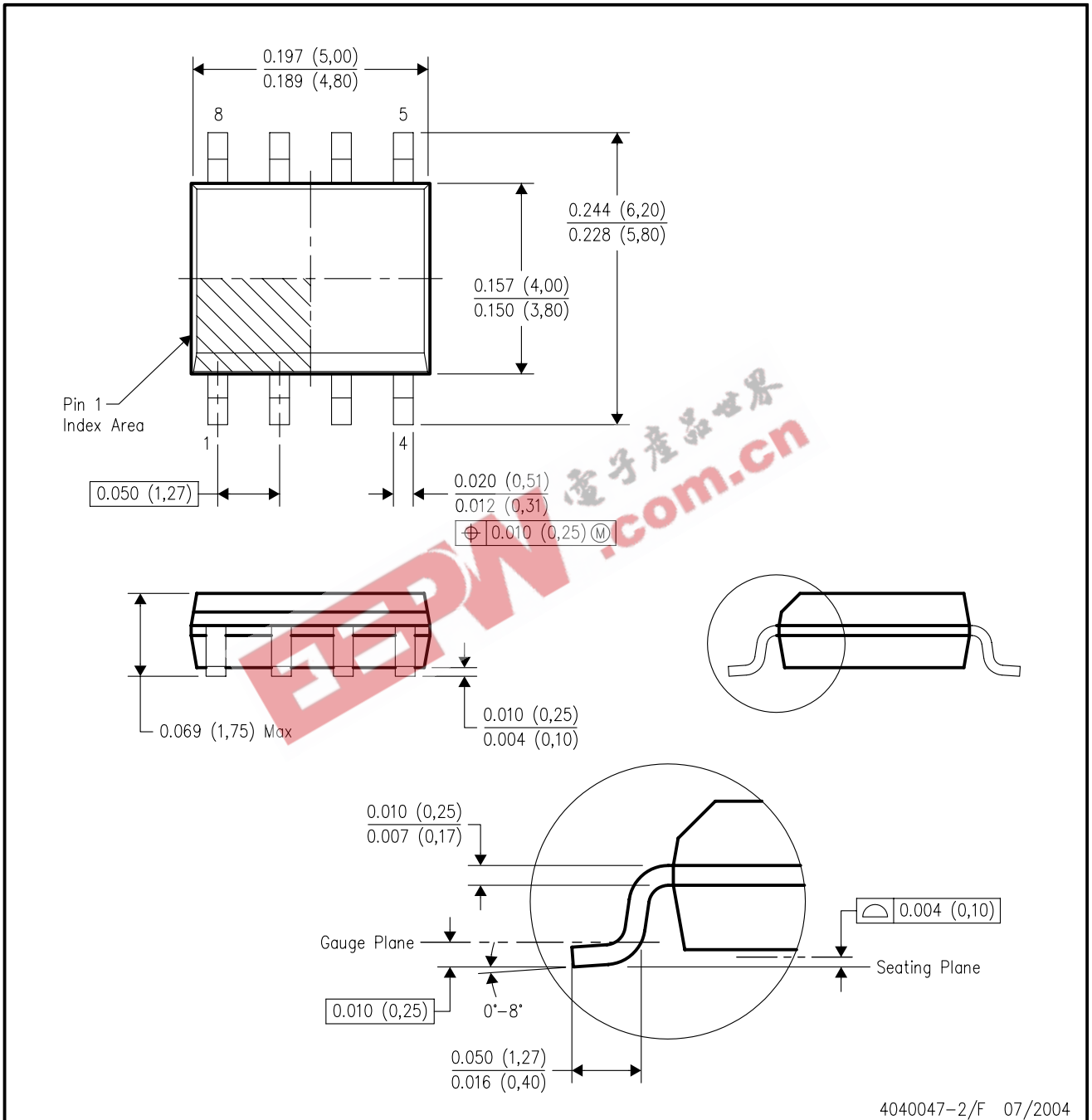
- NOTES: A. All linear dimensions are in inches (millimeters).  
 B. This drawing is subject to change without notice.  
 C. The center lead is in electrical contact with the thermal tab.  
 D. Dimensions do not include mold protrusions, not to exceed 0.006 (0,15).  
 E. Falls within JEDEC TO-252 variation AC.

PowerFLEX is a trademark of Texas Instruments.

# MECHANICAL DATA

## D (R-PDSO-G8)

## PLASTIC SMALL-OUTLINE PACKAGE

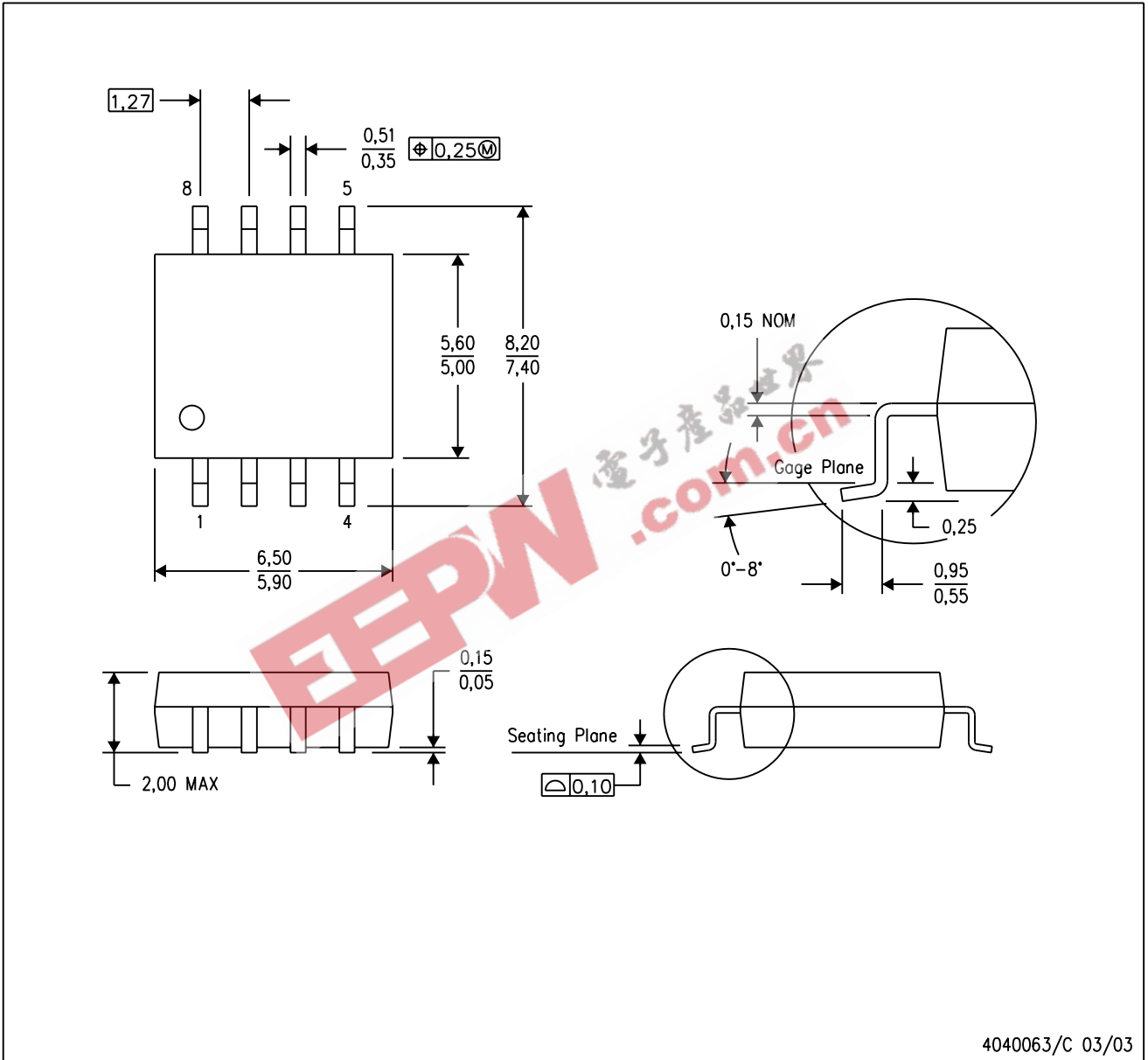


- NOTES:
- All linear dimensions are in inches (millimeters).
  - This drawing is subject to change without notice.
  - Body dimensions do not include mold flash or protrusion not to exceed 0.006 (0,15).
  - Falls within JEDEC MS-012 variation AA.

MECHANICAL DATA

PS (R-PDSO-G8)

PLASTIC SMALL-OUTLINE PACKAGE



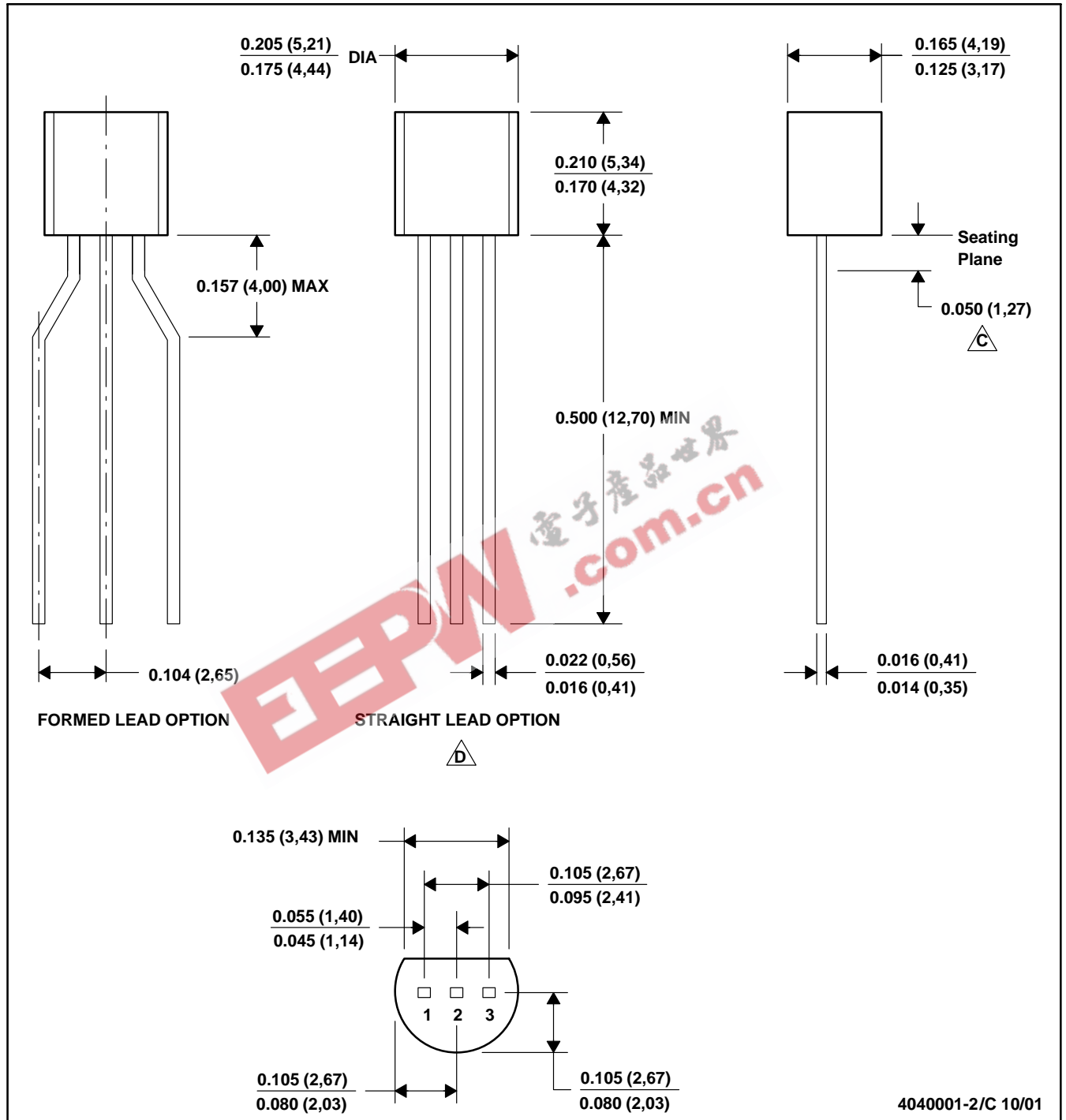
- NOTES:
- A. All linear dimensions are in millimeters.
  - B. This drawing is subject to change without notice.
  - C. Body dimensions do not include mold flash or protrusion, not to exceed 0,15.

# MECHANICAL DATA

MSOT002A – OCTOBER 1994 – REVISED NOVEMBER 2001

## LP (O-PBCY-W3)

## PLASTIC CYLINDRICAL PACKAGE



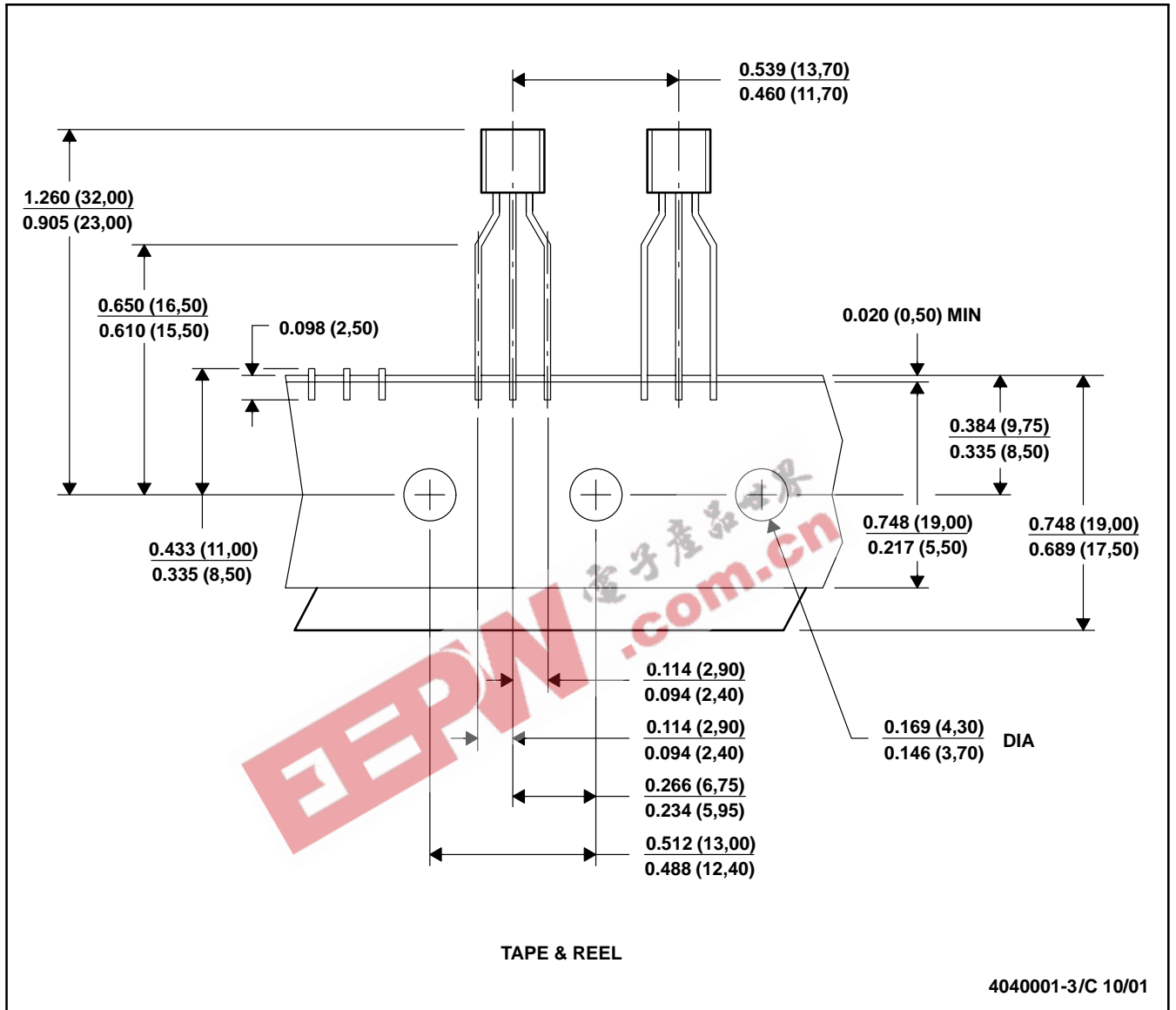
- NOTES:
- A. All linear dimensions are in inches (millimeters).
  - B. This drawing is subject to change without notice.
  - C** Lead dimensions are not controlled within this area
  - D** Falls within JEDEC TO -226 Variation AA (TO-226 replaces TO-92)
  - E. Shipping Method:
    - Straight lead option available in bulk pack only.
    - Formed lead option available in tape & reel or ammo pack.

# MECHANICAL DATA

MSOT002A – OCTOBER 1994 – REVISED NOVEMBER 2001

LP (O-PBCY-W3)

PLASTIC CYLINDRICAL PACKAGE



- NOTES:
- All linear dimensions are in inches (millimeters).
  - This drawing is subject to change without notice.
  - Tape and Reel information for the Format Lead Option package.

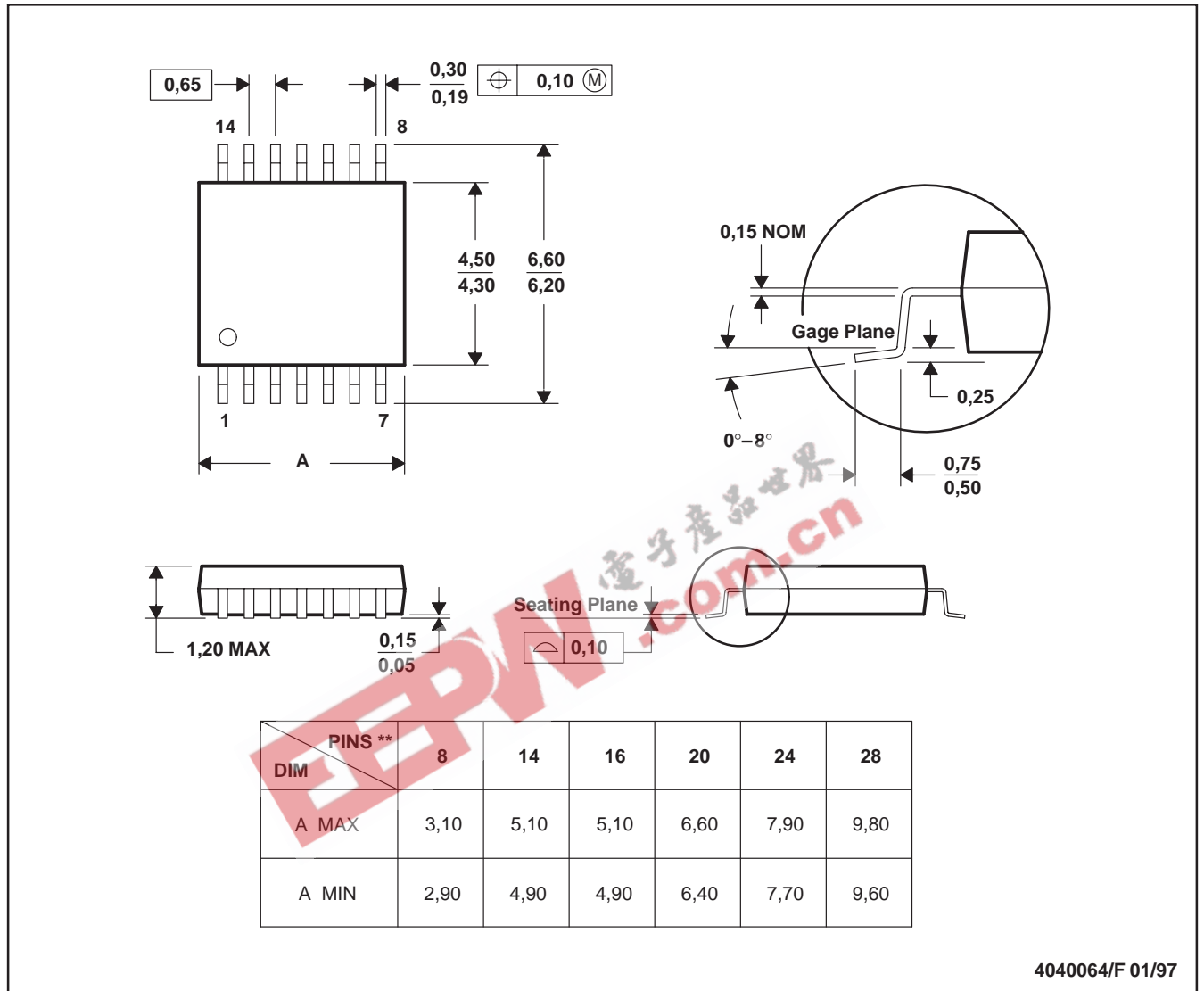
# MECHANICAL DATA

MTSS001C – JANUARY 1995 – REVISED FEBRUARY 1999

PW (R-PDSO-G\*\*)

PLASTIC SMALL-OUTLINE PACKAGE

14 PINS SHOWN



4040064/F 01/97

- NOTES: A. All linear dimensions are in millimeters.  
 B. This drawing is subject to change without notice.  
 C. Body dimensions do not include mold flash or protrusion not to exceed 0,15.  
 D. Falls within JEDEC MO-153



## IMPORTANT NOTICE

Texas Instruments Incorporated and its subsidiaries (TI) reserve the right to make corrections, modifications, enhancements, improvements, and other changes to its products and services at any time and to discontinue any product or service without notice. Customers should obtain the latest relevant information before placing orders and should verify that such information is current and complete. All products are sold subject to TI's terms and conditions of sale supplied at the time of order acknowledgment.

TI warrants performance of its hardware products to the specifications applicable at the time of sale in accordance with TI's standard warranty. Testing and other quality control techniques are used to the extent TI deems necessary to support this warranty. Except where mandated by government requirements, testing of all parameters of each product is not necessarily performed.

TI assumes no liability for applications assistance or customer product design. Customers are responsible for their products and applications using TI components. To minimize the risks associated with customer products and applications, customers should provide adequate design and operating safeguards.

TI does not warrant or represent that any license, either express or implied, is granted under any TI patent right, copyright, mask work right, or other TI intellectual property right relating to any combination, machine, or process in which TI products or services are used. Information published by TI regarding third-party products or services does not constitute a license from TI to use such products or services or a warranty or endorsement thereof. Use of such information may require a license from a third party under the patents or other intellectual property of the third party, or a license from TI under the patents or other intellectual property of TI.

Reproduction of information in TI data books or data sheets is permissible only if reproduction is without alteration and is accompanied by all associated warranties, conditions, limitations, and notices. Reproduction of this information with alteration is an unfair and deceptive business practice. TI is not responsible or liable for such altered documentation.

Resale of TI products or services with statements different from or beyond the parameters stated by TI for that product or service voids all express and any implied warranties for the associated TI product or service and is an unfair and deceptive business practice. TI is not responsible or liable for any such statements.

Following are URLs where you can obtain information on other Texas Instruments products and application solutions:

<b>Products</b>		<b>Applications</b>	
Amplifiers	<a href="http://amplifier.ti.com">amplifier.ti.com</a>	Audio	<a href="http://www.ti.com/audio">www.ti.com/audio</a>
Data Converters	<a href="http://dataconverter.ti.com">dataconverter.ti.com</a>	Automotive	<a href="http://www.ti.com/automotive">www.ti.com/automotive</a>
DSP	<a href="http://dsp.ti.com">dsp.ti.com</a>	Broadband	<a href="http://www.ti.com/broadband">www.ti.com/broadband</a>
Interface	<a href="http://interface.ti.com">interface.ti.com</a>	Digital Control	<a href="http://www.ti.com/digitalcontrol">www.ti.com/digitalcontrol</a>
Logic	<a href="http://logic.ti.com">logic.ti.com</a>	Military	<a href="http://www.ti.com/military">www.ti.com/military</a>
Power Mgmt	<a href="http://power.ti.com">power.ti.com</a>	Optical Networking	<a href="http://www.ti.com/opticalnetwork">www.ti.com/opticalnetwork</a>
Microcontrollers	<a href="http://microcontroller.ti.com">microcontroller.ti.com</a>	Security	<a href="http://www.ti.com/security">www.ti.com/security</a>
		Telephony	<a href="http://www.ti.com/telephony">www.ti.com/telephony</a>
		Video & Imaging	<a href="http://www.ti.com/video">www.ti.com/video</a>
		Wireless	<a href="http://www.ti.com/wireless">www.ti.com/wireless</a>

Mailing Address: Texas Instruments  
Post Office Box 655303 Dallas, Texas 75265