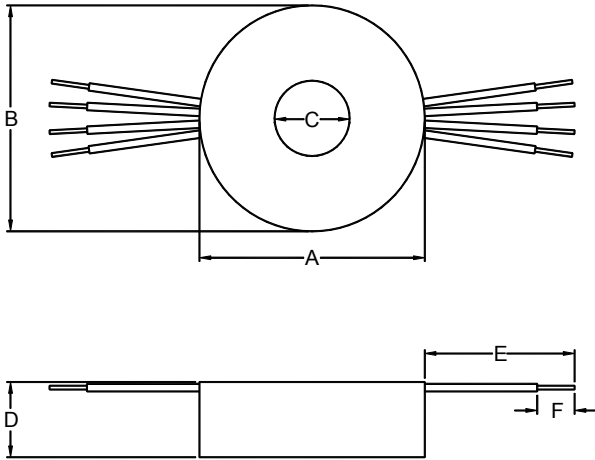


TOROIDAL TRANSFORMER

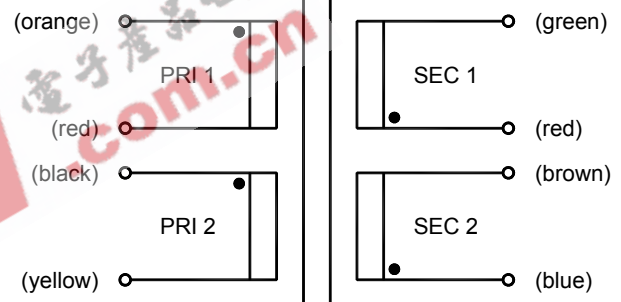
TL35 Series



- Low magnetic stray field emissions
- Low standby current
- High efficiency
- High ambient operating temperature (+60°C maximum)
- All leads wires are UL1332 200°C 300V
- Power – 1.6VA to 500VA
- Primary – Dual primary (115V/230V 50/60Hz)
- Secondary – Series or parallel
- Dielectric Strength – 4000Vrms
- Insulation Class – Class F (155°C)
- Safety Approvals – UL506, CUL C22.2 #66-1988, UL1411, CUL C22.2 #1-98, TUV / EN60950 / EN60065 / CE

Mounting

The transformer are normally supplied with one metal disk and two rubber washer for simple and easy one screw mounting



| Product Series | Dimensions (mm) | | | | | |
|----------------|-----------------|------|------|------|-----|-----|
| | A | B | C | D | E | F |
| 1.6 (VA) | 44.5 | 41.0 | 7.5 | 20.5 | 150 | 8 |
| 3.2 (VA) | 49.5 | 45.5 | 5.0 | 20.5 | 150 | 8 |
| 5.0 (VA) | 53.5 | 49.0 | 3.5 | 21.0 | 150 | 8 |
| 7.0 (VA) | 53.5 | 50.0 | 5.0 | 23.5 | 150 | 8 |
| 10 (VA) | 60.5 | 56.0 | 7.0 | 25.5 | 150 | 8 |
| 15 (VA) | 66.5 | 60.0 | 6.0 | 27.5 | 150 | 8 |
| 25 (VA) | 65.5 | 61.5 | 12.0 | 36.0 | 150 | 8 |
| 35 (VA) | 78.5 | 71.5 | 18.5 | 34.0 | 150 | 8 |
| 50 (VA) | 86.5 | 80.0 | 22.5 | 36.0 | 150 | 8 |
| 65 (VA) | 94.5 | 89.0 | 20.5 | 36.5 | 150 | 8 |
| 85 (VA) | 101 | 94.5 | 28.0 | 39.5 | 150 | 8 |
| 100 (VA) | 101 | 96.0 | 34.0 | 44.0 | 150 | 8 |
| 120 (VA) | 103 | 98.0 | 33.0 | 46.0 | 150 | 8 |
| 160 (VA) | 122 | 116 | 38.0 | 46.0 | 250 | 8 |
| 200 (VA) | 118 | 113 | 37.0 | 50.0 | 250 | 8 |
| 250 (VA) | 123 | 118 | 42.0 | 53.0 | 250 | 8 |
| 300 (VA) | 127 | 123 | 43.0 | 54.0 | 250 | 8 |
| 400 (VA) | 139 | 134 | 44.0 | 61.0 | 250 | 8 |
| 500 (VA) | 143 | 138 | 46.0 | 65.0 | 250 | 8 |
| Tolerance | max. | max. | min. | max. | ± 5 | ± 2 |

**TOROIDAL
TRANSFORMER**

| Product Series | Part Number | Input Voltage (V) | Secondary RMS Rating | |
|----------------|---------------|-------------------|----------------------|-------------|
| | | | Series | Parallel |
| 1.6VA | TL35-0016-012 | 2 x 115 | 12V C.T. @133mA | 6V @266mA |
| | TL35-0016-014 | 2 x 115 | 14V C.T. @114mA | 7V @228mA |
| | TL35-0016-018 | 2 x 115 | 18V C.T. @89mA | 9V @178mA |
| | TL35-0016-024 | 2 x 115 | 24V C.T. @67mA | 12V @134mA |
| | TL35-0016-030 | 2 x 115 | 30V C.T. @53mA | 15V @106mA |
| | TL35-0016-036 | 2 x 115 | 36V C.T. @44mA | 18V @88mA |
| | TL35-0016-044 | 2 x 115 | 44V C.T. @36mA | 22V @72mA |
| | TL35-0016-048 | 2 x 115 | 48V C.T. @33mA | 24V @66mA |
| 3.2VA | TL35-0032-012 | 2 x 115 | 12V C.T. @266mA | 6V @532mA |
| | TL35-0032-014 | 2 x 115 | 14V C.T. @229mA | 7V @458mA |
| | TL35-0032-018 | 2 x 115 | 18V C.T. @178mA | 9V @356mA |
| | TL35-0032-024 | 2 x 115 | 24V C.T. @133mA | 12V @266mA |
| | TL35-0032-030 | 2 x 115 | 30V C.T. @107mA | 15V @214mA |
| | TL35-0032-036 | 2 x 115 | 36V C.T. @89mA | 18V @178mA |
| | TL35-0032-044 | 2 x 115 | 44V C.T. @73mA | 22V @146mA |
| | TL35-0032-048 | 2 x 115 | 48V C.T. @66mA | 24V @132mA |
| 5.0VA | TL35-0050-012 | 2 x 115 | 12V C.T. @416mA | 6V @832mA |
| | TL35-0050-014 | 2 x 115 | 14V C.T. @357mA | 7V @714mA |
| | TL35-0050-018 | 2 x 115 | 18V C.T. @278mA | 9V @556mA |
| | TL35-0050-024 | 2 x 115 | 24V C.T. @208mA | 12V @416mA |
| | TL35-0050-030 | 2 x 115 | 30V C.T. @167mA | 15V @334mA |
| | TL35-0050-036 | 2 x 115 | 36V C.T. @139mA | 18V @278mA |
| | TL35-0050-044 | 2 x 115 | 44V C.T. @114mA | 22V @228mA |
| | TL35-0050-048 | 2 x 115 | 48V C.T. @104mA | 24V @208mA |
| 7.0VA | TL35-0070-012 | 2 x 115 | 12V C.T. @583mA | 6V @1166mA |
| | TL35-0070-014 | 2 x 115 | 14V C.T. @500mA | 7V @1000mA |
| | TL35-0070-018 | 2 x 115 | 18V C.T. @389mA | 9V @778mA |
| | TL35-0070-024 | 2 x 115 | 24V C.T. @292mA | 12V @584mA |
| | TL35-0070-030 | 2 x 115 | 30V C.T. @233mA | 15V @466mA |
| | TL35-0070-036 | 2 x 115 | 36V C.T. @194mA | 18V @388mA |
| | TL35-0070-044 | 2 x 115 | 44V C.T. @159mA | 22V @318mA |
| | TL35-0070-048 | 2 x 115 | 48V C.T. @145mA | 24V @290mA |
| 10VA | TL35-0100-012 | 2 x 115 | 12V C.T. @833mA | 6V @1666mA |
| | TL35-0100-014 | 2 x 115 | 14V C.T. @714mA | 7V @1428mA |
| | TL35-0100-018 | 2 x 115 | 18V C.T. @556mA | 9V @1112mA |
| | TL35-0100-024 | 2 x 115 | 24V C.T. @417mA | 12V @834mA |
| | TL35-0100-030 | 2 x 115 | 30V C.T. @333mA | 15V @666mA |
| | TL35-0100-036 | 2 x 115 | 36V C.T. @278mA | 18V @556mA |
| | TL35-0100-044 | 2 x 115 | 44V C.T. @227mA | 22V @454mA |
| | TL35-0100-048 | 2 x 115 | 48V C.T. @208mA | 24V @416mA |
| 15VA | TL35-0150-012 | 2 x 115 | 12V C.T. @1250mA | 6V @2500mA |
| | TL35-0150-014 | 2 x 115 | 14V C.T. @1071mA | 7V @2142mA |
| | TL35-0150-018 | 2 x 115 | 18V C.T. @833mA | 9V @1666mA |
| | TL35-0150-024 | 2 x 115 | 24V C.T. @625mA | 12V @1250mA |
| | TL35-0150-030 | 2 x 115 | 30V C.T. @500mA | 15V @1000mA |
| | TL35-0150-036 | 2 x 115 | 36V C.T. @417mA | 18V @834mA |
| | TL35-0150-044 | 2 x 115 | 44V C.T. @341mA | 22V @682mA |
| | TL35-0150-048 | 2 x 115 | 48V C.T. @312mA | 24V @624mA |

**TOROIDAL
TRANSFORMER**

| Product Series | Part Number | Input Voltage (V) | Secondary RMS Rating | |
|----------------|---------------|-------------------|----------------------|-------------|
| | | | Series | Parallel |
| 25VA | TL35-0250-012 | 2 x 115 | 12V C.T. @2083mA | 6V @4166mA |
| | TL35-0250-014 | 2 x 115 | 14V C.T. @1785mA | 7V @3570mA |
| | TL35-0250-018 | 2 x 115 | 18V C.T. @1377mA | 9V @2754mA |
| | TL35-0250-024 | 2 x 115 | 24V C.T. @1041mA | 12V @2082mA |
| | TL35-0250-030 | 2 x 115 | 30V C.T. @832mA | 15V @1664mA |
| | TL35-0250-036 | 2 x 115 | 36V C.T. @694mA | 18V @1388mA |
| | TL35-0250-044 | 2 x 115 | 44V C.T. @568mA | 22V @1136mA |
| | TL35-0250-048 | 2 x 115 | 48V C.T. @520mA | 24V @1040mA |
| 35VA | TL35-0350-012 | 2 x 115 | 12V C.T. @2916mA | 6V @5832mA |
| | TL35-0350-014 | 2 x 115 | 14V C.T. @2500mA | 7V @5000mA |
| | TL35-0350-018 | 2 x 115 | 18V C.T. @1944mA | 9V @3888mA |
| | TL35-0350-024 | 2 x 115 | 24V C.T. @1458mA | 12V @2916mA |
| | TL35-0350-030 | 2 x 115 | 30V C.T. @1167mA | 15V @2334mA |
| | TL35-0350-036 | 2 x 115 | 36V C.T. @972mA | 18V @1944mA |
| | TL35-0350-044 | 2 x 115 | 44V C.T. @795mA | 22V @1590mA |
| | TL35-0350-048 | 2 x 115 | 48V C.T. @729mA | 24V @1458mA |
| 50VA | TL35-0500-012 | 2 x 115 | 12V C.T. @4166mA | 6V @8332mA |
| | TL35-0500-014 | 2 x 115 | 14V C.T. @3571mA | 7V @7142mA |
| | TL35-0500-018 | 2 x 115 | 18V C.T. @2777mA | 9V @5554mA |
| | TL35-0500-024 | 2 x 115 | 24V C.T. @2083mA | 12V @4166mA |
| | TL35-0500-030 | 2 x 115 | 30V C.T. @1666mA | 15V @3332mA |
| | TL35-0500-036 | 2 x 115 | 36V C.T. @1388mA | 18V @2776mA |
| | TL35-0500-044 | 2 x 115 | 44V C.T. @1136mA | 22V @2272mA |
| | TL35-0500-048 | 2 x 115 | 48V C.T. @1041mA | 24V @2082mA |
| 65VA | TL35-0650-012 | 2 x 115 | 12V C.T. @5416mA | 6V @10832mA |
| | TL35-0650-014 | 2 x 115 | 14V C.T. @4642mA | 7V @9284mA |
| | TL35-0650-018 | 2 x 115 | 18V C.T. @3611mA | 9V @7222mA |
| | TL35-0650-024 | 2 x 115 | 24V C.T. @2708mA | 12V @5416mA |
| | TL35-0650-030 | 2 x 115 | 30V C.T. @2166mA | 15V @4322mA |
| | TL35-0650-036 | 2 x 115 | 36V C.T. @1805mA | 18V @3610mA |
| | TL35-0650-044 | 2 x 115 | 44V C.T. @1477mA | 22V @2954mA |
| | TL35-0650-048 | 2 x 115 | 48V C.T. @1354mA | 24V @2708mA |
| 85VA | TL35-0850-012 | 2 x 115 | 12V C.T. @7083mA | 6V @14166mA |
| | TL35-0850-014 | 2 x 115 | 14V C.T. @6071mA | 7V @12142mA |
| | TL35-0850-018 | 2 x 115 | 18V C.T. @4722mA | 9V @9444mA |
| | TL35-0850-024 | 2 x 115 | 24V C.T. @3541mA | 12V @7082mA |
| | TL35-0850-030 | 2 x 115 | 30V C.T. @2833mA | 15V @5666mA |
| | TL35-0850-036 | 2 x 115 | 36V C.T. @2361mA | 18V @4722mA |
| | TL35-0850-044 | 2 x 115 | 44V C.T. @1931mA | 22V @3862mA |
| | TL35-0850-048 | 2 x 115 | 48V C.T. @1770mA | 24V @3540mA |

**TOROIDAL
TRANSFORMER**

| Product Series | Part Number | Input Voltage (V) | Secondary RMS Rating | |
|----------------|---------------|-------------------|----------------------|-------------|
| | | | Series | Parallel |
| 100VA | TL35-1000-018 | 2 x 115 | 18V C.T. @5.55A | 9V @11.10A |
| | TL35-1000-020 | 2 x 115 | 20V C.T. @5.00A | 10V @10.00A |
| | TL35-1000-024 | 2 x 115 | 24V C.T. @4.16A | 12V @8.32A |
| | TL35-1000-030 | 2 x 115 | 30V C.T. @3.33A | 15V @6.66A |
| | TL35-1000-036 | 2 x 115 | 36V C.T. @2.77A | 18V @5.54A |
| | TL35-1000-044 | 2 x 115 | 44V C.T. @2.27A | 22V @4.54A |
| | TL35-1000-048 | 2 x 115 | 48V C.T. @2.08A | 24V @4.16A |
| | TL35-1000-060 | 2 x 115 | 60V C.T. @1.66A | 30V @3.32A |
| | TL35-1000-070 | 2 x 115 | 70V C.T. @1.42A | 35V @2.84A |
| | TL35-1000-076 | 2 x 115 | 76V C.T. @1.31A | 38V @2.62A |
| | TL35-1000-110 | 2 x 115 | 110V C.T. @0.90A | 55V @1.80A |
| | TL35-1000-230 | 2 x 115 | 230V C.T. @0.43A | 115V @0.86A |
| 120VA | TL35-1200-018 | 2 x 115 | 18V C.T. @6.66A | 9V @13.32A |
| | TL35-1200-020 | 2 x 115 | 20V C.T. @6.00A | 10V @12.00A |
| | TL35-1200-024 | 2 x 115 | 24V C.T. @5.00A | 12V @10.00A |
| | TL35-1200-030 | 2 x 115 | 30V C.T. @4.00A | 15V @8.00A |
| | TL35-1200-036 | 2 x 115 | 36V C.T. @3.33A | 18V @6.66A |
| | TL35-1200-044 | 2 x 115 | 44V C.T. @2.72A | 22V @5.44A |
| | TL35-1200-048 | 2 x 115 | 48V C.T. @2.50A | 24V @5.00A |
| | TL35-1200-060 | 2 x 115 | 60V C.T. @2.00A | 30V @4.00A |
| | TL35-1200-070 | 2 x 115 | 70V C.T. @1.71A | 35V @3.42A |
| | TL35-1200-076 | 2 x 115 | 76V C.T. @1.57A | 38V @3.14A |
| | TL35-1200-110 | 2 x 115 | 110V C.T. @1.09A | 55V @2.18A |
| | TL35-1200-230 | 2 x 115 | 230V C.T. @0.52A | 115V @1.04A |
| 160VA | TL35-1600-020 | 2 x 115 | 20V C.T. @8.00A | 10V @16.00A |
| | TL35-1600-024 | 2 x 115 | 24V C.T. @6.66A | 12V @13.33A |
| | TL35-1600-030 | 2 x 115 | 30V C.T. @5.33A | 15V @10.66A |
| | TL35-1600-036 | 2 x 115 | 36V C.T. @4.44A | 18V @8.88A |
| | TL35-1600-044 | 2 x 115 | 44V C.T. @3.63A | 22V @7.26A |
| | TL35-1600-048 | 2 x 115 | 48V C.T. @3.33A | 24V @6.66A |
| | TL35-1600-060 | 2 x 115 | 60V C.T. @2.66A | 30V @5.32A |
| | TL35-1600-070 | 2 x 115 | 70V C.T. @2.28A | 35V @4.56A |
| | TL35-1600-076 | 2 x 115 | 76V C.T. @2.10A | 38V @4.20A |
| | TL35-1600-110 | 2 x 115 | 110V C.T. @1.45A | 55V @2.90A |
| | TL35-1600-230 | 2 x 115 | 230V C.T. @0.69A | 115V @1.38A |
| 200VA | TL35-2000-024 | 2 x 115 | 24V C.T. @8.33A | 12V @16.66A |
| | TL35-2000-030 | 2 x 115 | 30V C.T. @6.66A | 15V @13.32A |
| | TL35-2000-036 | 2 x 115 | 36V C.T. @5.55A | 18V @11.10A |
| | TL35-2000-044 | 2 x 115 | 44V C.T. @4.54A | 22V @9.08A |
| | TL35-2000-048 | 2 x 115 | 48V C.T. @4.16A | 24V @8.32A |
| | TL35-2000-060 | 2 x 115 | 60V C.T. @3.33A | 30V @6.66A |
| | TL35-2000-070 | 2 x 115 | 70V C.T. @2.85A | 35V @5.70A |
| | TL35-2000-076 | 2 x 115 | 76V C.T. @2.63A | 38V @5.26A |
| | TL35-2000-110 | 2 x 115 | 110V C.T. @1.81A | 55V @3.62A |
| | TL35-2000-230 | 2 x 115 | 230V C.T. @0.86A | 115V @1.72A |

**TOROIDAL
TRANSFORMER**

| Product Series | Part Number | Input Voltage (V) | Secondary RMS Rating | |
|----------------|---------------|-------------------|----------------------|-------------|
| | | | Series | Parallel |
| 250VA | TL35-2500-024 | 2 x 115 | 24V C.T. @10.41A | 12V @20.82A |
| | TL35-2500-030 | 2 x 115 | 30V C.T. @8.33A | 15V @16.66A |
| | TL35-2500-036 | 2 x 115 | 36V C.T. @6.94A | 18V @13.88A |
| | TL35-2500-044 | 2 x 115 | 44V C.T. @5.68A | 22V @11.36A |
| | TL35-2500-048 | 2 x 115 | 48V C.T. @5.20A | 24V @10.40A |
| | TL35-2500-060 | 2 x 115 | 60V C.T. @4.16A | 30V @8.32A |
| | TL35-2500-066 | 2 x 115 | 66V C.T. @3.78A | 33V @7.56A |
| | TL35-2500-070 | 2 x 115 | 70V C.T. @3.57A | 35V @7.14A |
| | TL35-2500-076 | 2 x 115 | 76V C.T. @3.28A | 38V @6.56A |
| | TL35-2500-110 | 2 x 115 | 110V C.T. @2.27A | 55V @4.54A |
| | TL35-2500-230 | 2 x 115 | 230V C.T. @1.08A | 115V @2.16A |
| 300VA | TL35-3000-030 | 2 x 115 | 30V C.T. @10.00A | 15V @20.00A |
| | TL35-3000-036 | 2 x 115 | 36V C.T. @8.33A | 18V @16.66A |
| | TL35-3000-048 | 2 x 115 | 48V C.T. @6.25A | 24V @12.50A |
| | TL35-3000-060 | 2 x 115 | 60V C.T. @5.00A | 30V @10.00A |
| | TL35-3000-066 | 2 x 115 | 66V C.T. @4.54A | 33V @9.08A |
| | TL35-3000-070 | 2 x 115 | 70V C.T. @4.28A | 35V @8.56A |
| | TL35-3000-076 | 2 x 115 | 76V C.T. @3.94A | 38V @7.88A |
| | TL35-3000-090 | 2 x 115 | 90V C.T. @3.33A | 45V @6.66A |
| | TL35-3000-110 | 2 x 115 | 110V C.T. @2.72A | 55V @5.44A |
| | TL35-3000-230 | 2 x 115 | 230V C.T. @1.30A | 115V @2.60A |
| 400VA | TL35-4000-048 | 2 x 115 | 48V C.T. @8.33A | 24V @16.66A |
| | TL35-4000-060 | 2 x 115 | 60V C.T. @6.66A | 30V @13.32A |
| | TL35-4000-066 | 2 x 115 | 66V C.T. @6.06A | 33V @12.12A |
| | TL35-4000-070 | 2 x 115 | 70V C.T. @5.71A | 35V @11.42A |
| | TL35-4000-076 | 2 x 115 | 76V C.T. @5.26A | 38V @10.52A |
| | TL35-4000-090 | 2 x 115 | 90V C.T. @4.44A | 45V @8.88A |
| | TL35-4000-110 | 2 x 115 | 110V C.T. @3.63A | 55V @7.26A |
| | TL35-4000-230 | 2 x 115 | 230V C.T. @1.73A | 115V @3.46A |
| 500VA | TL35-5000-048 | 2 x 115 | 48V C.T. @10.41A | 24V @20.83A |
| | TL35-5000-060 | 2 x 115 | 60V C.T. @8.33A | 30V @16.66A |
| | TL35-5000-066 | 2 x 115 | 66V C.T. @7.57A | 33V @15.14A |
| | TL35-5000-070 | 2 x 115 | 70V C.T. @7.14A | 35V @14.28A |
| | TL35-5000-076 | 2 x 115 | 76V C.T. @6.57A | 38V @13.14A |
| | TL35-5000-090 | 2 x 115 | 90V C.T. @5.55A | 45V @11.10A |
| | TL35-5000-110 | 2 x 115 | 110V C.T. @4.54A | 55V @9.08A |
| | TL35-5000-230 | 2 x 115 | 230V C.T. @2.17A | 115V @4.34A |