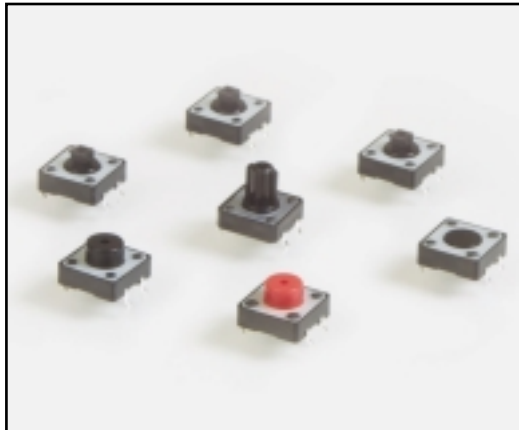


TACT SWITCHES



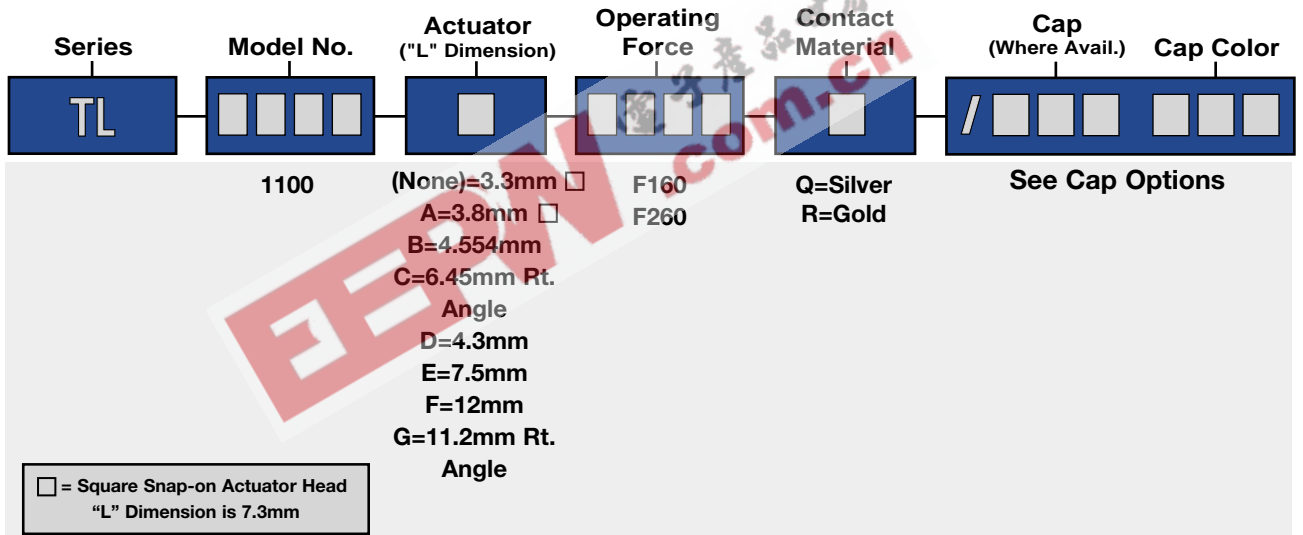
SPECIFICATIONS

| | |
|------------------------|---|
| Rating: | 50mA@50 VDC |
| Electrical Life: | 100,000 cycles |
| Contact Resistance: | 100mΩ max., typical @ 2-4 VDC 100mA for both silver and gold plated contacts |
| Insulation Resistance: | 1,000MΩ min. |
| Dielectric Strength: | >1,000 V rms at sea level |
| Operating Force: | 160 ± 50 gf, 260 ± 50 gf |

MATERIALS

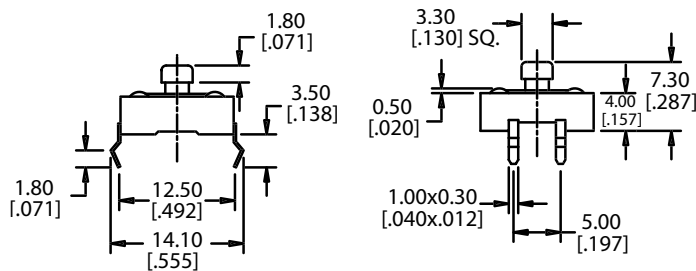
| | |
|------------|----------------------------------|
| Housing: | Polybutylene Terephthalate (PBT) |
| Actuator: | Polybutylene Terephthalate (PBT) |
| Cover: | Polyester |
| Contacts: | Silver plated phosphor bronze |
| Terminals: | Silver plated copper alloy |

HOW TO ORDER

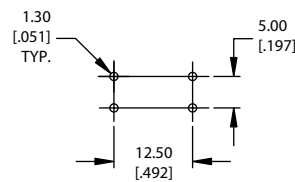


EXAMPLE

TL → 1100 → C → F260 → Q → TAK → GRY



P.C. MOUNTING



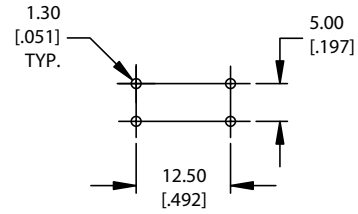
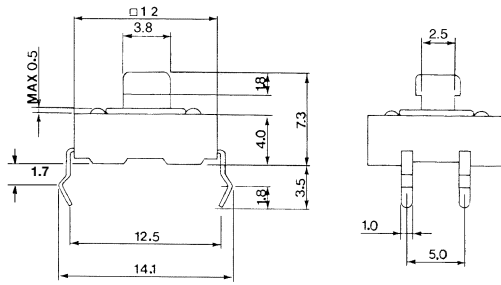
SERIES TL SWITCHES

TACT SWITCH

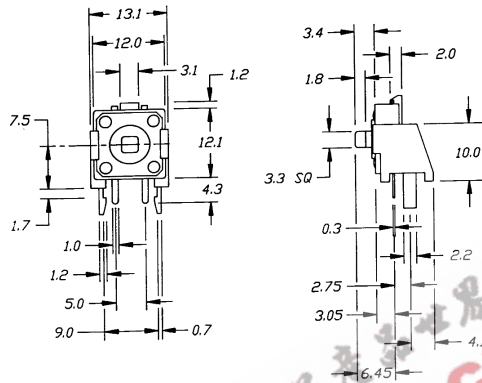
P.C. MOUNTING



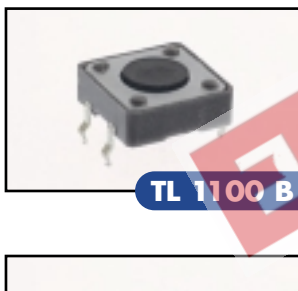
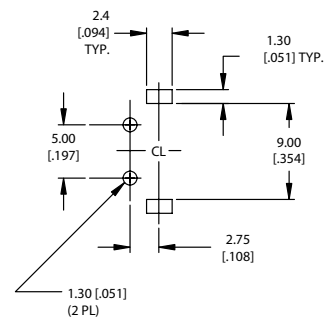
TL 1100 A



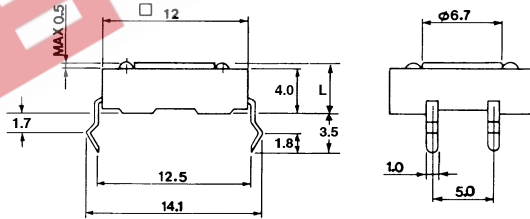
TL 1100 C



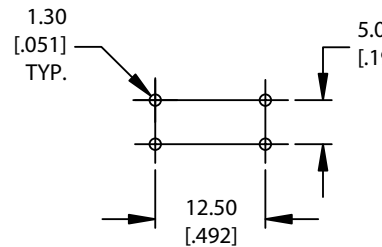
P.C. MOUNTING



TL 1100 B



P.C. MOUNTING

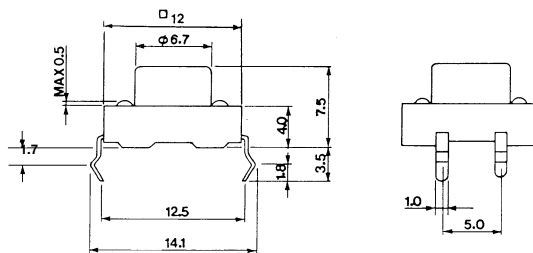


TL 1100 D

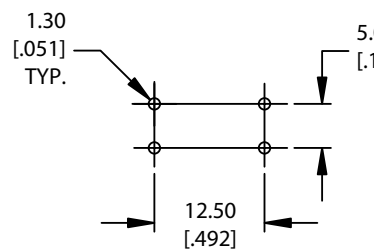
| Actuator Length (L) in mm |
|---------------------------|
| B = 4.55 mm |
| D = 4.3 mm |



TL 1100 E



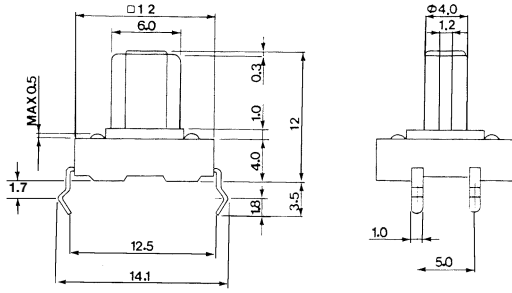
P.C. MOUNTING



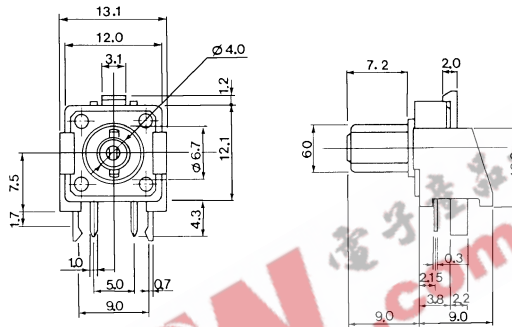
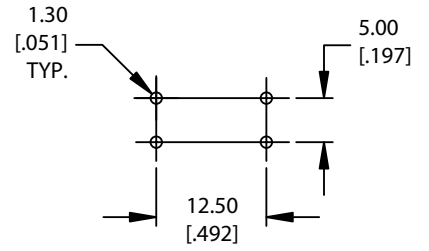
SPECIFICATIONS SUBJECT TO CHANGE WITHOUT NOTICE.

SERIES **TL** SWITCHES

TACT SWITCHES



P.C. MOUNTING



P.C. MOUNTING

