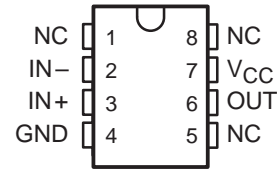


# TL321C, TL321I OPERATIONAL AMPLIFIERS

SLOS085 – D2343, APRIL 1977 – REVISED OCTOBER 1990

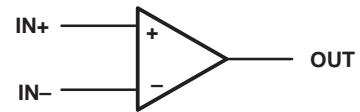
- **Wide Range of Single Supply Voltages . . . 3 V to 30 V or Dual Supplies**
- **Low Supply Current Independent of Supply Voltage . . . 0.8 mA Typ**
- **Common-Mode Input Voltage Range Includes Ground Allowing Direct Sensing Near Ground**
- **Low Input Bias and Offset Parameters**
  - Input Offset Voltage . . . 2 mV Typ
  - Input Offset Current . . . 3 nA Typ (TL321I)
  - Input Bias Current . . . 45 nA Typ
- **Differential Input Voltage Range Equal to Maximum-Rated Supply Voltage . . .  $\pm 32$  V**
- **Open-Loop Differential Voltage Amplification . . . 100 V/mV Typ**
- **Internal Frequency Compensation**

TTL321C, TL321I . . . D OR P PACKAGE  
(TOP VIEW)



NC – No internal connection

symbol



AVAILABLE OPTIONS

T <sub>A</sub>	V <sub>IO</sub> MAX at 25°C	PACKAGE	
		SMALL OUTLINE (D)	PLASTIC DIP (P)
0°C to 70°C	7 mV	TL321CD	TL321CP
-25°C to 85°C	5 mV	TL321ID	TL321IP

The D packages are available taped and reeled. Add the suffix R to the device type, (e.g., TL321CDR).

## description

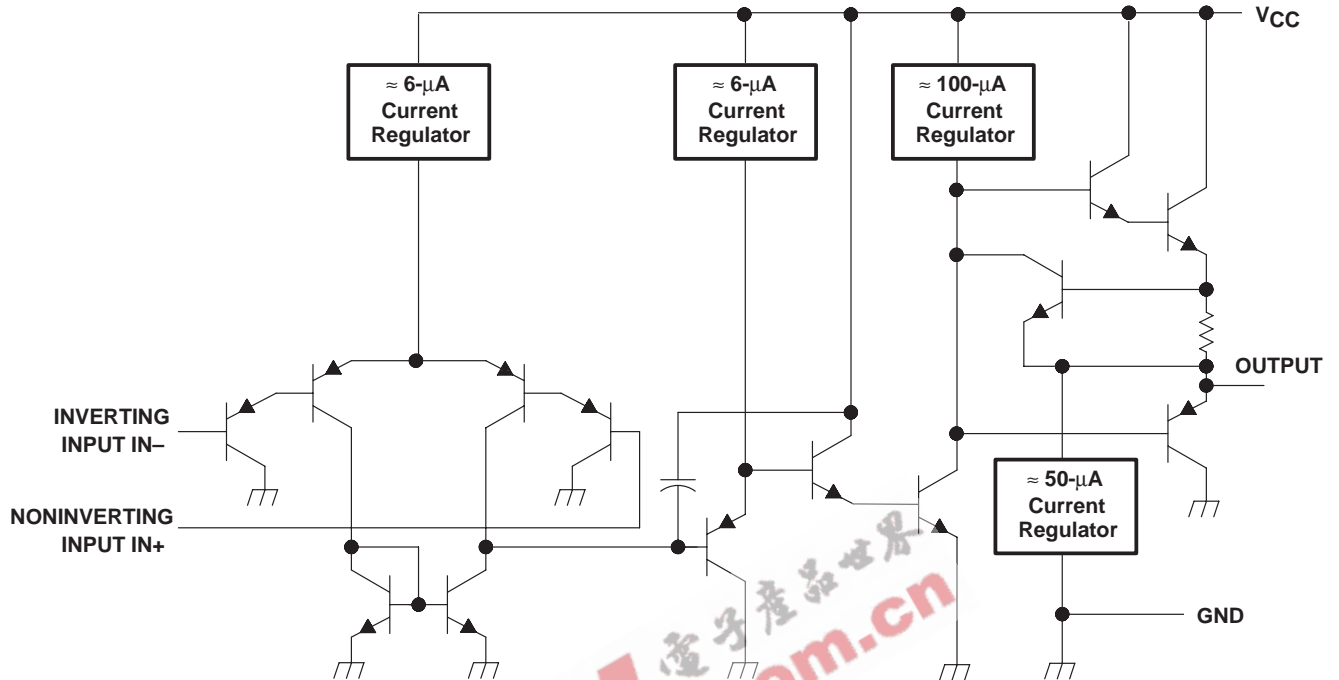
The TL321 is a high-gain, frequency-compensated operational amplifier that is designed specifically to operate from a single supply over a wide range of voltages. Operation from split supplies is also possible as long as the difference between the two supplies is 3 V to 30 V and pin 7 is at least 1.5 V more positive than the input common-mode voltage. The low supply current is independent of the magnitude of the supply voltage.

Applications include transducer amplifiers, dc amplification blocks, and all the conventional operational amplifier circuits that now can be more easily implemented in single-supply-voltage systems. For example, the TL321 can be operated directly off of the standard 5-V supply that is used in digital systems and will easily provide the required interface electronics without requiring additional  $\pm 15$ -V supplies.

The TL321C is characterized for operation from 0°C to 70°C. The TL321I is characterized for operation from -25°C to 85°C.

# TL321C, TL321I OPERATIONAL AMPLIFIERS

## schematic



### absolute maximum ratings over operating free-air temperature range (unless otherwise noted)

Supply voltage, $V_{CC}$ (see Note 1)	32 V
Differential input voltage (see Note 2)	$\pm 32$ V
Input voltage range (either input)	-0.3 V to 32 V
Duration of output short circuit to ground at (or below) 25°C free-air temperature ( $V_{CC} \leq 15$ V) (see Note 3)	Unlimited
Continuous total dissipation	See Dissipation Rating Table
Operating free-air temperature range: TL321C	0°C to 70°C
TL321I	-25°C to 85°C
Storage temperature range	-65°C to 150°C
Lead temperature 1,6 mm (1/16 inch) from case for 10 seconds	260°C

- NOTES: 1. All voltage values, except differential voltages, are with respect to the network ground terminal.  
 2. Differential voltages are at the noninverting input terminal with respect to the inverting input terminal.  
 3. Short circuits from the output to  $V_{CC}$  can cause excessive heating and eventual destruction.

DISSIPATION RATING TABLE

PACKAGE	$T_A \leq 25^\circ\text{C}$ POWER RATING	DERATING FACTOR	DERATE ABOVE $T_A$	$T_A = 70^\circ\text{C}$ POWER RATING	$T_A = 85^\circ\text{C}$ POWER RATING
D	680 mW	5.8 mW/°C	33°C	464 mW	377 mW
P	680 mW	8.0 mW/°C	65°C	640 mW	520 mW

### recommended operating conditions

	MIN	NOM	MAX	UNIT
Single supply voltage, $V_{CC}$	5		30	V
Dual supply voltage, $V_{CC+}$	2.5		15	V
Dual supply voltage, $V_{CC-}$	-2.5		-15	V

# TL321C, TL321I OPERATIONAL AMPLIFIERS

**electrical characteristics at specified free-air temperature,  $V_{CC} = 5\text{ V}$  (unless otherwise noted)**

PARAMETER	TEST CONDITIONS†	TL321C			TL321I			UNIT	
		MIN	TYP	MAX	MIN	TYP	MAX		
$V_{IO}$ Input offset voltage	$V_{IC} = V_{ICR\text{ min}}$ , $V_{CC} = 5\text{ V to }30\text{ V}$ , $V_O = 1.4\text{ V}$ , $R_S = 50\text{ k}\Omega$	25°C		2	7		2	5	mV
		Full range			9			7	
$I_{IO}$ Input offset current	$V_O = 1.4\text{ V}$	25°C		5	50		3	30	nA
		Full range			150			100	
$I_{IB}$ Input bias current	$V_O = 1.4\text{ V}$	25°C		-45	-250		-45	-150	nA
		Full range			-500			-300	
$V_{ICR}$ Common-mode input voltage range	$V_{CC} = 5\text{ V to }30\text{ V}$	25°C	0 to $V_{CC}-1.5$		0 to $V_{CC}-1.5$				V
		Full range	0 to $V_{CC}-1.5$		0 to $V_{CC}-1.5$				
$V_{OH}$ High-level output voltage	$V_{CC} = 30\text{ V}$ , $R_L = 2\text{ k}\Omega$	Full range	26		26				V
	$V_{CC} = 30\text{ V}$ , $R_L \geq 10\text{ k}\Omega$	Full range	27	28	27	28			
	$R_L \geq 2\text{ k}\Omega$	25°C	3.5		3.5				
$V_{OL}$ Low-level output voltage	$R_L \geq 10\text{ k}\Omega$	Full range	5		5		20		mV
$A_{VD}$ Large-signal differential voltage amplification	$V_{CC} = 15\text{ V}$ , $V_O = 1\text{ V to }11\text{ V}$ , $R_L = 2\text{ k}\Omega$	25°C	25	100	50	100			V/mV
		Full range	15		25				
CMRR Common-mode rejection ratio	$V_{IC} = V_{ICR\text{ min}}$ , $R_S = 50\text{ k}\Omega$	25°C	65	85	70	85			dB
$k_{SVR}$ Supply voltage rejection ratio ( $\Delta V_{CC}/\Delta V_{IO}$ )	$V_{CC} = 5\text{ V to }30\text{ V}$ , $R_S = 50\text{ k}\Omega$	25°C	65	100	65	100			dB
$I_O$ Output current	Source	25°C	-20	-40	-25	-40			mA
		Full range	-10	-20	-10	-20			
	Sink	25°C	10	20	10	20			
		Full range	5	8	5	8			
		$V_{ID} = -1\text{ V}$ , $V_O = 200\text{ V}$	25°C	12	50	12	50		
$I_{CC}$ Supply current	No load, $V_O = 15\text{ V}$ , $V_{CC} = 30\text{ V}$	Full range			2				mA
	No load, $V_O = 2.5\text{ V}$ , $V_{CC} = 5\text{ V}$	Full range			1		0.4	1	

† All characteristics are measured under open-loop conditions with zero common-mode voltage unless otherwise specified. Full range is 0°C to 70°C for TL321C and -25°C to 85°C for TL321I.

## IMPORTANT NOTICE

Texas Instruments and its subsidiaries (TI) reserve the right to make changes to their products or to discontinue any product or service without notice, and advise customers to obtain the latest version of relevant information to verify, before placing orders, that information being relied on is current and complete. All products are sold subject to the terms and conditions of sale supplied at the time of order acknowledgement, including those pertaining to warranty, patent infringement, and limitation of liability.

TI warrants performance of its semiconductor products to the specifications applicable at the time of sale in accordance with TI's standard warranty. Testing and other quality control techniques are utilized to the extent TI deems necessary to support this warranty. Specific testing of all parameters of each device is not necessarily performed, except those mandated by government requirements.

CERTAIN APPLICATIONS USING SEMICONDUCTOR PRODUCTS MAY INVOLVE POTENTIAL RISKS OF DEATH, PERSONAL INJURY, OR SEVERE PROPERTY OR ENVIRONMENTAL DAMAGE ("CRITICAL APPLICATIONS"). TI SEMICONDUCTOR PRODUCTS ARE NOT DESIGNED, AUTHORIZED, OR WARRANTED TO BE SUITABLE FOR USE IN LIFE-SUPPORT DEVICES OR SYSTEMS OR OTHER CRITICAL APPLICATIONS. INCLUSION OF TI PRODUCTS IN SUCH APPLICATIONS IS UNDERSTOOD TO BE FULLY AT THE CUSTOMER'S RISK.

In order to minimize risks associated with the customer's applications, adequate design and operating safeguards must be provided by the customer to minimize inherent or procedural hazards.

TI assumes no liability for applications assistance or customer product design. TI does not warrant or represent that any license, either express or implied, is granted under any patent right, copyright, mask work right, or other intellectual property right of TI covering or relating to any combination, machine, or process in which such semiconductor products or services might be or are used. TI's publication of information regarding any third party's products or services does not constitute TI's approval, warranty or endorsement thereof.