

(TLP721F)

OFFICE MACHINE.  
SWITCHING POWER SUPPLY.

The TOSHIBA TLP721F consists of a photo-transistor optically coupled to a gallium arsenide infrared emitting diode in a four lead plastic DIP package.

All parameters are tested to the specification of TLP721.  
(both condition and limits)

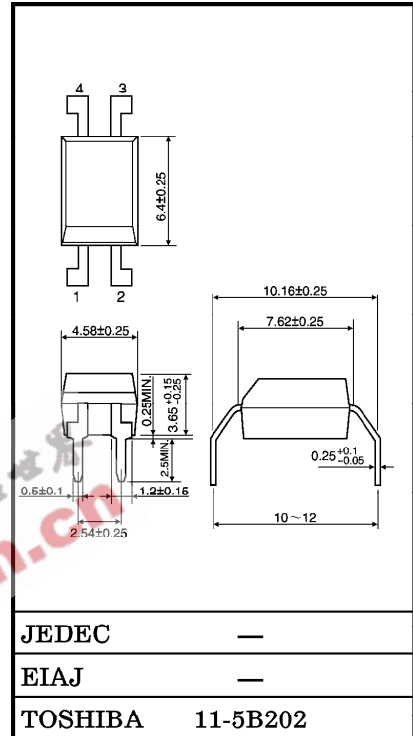
- Collector-Emitter Voltage : 55V (Min.)
- Current Transfer Ratio : 50% (Min.)  
Rank GB : 100% (Min.)
- UL Recognized : UL1577, File No.E67349
- BSI Approved : BS415 : 1990, BS7002 : 1989(EN60950)  
Certificate No.7364, 7365
- SEMKO Approved : SS4330784  
Certificate 9325163
- Isolation Voltage : 4000V<sub>rms</sub> (Min.)
- Option (D4) type  
VDE Approved : DIN VDE0884 / 06.92,  
Certificate No. 74285

Maximum Operating Insulation Voltage : 890V<sub>PK</sub>  
Highest Permissible Over Voltage : 6000V<sub>PK</sub>

(Note) When a VDE0884 approved type is needed,  
please designate the "Option (D4)"

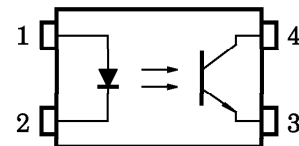
- Creepage Distance : 8.0mm (Min.)  
Clearance : 8.0mm (Min.)  
Internal Creepage Path : 4.0mm (Min.)  
Insulation Thickness : 0.5mm (Min.)
- Conforming Safety Standards :  
DIN 57 804.VDE0804 / 1.83  
DIN IEC65 / VDE0860 / 8.81  
DIN IEC380 / VDE0806 / 8.81  
DIN IEC435 / VDE0805 / Draft Nov.84  
DIN IEC601T1 / VDE0750T1 / 5.82  
BS7002 : 1989 (EN60950)

Unit in mm



Weight : 0.28g

PIN CONFIGURATION (TOP VIEW)



1. ANODE
2. CATHODE
3. EMITTER
4. COLLECTOR