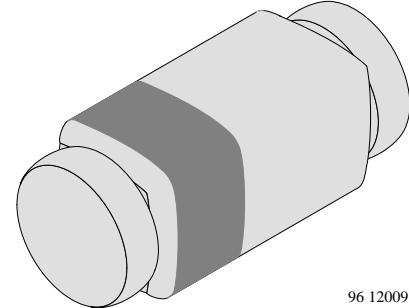


Silicon Epitaxial Planar Z-Diodes

Features

- Zener voltage specified at 50 μ A
- Maximum delta V_Z given from 10 μ A to 100 μ A
- Very high stability
- Low noise



96 12009

Applications

Voltage stabilization

Absolute Maximum Ratings

 $T_j = 25^\circ\text{C}$

Parameter	Test Conditions	Type	Symbol	Value	Unit
Power dissipation	$R_{thJA} \leq 300\text{K/W}$		P_V	500	mW
Z-current			I_Z	P_V/V_Z	mA
Junction temperature			T_j	175	$^\circ\text{C}$
Storage temperature range			T_{stg}	-65...+175	$^\circ\text{C}$

Maximum Thermal Resistance

 $T_j = 25^\circ\text{C}$

Parameter	Test Conditions	Symbol	Value	Unit
Junction ambient	on PC board 50mmx50mmx1.6mm	R_{thJA}	500	K/W

Electrical Characteristics

 $T_j = 25^\circ\text{C}$

Parameter	Test Conditions	Type	Symbol	Min	Typ	Max	Unit
Forward voltage	$I_F=100\text{mA}$		V_F			1.5	V

TZS4678...TZS4717



Vishay Telefunken

Type ¹⁾	Zener Voltage V_Z @ $I_Z = 50\mu A$			Max. Reverse Current	Test Voltage	Max. Zener Current	Max. Voltage Change
	Typ. ¹⁾	Min.	Max.				
	V	V	V	I_R ³⁾	V_R ³⁾	I_{ZM} ²⁾	ΔV_Z ⁴⁾
				μA	V	mA	V
TZS4678	1.8	1.710	1.890	7.5	1.0	120	0.70
TZS4679	2.0	1.900	2.100	5.0	1.0	110	0.70
TZS4680	2.2	2.090	2.310	4.0	1.0	100	0.75
TZS4681	2.4	2.280	2.520	2.0	1.0	95	0.80
TZS4682	2.7	2.565	2.835	1.0	1.0	90	0.85
TZS4683	3.0	2.850	3.150	0.8	1.0	85	0.90
TZS4684	3.3	3.135	3.465	7.5	1.5	80	0.95
TZS4685	3.6	3.420	3.780	7.5	2.0	75	0.95
TZS4686	3.9	3.705	4.095	5.0	2.0	70	0.97
TZS4687	4.3	4.085	4.515	4.0	2.0	65	0.99
TZS4688	4.7	4.465	4.935	10	3.0	60	0.99
TZS4689	5.1	4.845	5.355	10	3.0	55	0.97
TZS4690	5.6	5.320	5.880	10	4.0	50	0.96
TZS4691	6.2	5.890	6.510	10	5.0	45	0.95
TZS4692	6.8	6.460	7.140	10	5.1	35	0.90
TZS4693	7.5	7.125	7.875	10	5.7	31.8	0.75
TZS4694	8.2	7.790	8.610	1.0	6.2	29.0	0.50
TZS4695	8.7	8.265	9.135	1.0	6.6	27.4	0.10
TZS4696	9.1	8.645	9.555	1.0	6.9	26.2	0.08
TZS4697	10	9.500	10.50	1.0	7.6	24.8	0.10
TZS4698	11	10.45	11.55	0.05	8.4	21.6	0.11
TZS4699	12	11.40	12.60	0.05	9.1	20.4	0.12
TZS4700	13	12.35	13.65	0.05	9.8	19.0	0.13
TZS4701	14	13.30	14.70	0.05	10.6	17.5	0.14
TZS4702	15	14.25	15.75	0.05	11.4	16.3	0.15
TZS4703	16	15.20	16.80	0.05	12.1	15.4	0.16
TZS4704	17	16.15	17.85	0.05	12.9	14.5	0.17
TZS4705	18	17.10	18.90	0.05	13.6	13.2	0.18
TZS4706	19	18.05	19.95	0.05	14.4	12.5	0.19
TZS4707	20	19.00	21.00	0.01	15.2	11.9	0.20
TZS4708	22	20.90	23.10	0.01	16.7	10.8	0.22
TZS4709	24	22.80	25.20	0.01	18.2	9.9	0.24
TZS4710	25	23.75	26.25	0.01	19.0	9.5	0.25
TZS4711	27	25.65	28.35	0.01	20.4	8.8	0.27
TZS4712	28	26.60	29.40	0.01	21.2	8.5	0.28
TZS4713	30	28.50	31.50	0.01	22.8	7.9	0.30
TZS4714	33	31.35	34.65	0.01	25.0	7.2	0.33
TZS4715	36	34.20	37.80	0.01	27.3	6.6	0.36
TZS4716	39	37.05	40.95	0.01	29.6	6.1	0.39
TZS4717	43	40.85	45.15	0.01	32.6	5.5	0.43

- 1.) Tolerancing and voltage designation (V_Z).
The type numbers shown have a standard tolerance of $\pm 5\%$ on the nominal zener voltage.
- 2.) Maximum zener current ratings (I_{ZM}).
Maximum zener current ratings are based on maximum zener voltage of the individual units.
- 3.) Reverse leakage current (I_R).
Reverse leakage currents are guaranteed and measured at V_R as shown on the table.
- 4.) Maximum voltage change (ΔV_Z).
Voltage change is equal to the difference between V_Z at $100\mu\text{A}$ and V_Z at $10\mu\text{A}$.

Characteristics ($T_j = 25^\circ\text{C}$ unless otherwise specified)

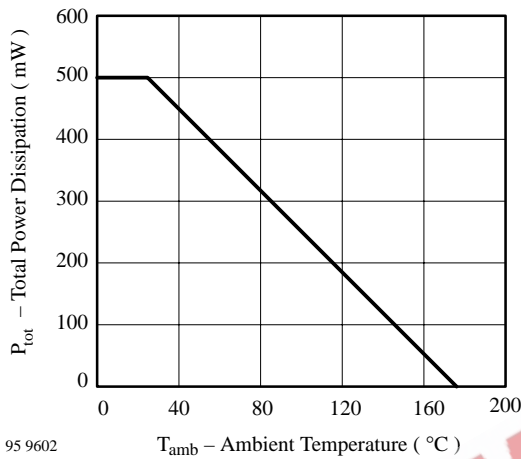


Figure 1. Total Power Dissipation vs. Ambient Temperature

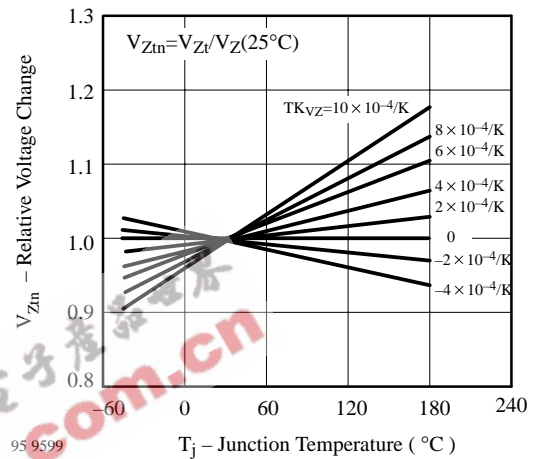


Figure 3. Typical Change of Working Voltage vs. Junction Temperature

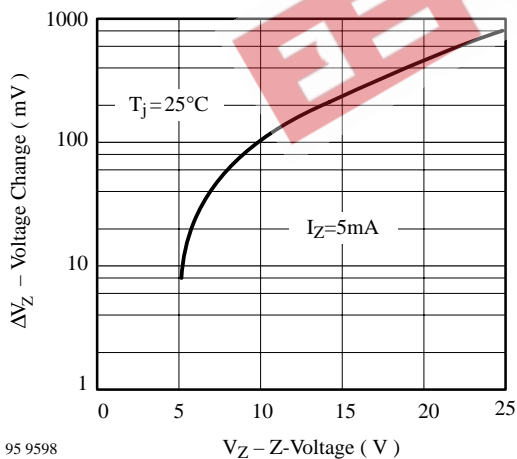


Figure 2. Typical Change of Working Voltage under Operating Conditions at $T_{\text{amb}}=25^\circ\text{C}$

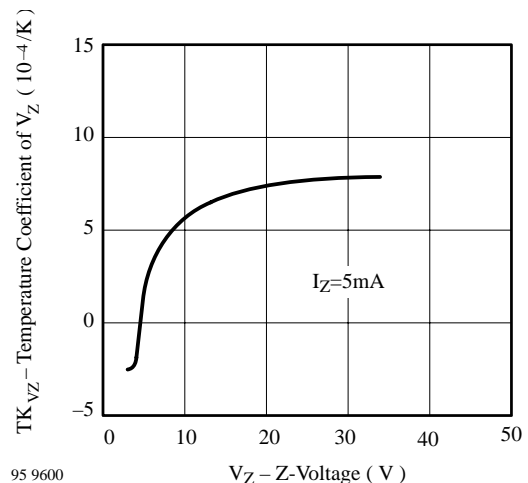
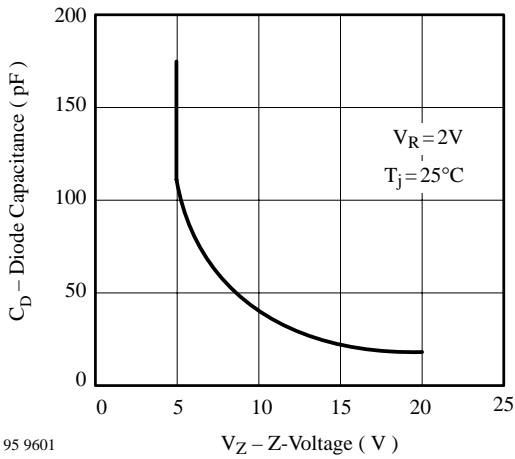
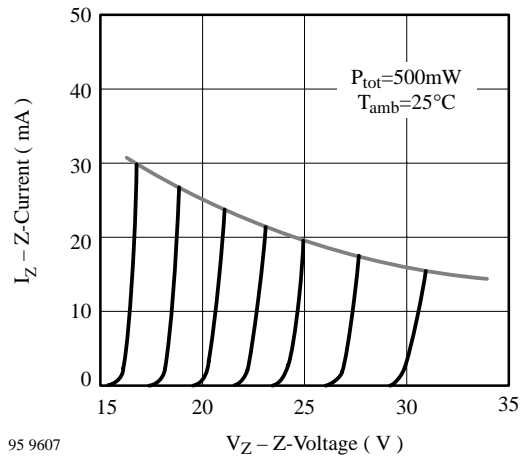


Figure 4. Temperature Coefficient of V_Z vs. Z-Voltage



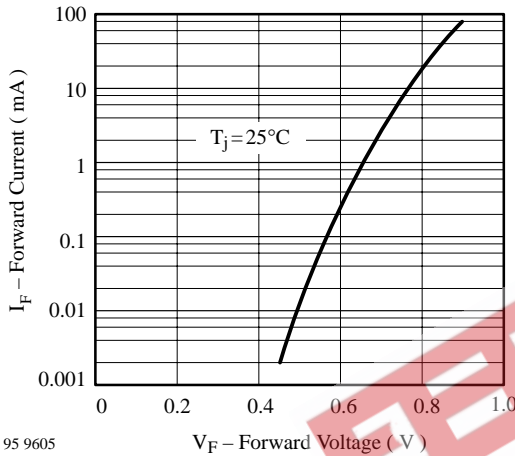
95 9601

Figure 5. Diode Capacitance vs. Z-Voltage



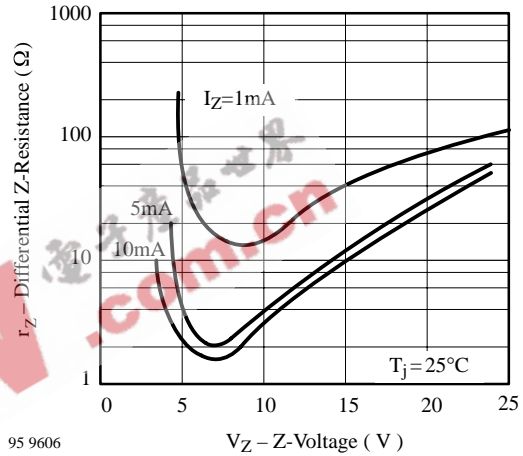
95 9607

Figure 8. Z-Current vs. Z-Voltage



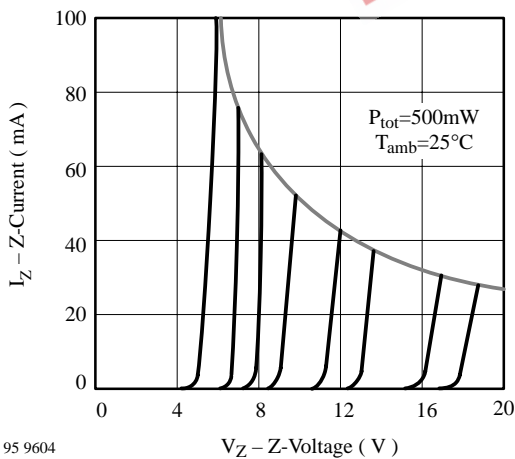
95 9605

Figure 6. Forward Current vs. Forward Voltage



95 9606

Figure 9. Differential Z-Resistance vs. Z-Voltage



95 9604

Figure 7. Z-Current vs. Z-Voltage

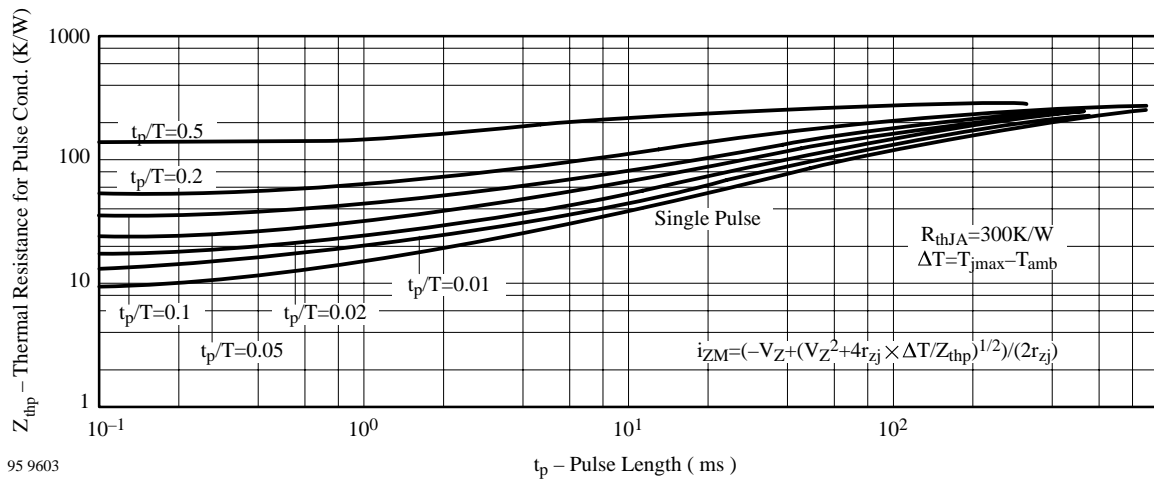
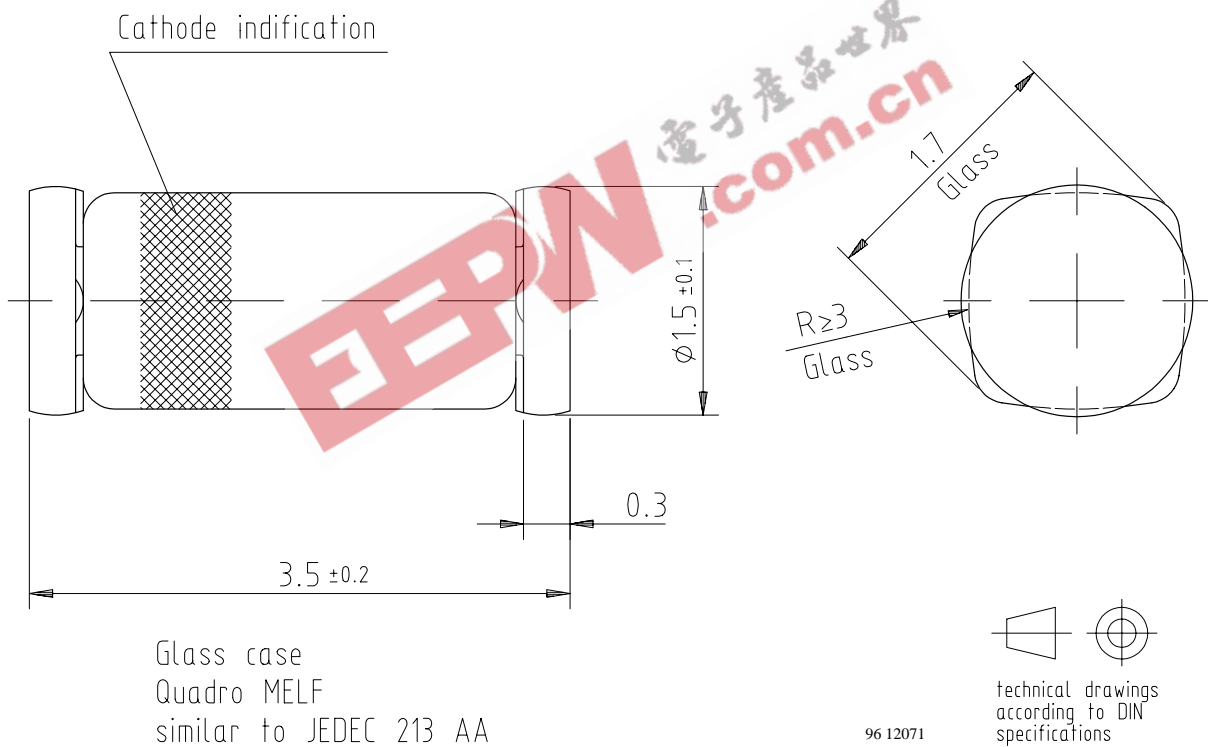


Figure 10. Thermal Response

Dimensions in mm





Ozone Depleting Substances Policy Statement

It is the policy of **Vishay Semiconductor GmbH** to

1. Meet all present and future national and international statutory requirements.
2. Regularly and continuously improve the performance of our products, processes, distribution and operating systems
with respect to their impact on the health and safety of our employees and the public, as well as their impact on the environment.

It is particular concern to control or eliminate releases of those substances into the atmosphere which are known as ozone depleting substances (ODSs).

The Montreal Protocol (1987) and its London Amendments (1990) intend to severely restrict the use of ODSs and forbid their use within the next ten years. Various national and international initiatives are pressing for an earlier ban on these substances.

Vishay Semiconductor GmbH has been able to use its policy of continuous improvements to eliminate the use of ODSs listed in the following documents.

1. Annex A, B and list of transitional substances of the Montreal Protocol and the London Amendments respectively
2. Class I and II ozone depleting substances in the Clean Air Act Amendments of 1990 by the Environmental Protection Agency (EPA) in the USA
3. Council Decision 88/540/EEC and 91/690/EEC Annex A, B and C (transitional substances) respectively.

Vishay Semiconductor GmbH can certify that our semiconductors are not manufactured with ozone depleting substances and do not contain such substances.

We reserve the right to make changes to improve technical design and may do so without further notice.

Parameters can vary in different applications. All operating parameters must be validated for each customer application by the customer. Should the buyer use Vishay-Telefunken products for any unintended or unauthorized application, the buyer shall indemnify Vishay-Telefunken against all claims, costs, damages, and expenses, arising out of, directly or indirectly, any claim of personal damage, injury or death associated with such unintended or unauthorized use.

Vishay Semiconductor GmbH, P.O.B. 3535, D-74025 Heilbronn, Germany
Telephone: 49 (0)7131 67 2831, Fax number: 49 (0)7131 67 2423