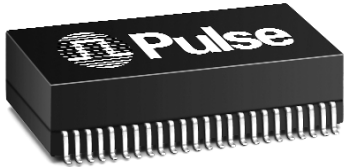


# T1/CEPT/ISDN-PRI TRANSFORMER

## Quad Port SMT Transformer Module

### with Line Side Protection



- ⊕ Four transmit transformers, four receive transformers and line side protection circuit in a surface mount package
- ⊕ Matched to Infineon's QUADFALC and QUADLIU transceivers
- ⊕ Patented "Interlock Base" construction for high reliability
- ⊕ IC grade transfer-molded package withstands 235°C IR reflow temperature
- ⊕ Minimum Isolation voltage: 1500 Vrms (UL approval pending)

#### Electrical Specifications @ 25°C — Operating Temperature -40°C to +85°C

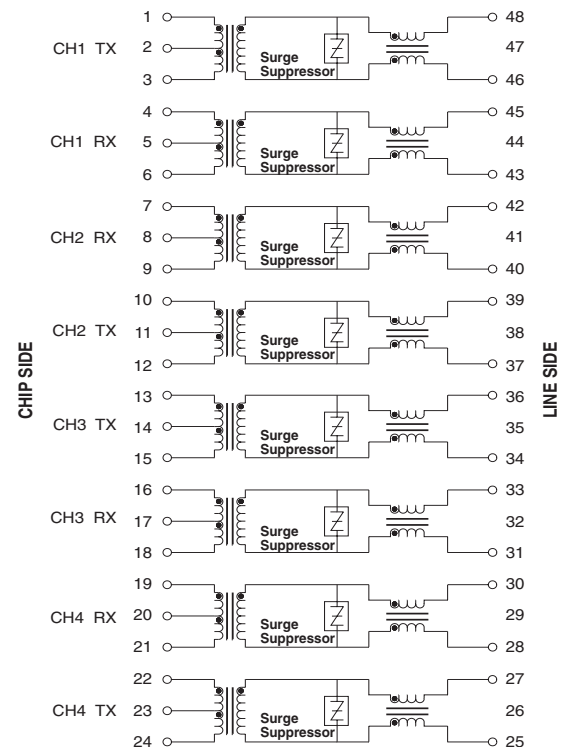
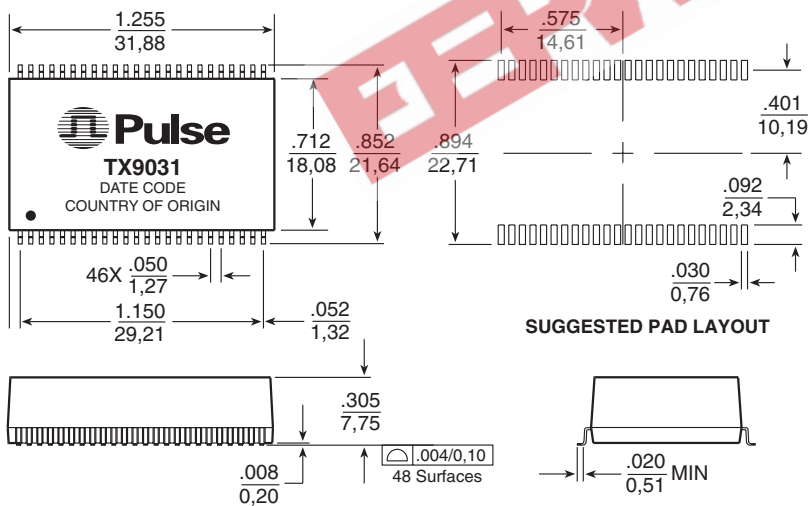
Part Number	Turns Ratio <sup>1</sup> (Pri:Sec ±5%)		OCL Line Side (mH MIN)	Cw/w (pF MAX)	LL (μH MAX)	Package/ Schematic	Primary Pins	
	Transmit	Receive					Transmit	Receive
TX9031	1CT:2.4	1:1CT	1.2	35 & 35	.50 & .80	BRT	1-3, 10-12, 13-15, 22-24	45-43, 42-40, 33-31, 30-28

**NOTE:** For extended temperature range transformers, OCL (Open Circuit Inductance for the primary winding) is specified at both -40°C and +25°C. At -40°C, OCL is 600 μH minimum. All other parameters are specified at +25°C.

#### Mechanical

#### Schematic

#### BRT



Weight .....9.2 grams  
Tape & Reel.....150/reel  
Tube .....15/tube

Dimensions:  $\frac{\text{Inches}}{\text{mm}}$   
Unless otherwise specified, all tolerances are  $\pm \frac{.010}{.025}$

#### For More Information :

UNITED STATES (Worldwide)	UNITED KINGDOM (Northern Europe)	FRANCE (Southern Europe)	SINGAPORE (Southern Asia)	TAIWAN, R.O.C. (Northern Asia)	DISTRIBUTOR
12220 World Trade Drive San Diego, CA 92128 U.S.A. http://www.pulseeng.com TEL: 858 674 8100 FAX: 858 674 8262	1 & 2 Huxley Road The Surrey Research Park Guildford, Surrey GU2 5RE United Kingdom TEL: 44 1483 401700 FAX: 44 1483 401701	Zone Industrielle F-39270 Orgelet France TEL: 33 3 84 35 04 04 FAX: 33 3 84 25 46 41	150 Kampong Ampat #07-01/02 KA Centre Singapore 368324 TEL: 65 287 8998 FAX:65 280 0080	3F-4, No. 81, Sec. 1 HsinTai Wu Road Hsi-Chih, Taipei Hsien Taiwan, R.O.C. Tel: 886 2 2698 0228 FAX: 886 2 2698 0948	

Performance warranty of products offered on this data sheet is limited to the parameters specified. Data is subject to change without notice. Other brand and product names mentioned herein may be products and/or registered trademarks of their respective owners.