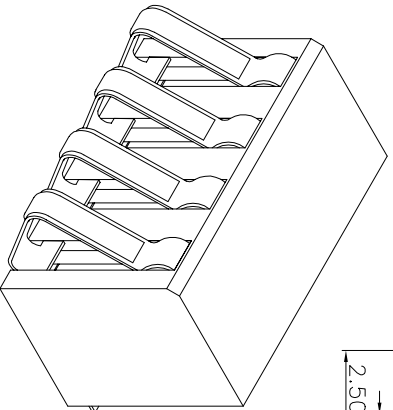
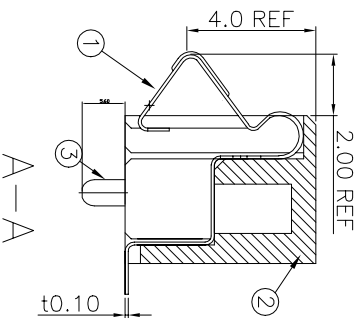
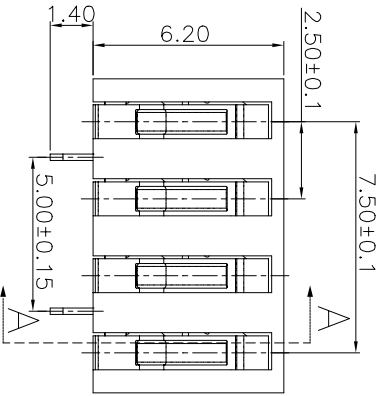
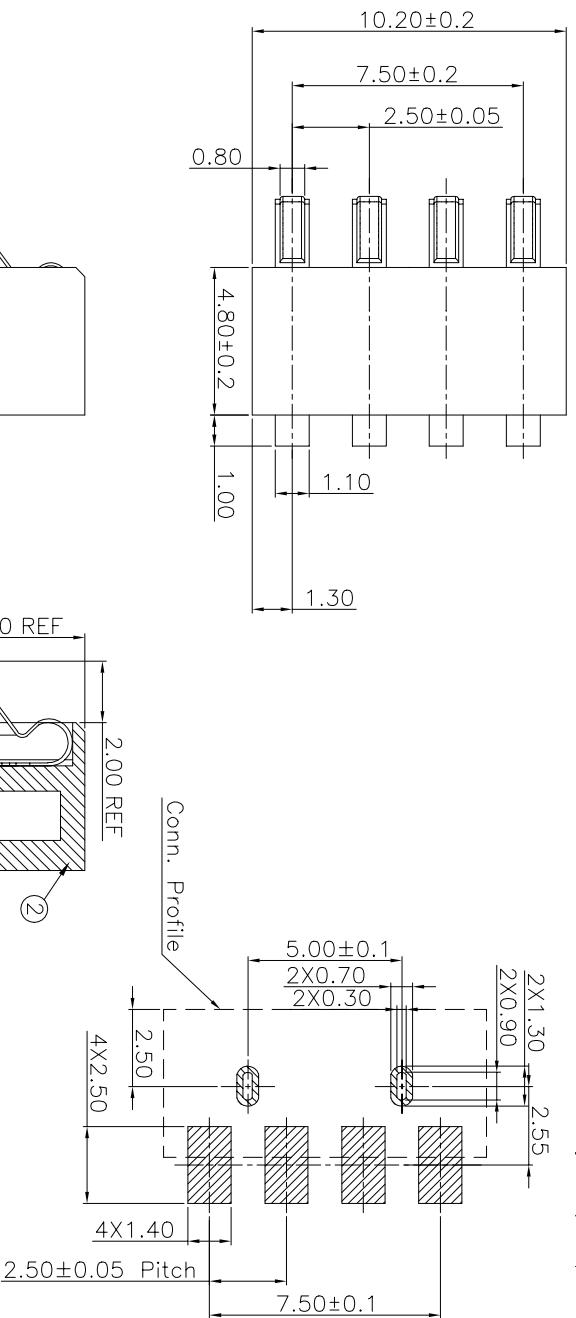


Recommended P.C.B Layout (Component Side)



NOTE:  
250037MB004□□00ZL

1. Selective plating
- G1-05u" Gold over Nickel.
- G2-Indicate Gold flash.
- G3-10u" Gold over Nickel.
- G4-15u" Gold over Nickel.
- G5-30u" Gold over Nickel.
- G6-50u" Gold over Nickel.

ECN (DCN) NO.	REV	DATE	DESCRIPTION	CHANGE APPRO.	GENERAL TOLERANCE UNLESS OTHERWISE NOTED
	0		NEW		

Angle	±2°	DRAW	
30 ~	±0.50	DESIGN	
10 ~ 30	±0.30	CHECK	
~ 10	±0.15	APPRO.	

CUSTOMER COPY	TITLE: 4 PIN Battery Connector
PART NO.	250037MB004G100ZL
PART NO. (OLD)	
DRAWING NO. INGS	D 250037MB004G100ZL
SCALE	4:1

**SUYN**  
CONNECTOR

3	Fork	Brass		Tin Plated
2	Housing	LCP	BLACK	UL94V-0,Black
1	Contact	Phosphor Bronze		Gold Plated
NO.	DESCRIPTION	MATERIAL	COLOR	REMARK