



P/N: 40ST1141AX DATA SHEET

Feature



- IEEE 802.3 Ethernet compatible.
- 100 Base-TX Surface mountable.
- Design for multi-port repeater and Ethernet switching HUB application.
- Customer designs available for specific application.
- Operating temperature range :0°C to +70°C.
- Storage temperature range: -25°C to +125°C.

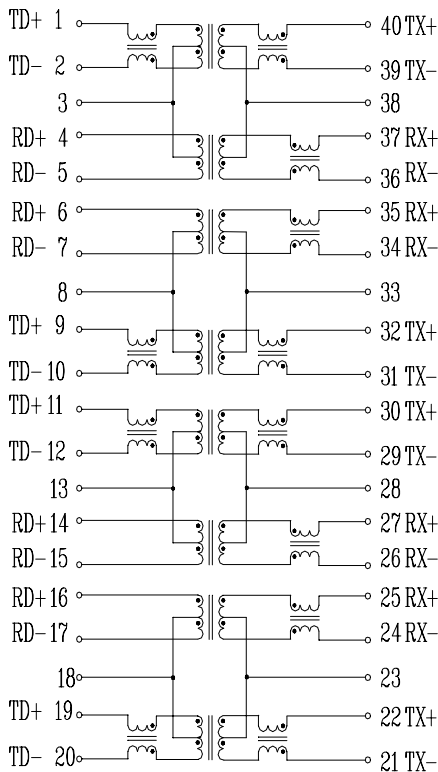
Electrical Specifications @ 25°C

Part Number	Turns Ratio (±5%)		OCL(uH Min) @100KHz/0.1V with 8mA DC Bias	L.L (uH Max)	C _{w/w} (pF Typ)	DCR (Ω Max)	HI-POT (Vrms)
	TX	RX					
40ST1141AX	1CT:1CT	1CT:1CT	350	0.5	50	0.9	1500

Continue

Part Number	Insertion Loss (dB Max)	Return Loss (dB Min)				Cross talk (dB Min)		DCMR (dB Min)		
		1-100MHz	0.3-30MHz	40 MHz	50MHz	60-80MHz	0.3-60MHz	60-100MHz	60MHz	100MHz
40ST1141AX	-1.10	-18	-15	-13	-11	-40	-35	-37	-28	-25

Schematic



Mechanical

