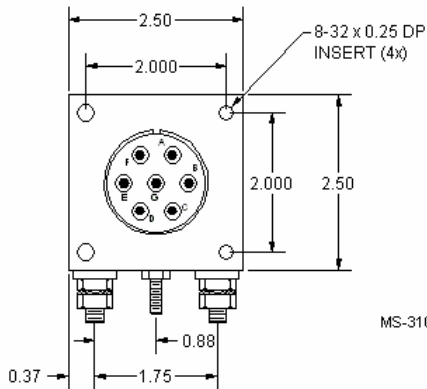
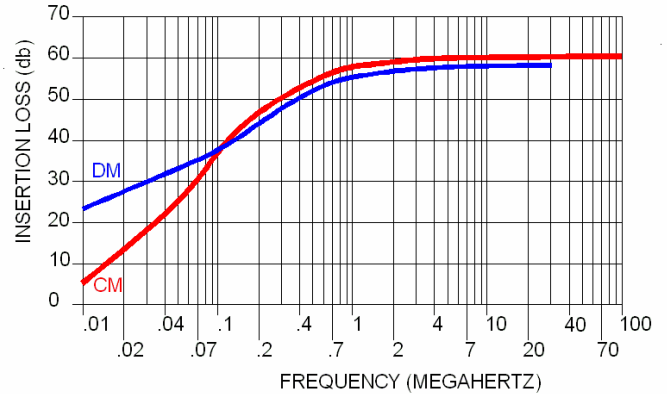
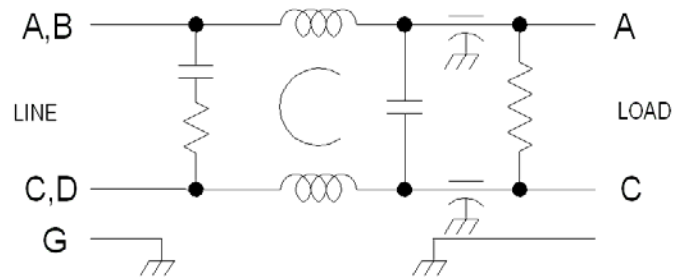


The ZM-1758-40 filter is designed to work with systems with requirements to meet Mil-Std-461D or Mil-Std-461E.

The filter is designed so that there are no resonant points in the operating range. The common mode insertion loss is also a minimum 50 dB from 100Mhz to 1.0Ghz. This performance is needed in order to suppress high frequency signals on the power leads that can cause problems with radiated emissions.

Operating voltage = 28 Vdc  
 Operating current = 40 Amp  
 Operating temperature = (-55)—85C  
 Diel. withstanding (line - case) = 800 Vdc (1.0 Minute)

Order P/N: ZM-1758-40



MS-3102-R24-10P

