

Bothhand USA. e-mail: sales@bothhandusa.com http://www.bothhandusa.com
40 PIN SMD ETHERNET 10-BASE T QUAD PORT TRANSFORMER

P/N: 40ST8051B DATA SHEET

Page : 1/1

Feature



- 40-Pin SMD package compatible with IEEE 802.3 standard & for the new technology "Filterless" transceiver chips.
- Designed for multiport repeater and switched Ethernet applications utilizing
- single RJ-45 connectors.
- Operating temperature range : 0°C to +70°C.
- Storage temperature range: -25°C to +125°C.

Electrical Specifications @ 25°C

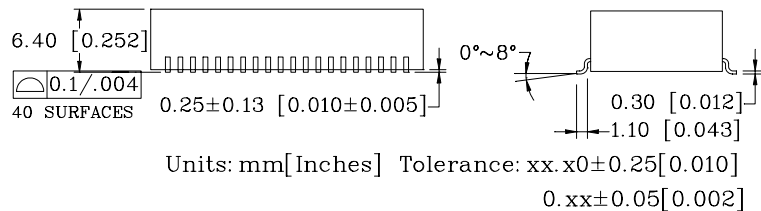
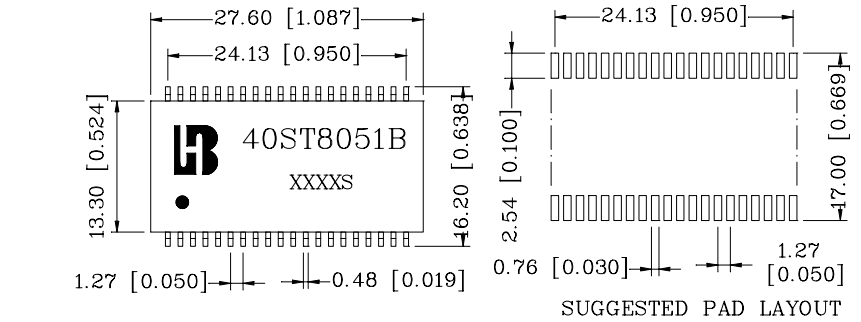
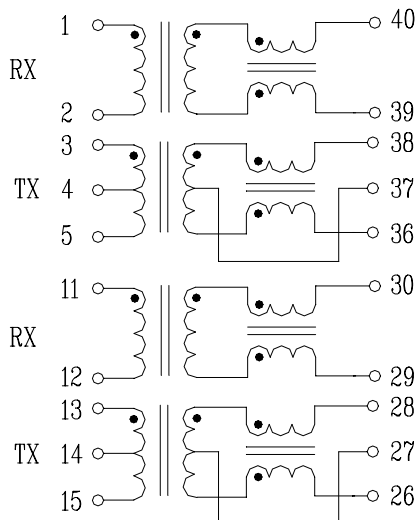
Part Number	Turns Ratio (±5%)		TX&RX Pri.OCL (+H)	TX&RX L.L (+H Max)	Pri&Sec Cw/w (pF Max)
	TX	RX			
40ST8051B	1CT:1CT	1:1	100±20%	0.4	12

Continue

Part Number	Peak Pulse Rating (Volts)	Dissipation Rating (m W)	Insulation Resistance (M Ω)	Pri/Sec HI-POT (Vrms)
40ST8051B	50	75	10,000	1500

Schematic

Mechanical



This datasheet has been downloaded from:

www.EEworld.com.cn

Free Download

Daily Updated Database

100% Free Datasheet Search Site

100% Free IC Replacement Search Site

Convenient Electronic Dictionary

Fast Search System

www.EEworld.com.cn