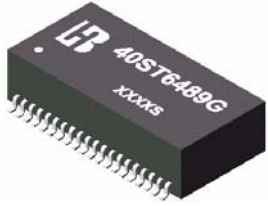


**40 PIN SMD ETHERNET 10 BASE T QUAD PORT TRANSFORMER**

P/N: 40ST6489G DATA SHEET

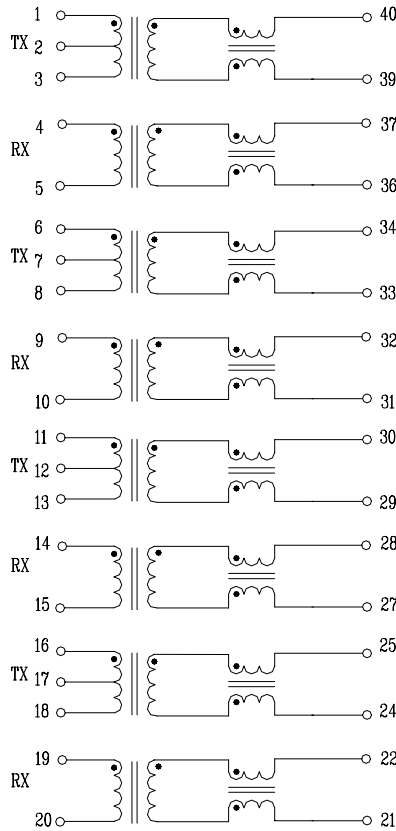
**Feature**



- IEEE 802.3 Ethernet compatible.
- Surface mountable.
- Operating temperature range : 0°C to +70°C.
- Storage temperature range: -25°C to +125°C.

Electrical Specifications @ 25°C				
Part Number	Turns Ratio		OCL(•H Min) @100KHz/0.1Vrms	HI-POT (Vrms )
	TX	RX		
40ST6489G	1CT:1.414	1:1	200	1500
Continue				
Part Number	Return Loss (dB Min)	CMR(dB Min)@ 1-100MHz		
		TX	RX	
40ST6489G	-15	-25	-20	

**Schematic**



**Mechanical**

