



40 PIN SMD ETHERNET 10/100 BASE –TX HIGH SPEED LAN MAGNETICS

P/N: 40SS1041AXM LF DATA SHEET

Feature



- Symmetrical TX and RX channels for auto MDIX capability.
- Compliant with IEEE 802.3u and ANSI X3.263 standards including 350uH OCL with 8mA bias.
- Comply with RoHS requirements-whole part No Cd, No Hg, No Cr6+, No PBB and PBDE and No Pb on external pins.
- Comply with Air reflow profile of JEDEC 020C.
- Operating temperature range : -40 to +85 .
- Storage temperature range: -40 to +125 .

Electrical Specifications @ 25°C

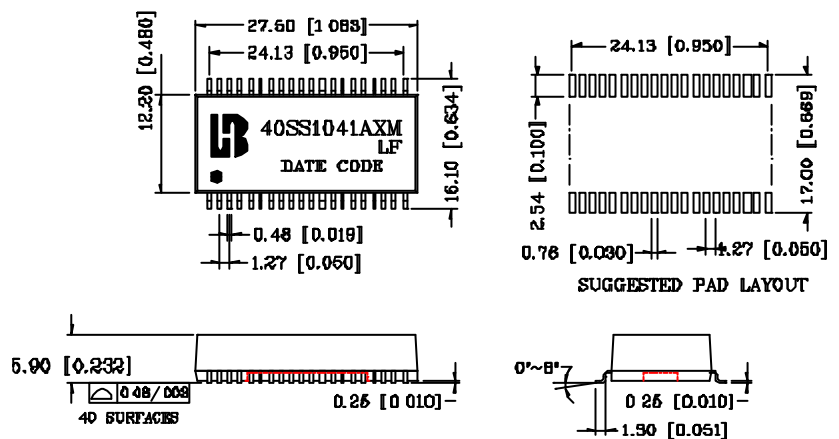
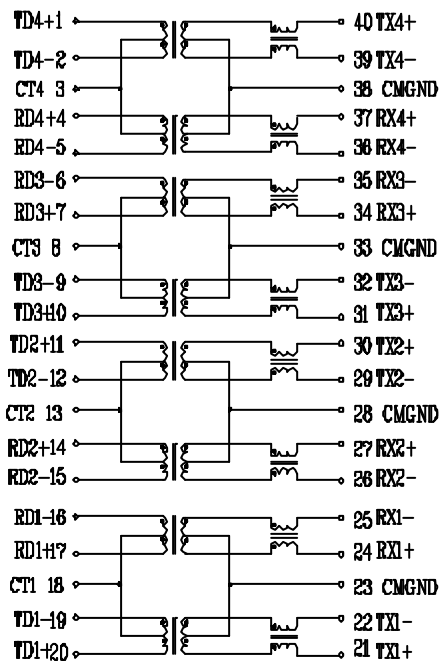
Part Number	Turns Ratio (±5%) TX/RX	OCL (uH Min) @100KHz/0.1V with 8mA DC Bias	L.L (uH Max)	C _{www} (pF Max)	DCMR (dB Min)		HI-POT (Vrms)
					1-60MHz	60-200MHz	
40SS1041AXM LF	1CT:1CT	350	0.4	56	-37	-25	1500

Continue

Part Number	Insertion Loss (dB Max)	Return Loss (dB Min)				Cross talk (dB Min)			
		0.3-100MHz	2-30MHz	40MHz	50MHz	60-80MHz	1MHz	30MHz	60MHz
40SS1041AXM LF	-1.4	-16	-12	-12	-10	-55	-45	-40	-33

Schematic

Mechanical



Units: mm[Inches] Tolerances: xx.x0±0.25[0.010]
0.xx±0.05[0.002]