



P/N: 40ST1021B DATA SHEET

Feature



- 40-PIN SMD Package designed to meet IEEE 802.3 & IR requirement .
- Operating temperature range: 0°C to +70°C .
- Storage temperature range: -25°C to +125°C .

Electrical Specifications @ 25°C

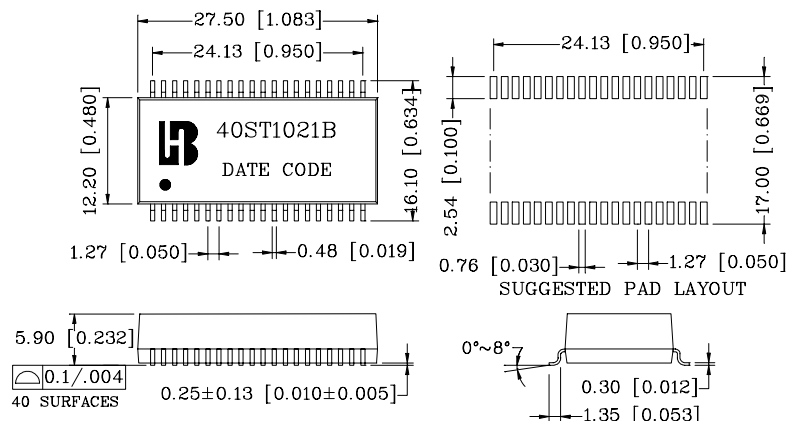
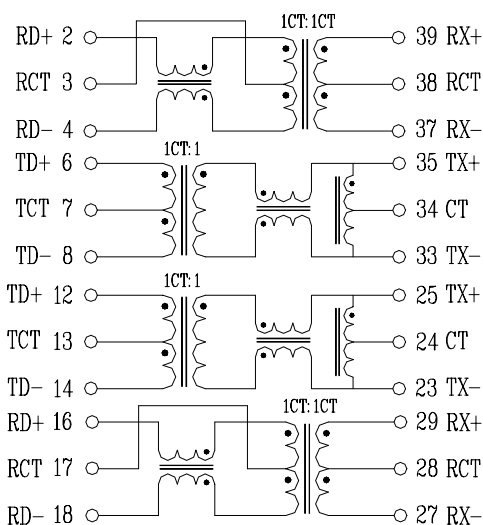
Part Number	Turns Ratio (±3%)		OCL (uH Min) @100KHz/0.1V with 8mA DC Bias	C _{WW} (pF Max)	L.L (uH Max)	Rise Time (nS Typ)	Insulation Resistance (MΩ)	HI-POT (Vrms)
	TX	RX						
40ST1021B	1CT:1	1CT:1CT	350	28	0.4	2.5	10,000	1500

Continue

Part Number	Insertion Loss (dB Max)	Return Loss (dB Min)			Cross talk (dB Min)		DCMR (dB Min)		
		0.3-100MHz	0.3-30MHz	30-60MHz	60-80MHz	0.3-60MHz	60-100MHz	60MHz	100MHz
40ST1021B	-1.15	-16	-12	-12	-40	-35	-40	-33	-25

Schematic

Mechanical



Units: mm[Inches] Tolerance: xx.x0±0.25[0.010]
0.xx±0.05[0.002]