



P/N: 40ST1044AX DATA SHEET

Feature



- IEEE 802.3 E and ANSI X3.236 standards including 350 uH OCL with 8mA bias.
- Operating temperature range :0°C to +70°C.
- Storage temperature range: -25°C to +125°C.

Electrical Specifications @ 25°C

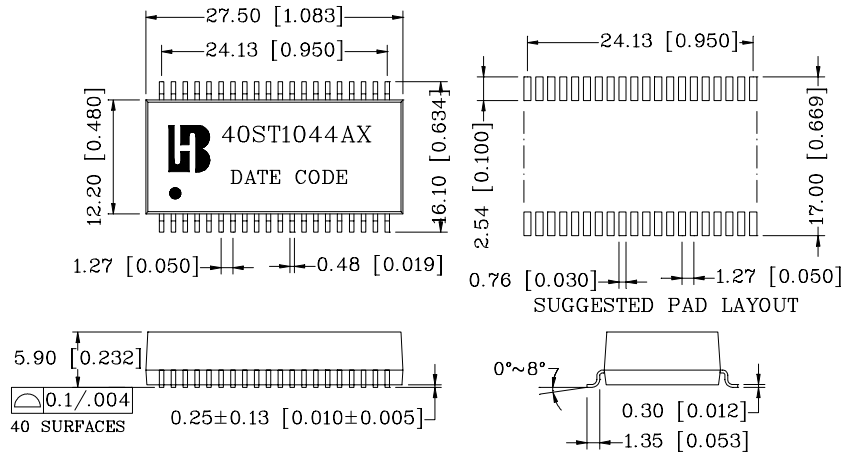
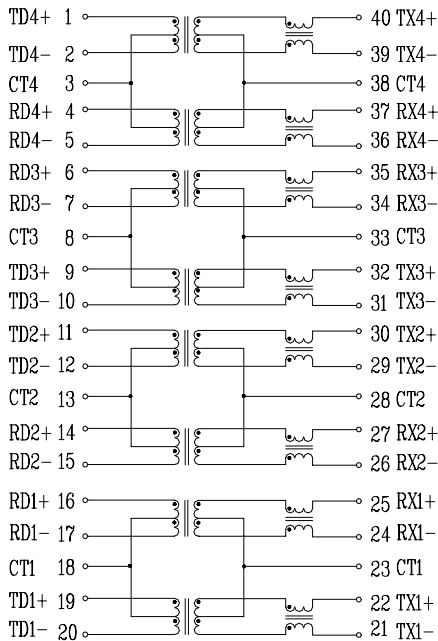
Part Number	Turns Ratio (±5%)		OCL (uH Min) @100KHz/0.1V with 8mA DC Bias	HI-POT (Vrms)
	TX	RX		
40ST1044AX	1.414CT:1CT	1CT:1CT	350	1500

Continue

Part Number	Insertion Loss (dB Max)	Return Loss (dB Min)			Cross talk (dB Min)		
		0.3-100MHz	0.3-30MHz	30-60MHz	60-80MHz	0.3-30MHz	60MHz
40ST1044AX	-1.0	-16	-12	-10	-45	-38	-34

Schematic

Mechanical



Units: mm[Inches] Tolerance: xx.x0±0.25[0.010]
0.xx±0.05[0.002]