

40 PIN SMD EHTERNET 10/100 BASE-TX TWO PORT TRANSFORMER

P/N: 40ST1028 DATA SHEET

Feature

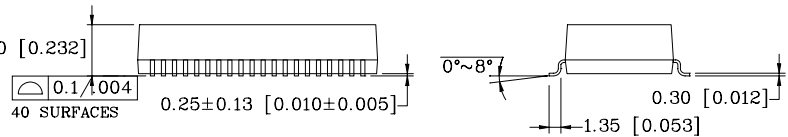
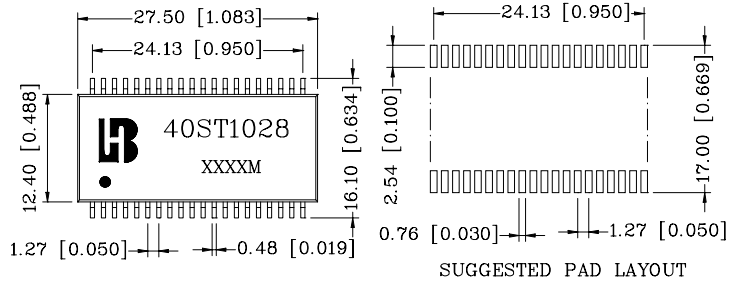
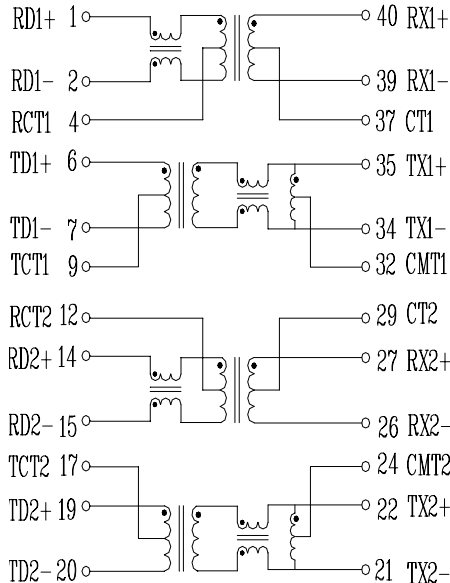


- 40 PIN SMD package & designed to Meet 802.3u standards.
- Insulation Resistance : 10,000 M•.
- Operating temperature range: 0°C TO +70°C.

Electrical Specifications @ 25°C							
Part Number	Turns Ratio (±5%)		OCL(•H Min) @100KHz/0.1Vrms 8mA DC/Bias	Leakage Inductance (•H Max)	CW/W (pF Max)	HI-POT (Vrms)	
	TX	RX					
40ST1028	1CT:1	1CT:1CT	350	0.4	28	1500	
Continue							
Part Number	Insertion Loss (dB Max.)	Return Loss (dB Min)			Cross talk (dB Min)	DCMR (dB Min)	
		0.3-100MHz	0.3-30MHz	30-60MHz		60-80MHz	0.3-100 MHz
40ST1028	-1.15	-16	-12	-10	-38	-37	-25

Schematic

Mechanical



Units: mm[Inches] Tolerance: xx.x0±0.25[0.010]  
0.xx±0.05[0.002]