

Model(型號): **ROTARY POTENTIOMETER-----WR3386P**

► Download PDF file



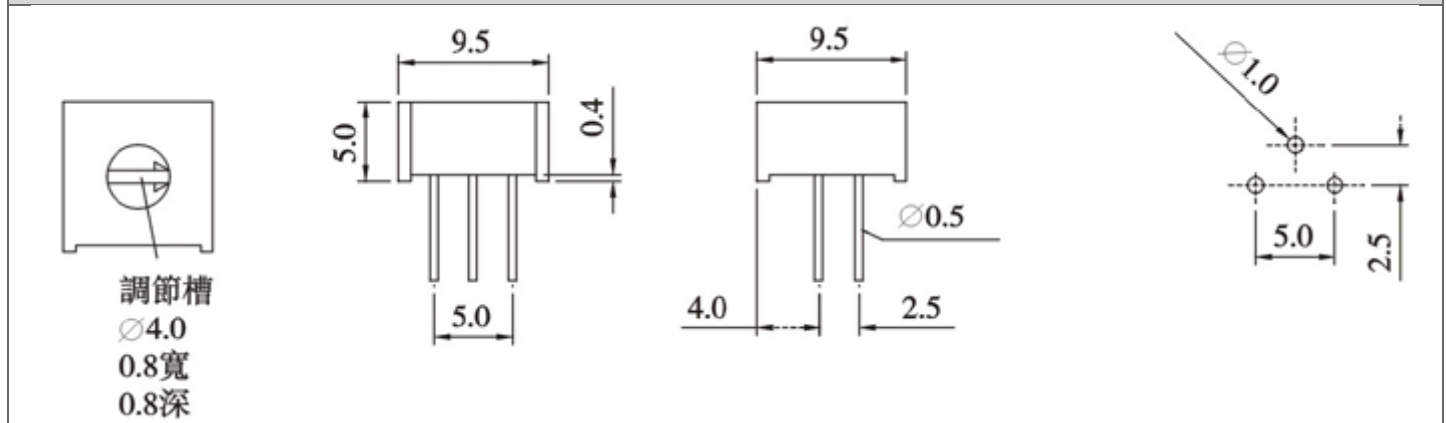
Features:(特點):

Measuring equipment, cMany models are available.High performance and high dependability.
Automatic adjustment (with automatically adjustable driver)possible.
Being of sealed structure,the potentiometimeters may be cleane with a variety of cleanign liquids.
Easy adjustment by large diameter shaft.
The adjustable screwdriver available i the commercial market can be used.

Applications(作用):

Measuring equipment,communication device,industrial machines,high requirements for environmet.

Dimensions(規格圖):



Specifications(規格)

ITEMS[項目]	WR3006	WR3266	WR3296	WR3329	WR3362	WR3386
Electrical Characteristics [電氣性能]						
Total resistance [全阻抗值]	100Ω~1MΩ					
Total resistance tolerance [全阻抗值容許差]	±10% or ±20%					
Ratings power(w) [額定功率]	0.75W	0.25W	0.5W	0.5W	0.5W	0.5W
Restings taper[阻抗變化特性]	(JIS)B					
Residual resistance [殘留阻值]	R<=1KΩ:10Ω; R>1KΩ:1%RΩ [R=Total resistance]					
Withstanding voltage [耐電壓]	630V AC	500V AC	500V AC	500V AC	640V AC	600V AC
Mechanical Characteristics [機械性能]						
Operation torque [回轉力矩]	30~350gf . cm					
Total rotational angle [回轉角度]	22±5 turns	12±2 turns	28±5 turns	280° ±10°	250° ±10°	300° ±10°
Endurance Characteristics [耐久性能]						
Rotational life [回轉壽命]	200 cycles					