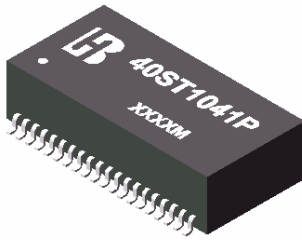


**40 PIN SMD ETHERNET 10/100 BASE QUAD PORT TRANSFORMER**

**P/N: 40ST1041P DATA SHEET**

**Feature**



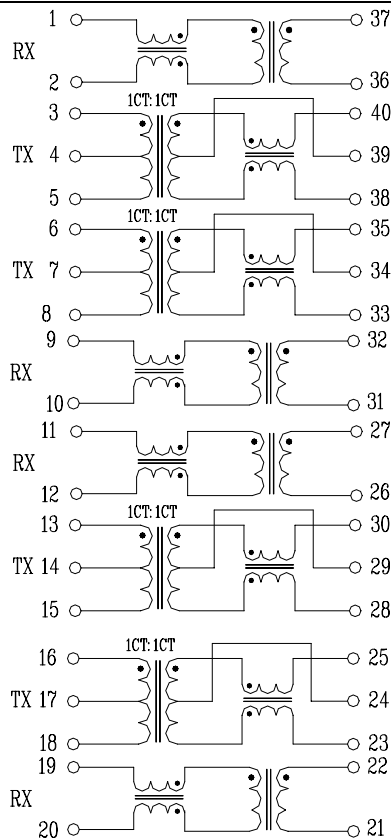
- IEEE 802.3 Ethernet compatible 100 BASE-TX.
- Surface mountable .
- Design for multiport repeater and Ethernet switching hub application .
- Customer designs available for specific application .
- Operating temperature range : -0°C to +70°C.
- Storage temperature range: -25°C to +125°C.

| Electrical Specifications @ 25°C |                   |     |   |                 |                             |                      |                  |        |        |
|----------------------------------|-------------------|-----|---|-----------------|-----------------------------|----------------------|------------------|--------|--------|
| Part Number                      | Turns Ratio (±5%) |     | OCL(μH Min)<br>@100KHz/0.1Vrms 8mA<br>DC/Bias | L.L<br>(μH Max) | C <sub>ww</sub><br>(pF Max) | RiseTime<br>(nS Typ) | HI-POT<br>(Vrms) |        |        |
|                                  | TX                | RX  |   |                 |                             |                      | 60MHz            | 100MHz | 200MHz |
| 40ST1041P                        | 1CT:1CT           | 1:1 | 350   | 0.42            | 30                          | 2.5                  | 2000             |        |        |

| Continue    |                            |                         |           |          |                        |           |                  |       |        |
|-------------|----------------------------|-------------------------|-----------|----------|------------------------|-----------|------------------|-------|--------|
| Part Number | Insertion Loss<br>(dB Max) | Return Loss<br>(dB Min) |           |          | Cross talk<br>(dB Min) |           | DCMR<br>(dB Min) |       |        |
|             |                            | 0.3-100MHz              | 0.3-30MHz | 30-60MHz | 60-80MHz               | 0.3-60MHz | 60-100MHz        | 60MHz | 100MHz |
| 40ST1041P   | -1.15                      | -16                     | -12       | -10      | -45                    | -35       | -37              | -28   | -25    |

**Schematic**



**Mechanical**

