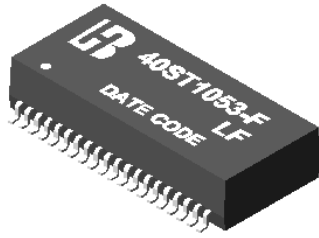




P/N: 40ST1053-F LF DATA SHEET

Feature



- IEEE 802.3 Ethernet compatible, 100 BASE-TX Surface mountable.
- Design for multi-port repeater and Ethernet switching Hub application.
- Lead free for external pins.
- Meet "HAST" requirement.
- Operating temperature range : 0°C to +70°C .
- Storage temperature range: -25°C to +125°C .

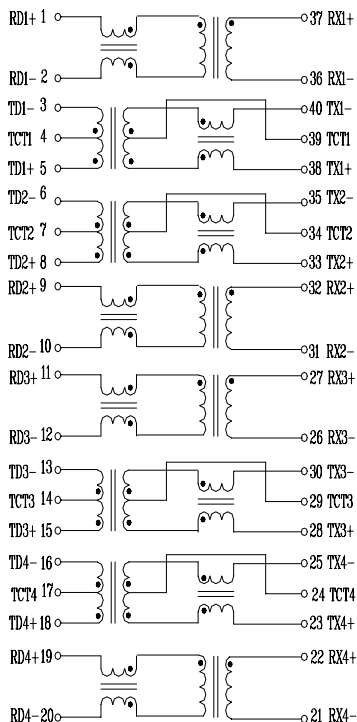
Electrical Specifications @ 25°C

Part Number	Turns Ratio (±5%)		OCL(uH Min) @100KHz/0.1V with 8mA DC Bias	Rise Time (nS Typ)	Insertion Loss (dB Max)	HI-POT (Vrms)
	TX	RX			0.3-100MHz	
40ST1053-F LF	1CT:1CT	1:1	350	2.5	-1.15	1500

Continue

Part Number	Return Loss (dB Min)			Cross talk (dB Min)		DCMR (dB Min)		
	0.3-30MHz	30-60MHz	60-80MHz	0.3-60MHz	60-100MHz	60MHz	100 MHz	200 MHz
40ST1053-F LF	-16	-12	-10	-40	-35	-37	-28	-25

Schematic



Mechanical

