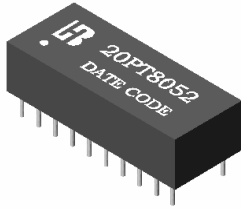


**P/N:20PT8052 DATA SHEET**  
**Feature**

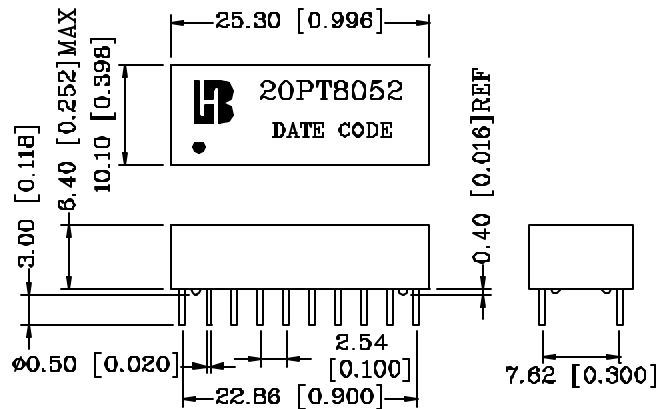
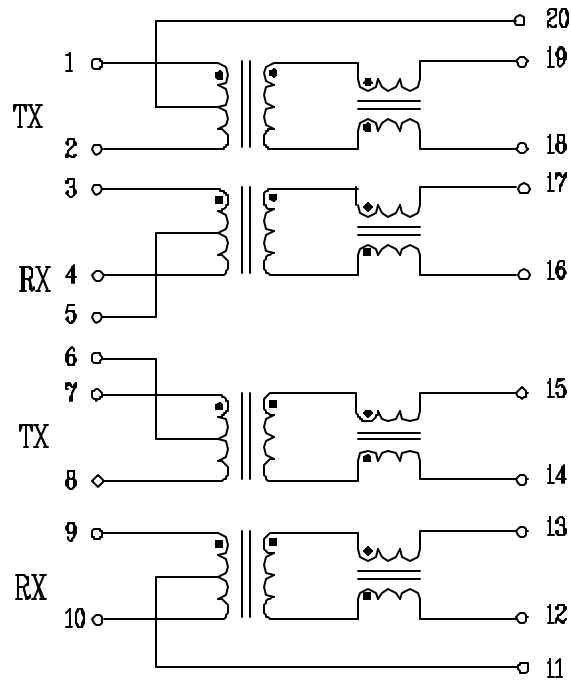


- 20-PIN DIL package compatible IEEE 802.3 standard & for the new Technology “Filterless” transceiver chips.
- Designed for multiport repeater and switched Ethernet applications utilizing single RJ-45 connectors.
- Operating temperature range: 0°C to +70°C.
- Storage temperature range: -25°C to +125°C.

Electrical Specifications @ 25°C					
Part Number	Turns Ratio (±5%)		Primary OCL (i H Min)	L.L TX/RX( i H Max)	Cw/w (pF Max)
	TX	RX			
20PT8052	1CT:1	1CT:1	140	0.35	15
Continue					
Part Number	DCR (Ω Max)	Isolation Voltage (Vrms)	Dissipation Rating (mW)	Peak Pulse Rating (Volts)	Insulation Resistance (MΩ)
20PT8052	0.3	1500	75	50	10,000

**Schematic**

**Mechanical**



Units: mm[Inches] Tolerances: xx.x0±0.25[0.010]  
 0.xx±0.05[0.002]