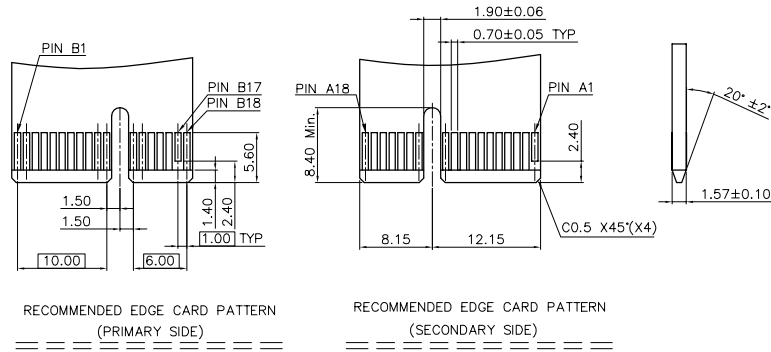
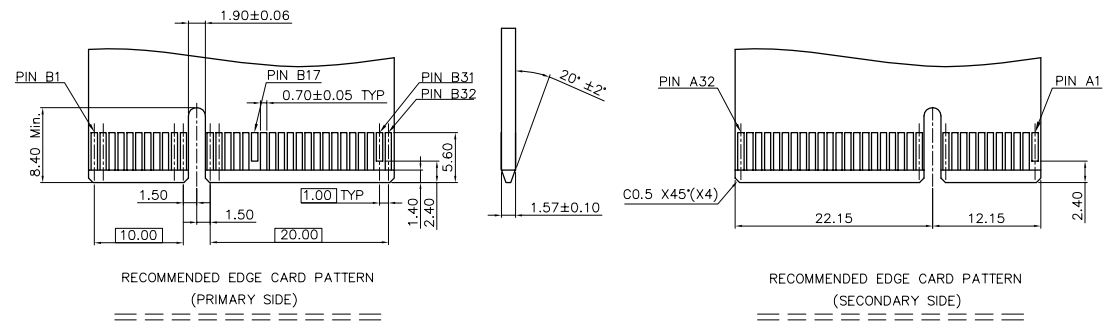


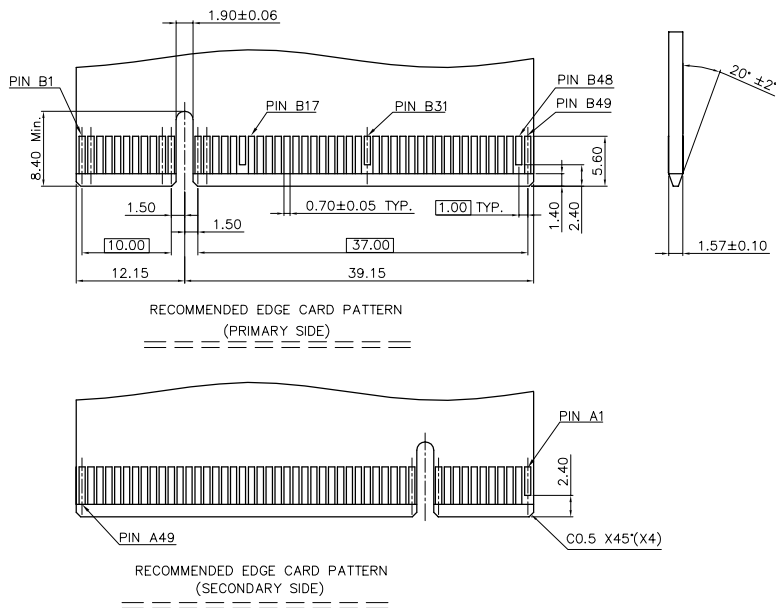
SUYIN P/NO.:100040FS036SXXXXA



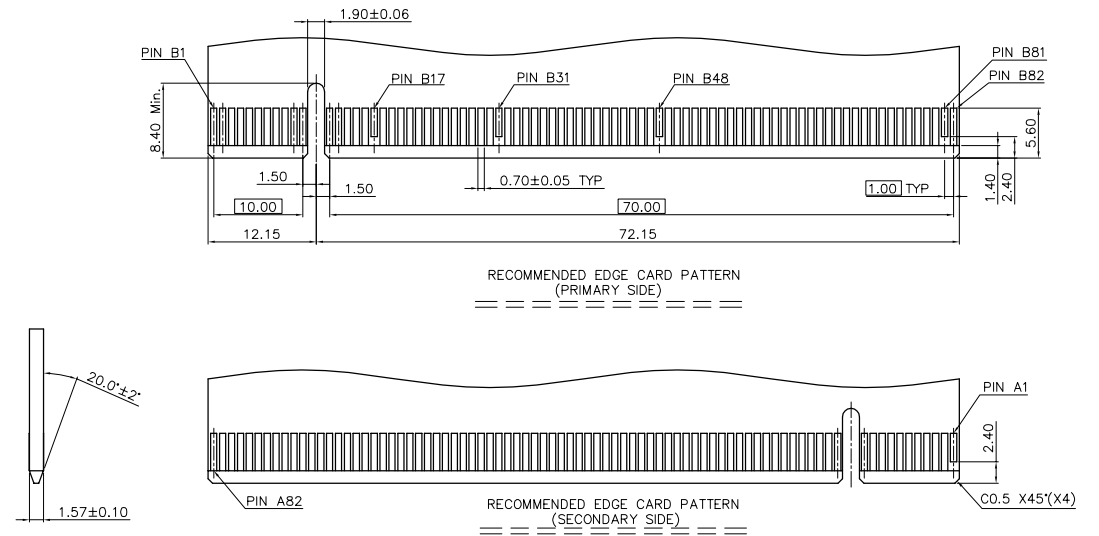
SUYIN P/NO.:100040FS064SXXXXA



SUYIN P/NO.:100040FS098SXXXXA



SUYIN P/NO.:100040FS164SXXXXA



SUYIN
CONNECTOR

CUSTOMER COPY	TITLE: PCI-EXPRESS 36 CKTS EDGE CARD CONNECTOR
PART NO.	100040FSXXXXSXXXXA
PART NO. (OLD)	
DRAWING NO.	D 100040FSXXXXSXXXXA
SCALE	1:1
UNIT	mm
	A4

ECN (DCN) NO.	0	REV	DATE	DESCRIPTION	CHANGE	APPRO.	GENERAL TOLERANCE UNLESS OTHERWISE NOTED	Angle	±2°	DRAW		
								30 ~	±0.50	DESIGN		
								10 ~ 30	±0.30	CHECK		
								~ 10	±0.15	APPRO.		