



40 PIN SMD ETHERNET 10/100 BASE QUAD
PORT TRANSFORMER

Bothhandusa.com

P/N: 40ST1053M DATA SHEET

Feature



- IEEE 802.3 Ethernet compatible, 100 BASE-TX
- Surface mountable.
- Design for multi-port repeater and Ethernet switching Hub application.
- Customer designs available for specific application.
- Operating temperature range : -40°C to +85°C .
- Storage temperature range: -40°C to +125°C .

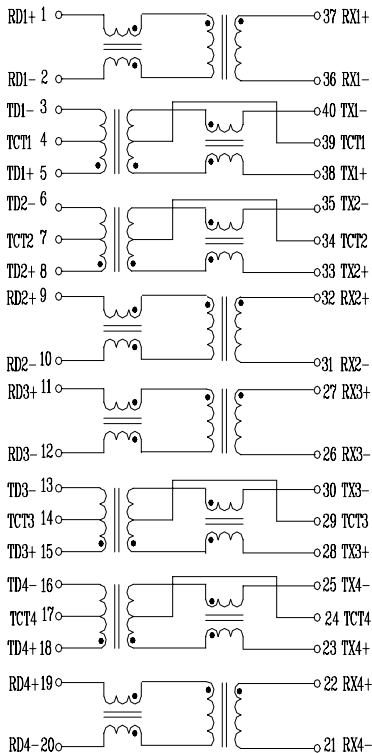
Electrical Specifications @ 25°C

| Part Number | Turns Ratio (±5%) | | OCL(μH Min) @100KHz/0.1Vrms 8mA DC/Bias | HI-POT (Vrms) | Rise Time (ns TYP) |
|-------------|-------------------|-----|--|---------------|--------------------|
| | TX | RX | | | |
| 40ST1053M | 1CT:1CT | 1:1 | 350 | 1500 | 2.5 |

Continue

| Part Number | Insertion Loss (dB Max) | Return Loss (dB Min) | | | Cross talk (dB Min) | | DCMR (dB Min) | | |
|-------------|-------------------------|----------------------|-----------|----------|---------------------|-----------|---------------|-------|---------|
| | | 0.3-100MHz | 0.3-30MHz | 30-60MHz | 60-80MHz | 0.3-60MHz | 60-100MHz | 60MHz | 100 MHz |
| 40ST1053M | -1.15 | -16 | -12 | -10 | -40 | -35 | -37 | -28 | -25 |

Schematic



Mechanical

