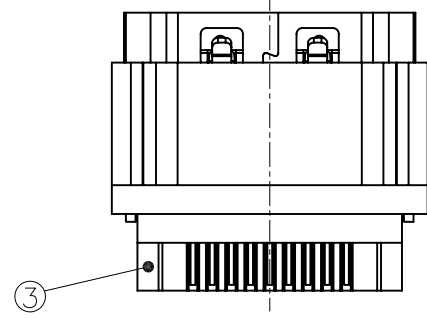
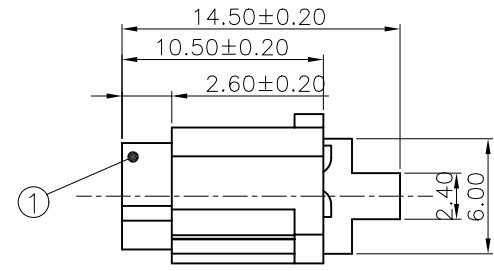
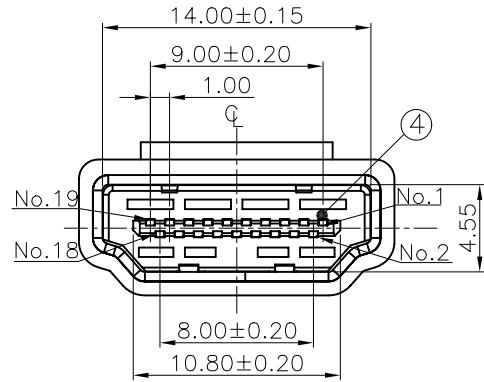
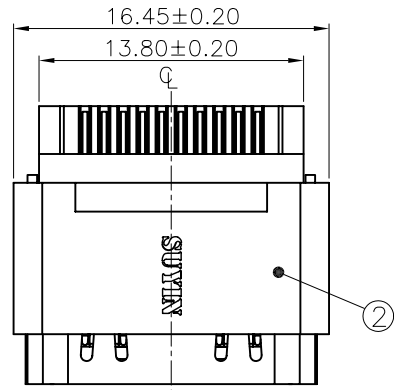


RoHS Compliant
2002/95/EC
Process Capable



1 NOTES:
100098FD019SX02ZA

- 1.Plating
- S1-05u" Min. gold in contact area/
100u" Min. Tin in solder area.
 - S2-Gold flash in contact area/
100u" Min. Tin in solder area.
 - S3-10u" Min. gold in contact area/
100u" Min. Tin in solder area.
 - S4-15u" Min. gold in contact area/
100u" Min. Tin in solder area.
 - S5-30u" Min. gold in contact area/
100u" Min. Tin in solder area.

NO.	DESCRIPTION	MATERIAL	COLOR	REMARK
4	Terminal	Copper Alloy		Gold/Tin Plated Over Ni
3	Cover	High Temp.	Black	UL 94V-0
2	Housing	High Temp.	Black	UL 94V-0
1	Shell	Metal		Ni Plated

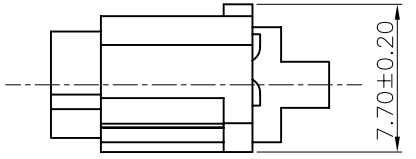
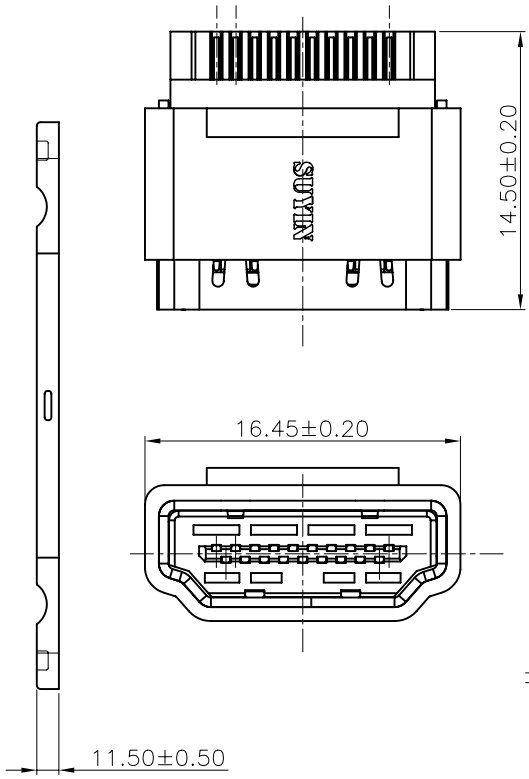
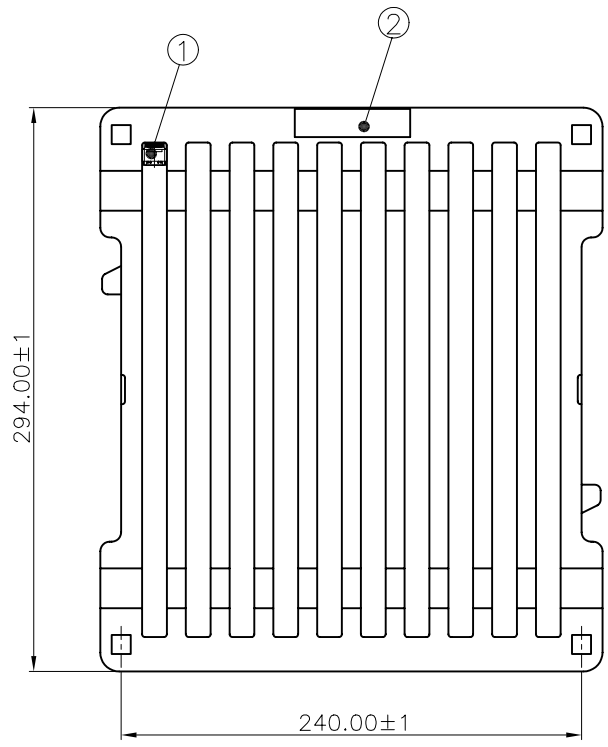
SUYIN
CONNECTOR

ECN(DCN) NO.	REV	DATE	DESCRIPTION	CHANGE	APPRO.	Angle	±2'	DRAW	李楠	06'/11/30
	0		NEW RELEASE	李楠 童俐		30 ~	±0.50	DESIGN	李楠	06'/11/30
			NEW	李楠 童俐		10 ~ 30	±0.30	CHECK	鄭冰雨	06'/11/30
	P0	06'/09/01				~ 10	±0.15	APPRO.	童俐	06'/11/30

CUSTOMER COPY	TITLE: HDMI Solder Type Female Connector
PART NO.	100098FD019SX02ZA
PRODUCT SPEC.	100098FX019XXXXZX
FILE NAME.	100098FD019SX02ZA-C
SCALE	2.5:1
UNIT:mm	A4
SHEET: 1 of 2	



RoHS Compliant
2002/95/EC



SCALE 2.5:1

1 Package Information

Product Number	Q'ty per tray
100098FD019SX02ZA	170 Pcs

NOTE: 1. All dimensions tolerance are: ±0.30mm unless otherwise specified.
2. Tray: T=0.70mm

2	Tray	PVC	Trans	——
1	Product	——	——	100098FD019SX02ZA
NO.	DESCRIPTION	MATERIAL	COLOR	REMARK



CUSTOMER COPY	TITLE: HDMI Solder Type Female Connector			
PART NO.		100098FD019SX02ZA		
PRODUCT SPEC.		100098FX019XXXXZX		
FILE NAME.	DWG	100098FD019SX02ZA-C		
SCALE	1:4	UNIT:mm	A4	SHEET: 2 of 2

					Angle	±2°	DRAW	李楠	06'/11/30
					30 ~	±0.50	DESIGN	李楠	06'/11/30
	0		NEW RELEASE	李楠 童俐	10 ~ 30	±0.30	CHECK	鄭冰雨	06'/11/30
	P0	06'/09/01	NEW	李楠 童俐	~ 10	±0.15	APPRO.	童俐	06'/11/30
ECN(DCN) NO.	REV	DATE	DESCRIPTION	CHANGE	APPRO.	GENERAL TOLERANCE UNLESS OTHERWISE NOTED	APPRO.		