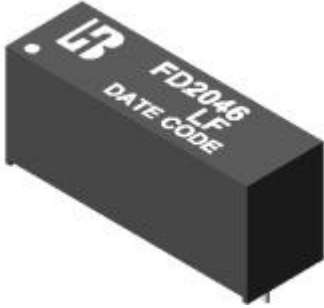




10 BASE-T, SIL FILTER(WITH 2 COMMON
CHOKE) APPLY TO GENERIC IC

P/N:FD2046 LF DATA SHEET

Feature



- IEEE 802.3 and IEEE 802.5 compatible.
- Designed to meet AMD AM79C98, AT & T T7220 & NS DP83922 Chip sets requirements and meet FCC Class B.
- Integrated filter and isolation function in 10 PIN SIL package.
- Low insertion loss characteristics.
- Cost effective designs.
- Receiving & Transmitting side both with common mode choke.
- Compliant with RoHS requirements.
- Lead free for external pins.
- Operating temperature range: 0 to +70 .
- Storage temperature range: -25 to +125 .

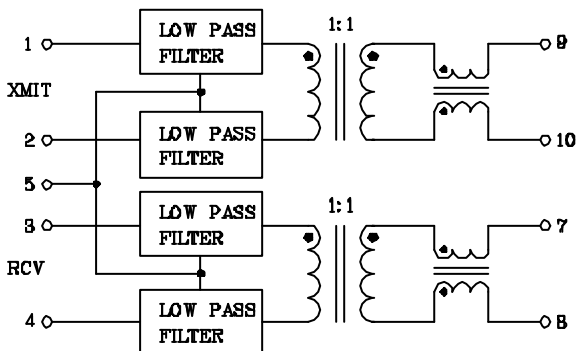
Electrical Specifications @ 25°C

Part Number	Turns Ratio (±5%)		CUT-OFF Frequency TX/RX	Group delay change (nS Max)	Cross talk (dB Min) 1-10MHz	HI-POT (Vrms) 2000
	TX	RX				
FD2046 LF	1:1	1:1	17MHz±1.5MHz	4.0	-30	

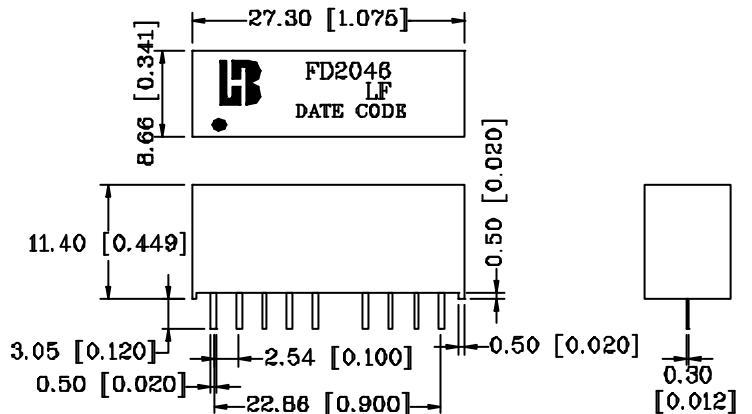
Continue

Part Number	Insertion Loss (dB Max) TX/RX	Return Loss (dB Min) TX/RX	Attenuation (dB Min) TX/RX			CMR (dB Min)	
			20MHz	30MHz	40MHz	TX	RX
FD2046 LF	-1.0	-14	-5/-5	-27/-20	-35/-31	-35	-30

Schematic



Mechanical



Units: mm[Inches] Tolerances: xx.x0±0.25[0.010]
0.xx±0.05[0.002]