



actual size

actual size

# Quartz Crystal • JXE42

## Surface Mount Quartz Crystal

### Features

■ bluetooth applications

■ ceramic/ceramic package

### General Data

type	JXE42	
frequency range	13.0 ~ 50.0 MHz	( fund. AT-cut )
frequency tolerance at 25 °C	±20 ppm ~ ± 30 ppm	
load capacitance $C_L$	12 pF ~ 16 pF	
shunt capacitance $C_0$	< 7 pF	
storage temperature	-40 °C ~ +90 °C	
drive level max.	100 µW	
aging	< ±5 ppm first year	

### ESR (series resistance Rs)

frequency in MHz	vibration mode	ESR max. in $\Omega$	ESR typ. in $\Omega$
13.0 ~ 15.999	fund.- AT	80	40
16.0 ~ 50.000	fund.- AT	60	30

### Frequency Stability vs. Temperature

		± 30 ppm	± 50 ppm			
-20 °C ~ +70 °C	STD.	○	○			
-40 °C ~ +85 °C	T1		○			

● standard  
 ○ on request

### Marking

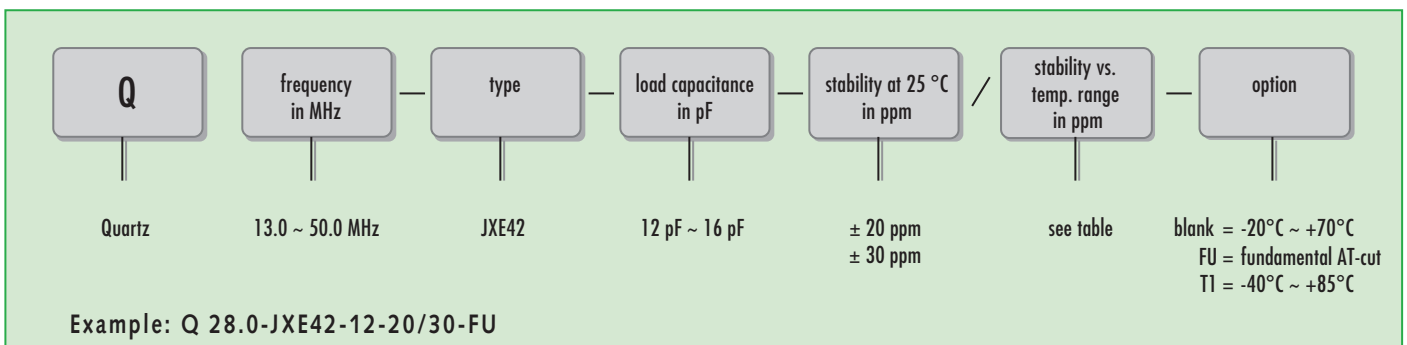
frequency with load capacitance code  
 company code / date code / internal code

date code: year/month  
 example: 4A = 2004 January

Jan.	Febr.	Mar.	Apr.	May	June
A	B	C	D	E	F

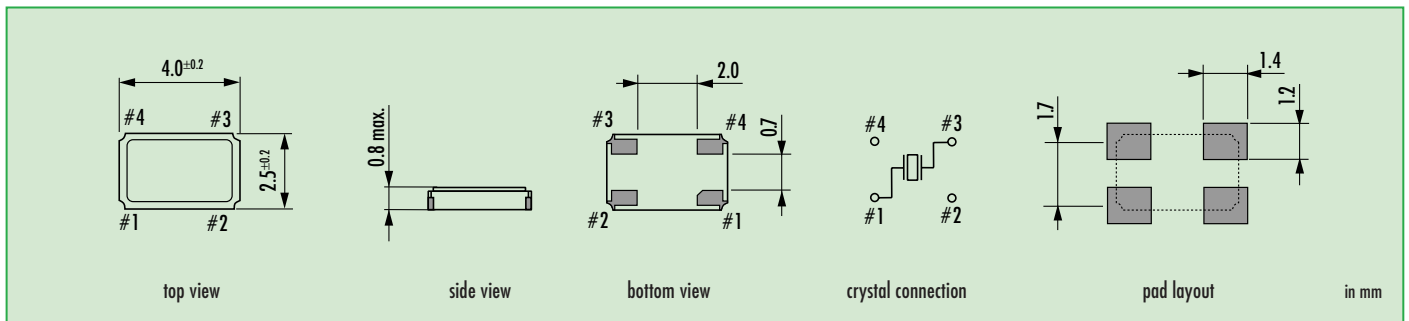
July	Aug.	Sept.	Oct.	Nov.	Dec.
G	H	J	K	L	M

### Order Information

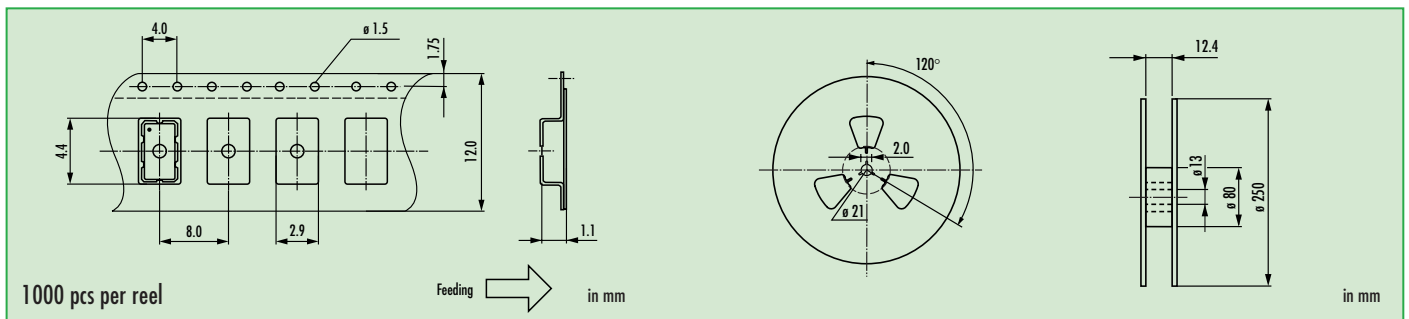


# Quartz Crystal • JXE42

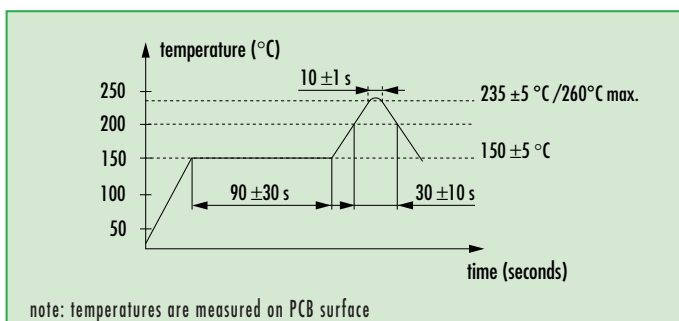
## Dimensions



## Taping Specification



## Reflow Soldering Profile



## Load Capacitance Codes

7 pF: m	13 pF: v	20 pF: c	32 pF: e
8 pF: k	14 pF: x	22 pF: g	series: s
9 pF: n	15 pF: j	24 pF: d	T: 3rd OT
10 pF: h	16 pF: b	25 pF: r	
11 pF: l	17 pF: t	27 pF: w	
12 pF: a	18 pF: f	30 pF: .	

example 13.0 MHz / 12 pF: 13a00