



Model No.	OSBH50830G3-XXXXS1C1A-X
REV.	B2

## PRODUCT SPECIFICATION FOR **LED Ribbon Light**

### Descriptions:

- Linear separable LED strip on flexible printed circuit board with self-adhesive back
- Long life, easy Installation
- Voltages available 12VDC
- LED model number: OSXXXXS1CXA

### Features:

- Available in red, orange, yellow, green, blue, white
- Directly use on line voltage
- Low power consumption, high intensity
- Energy saving
- Excellent beam control
- Long life

### Application:

- Auto lighting
- Channel letter signs
- Indirect accent décor light
- Large area back lighting
- Under counter light
- Decorate building's contour
- Substitute neon light

### Product Picture:





Model No.	OSBH50830G3-XXXXS1C1A-X
REV.	B2

### Device Selection Guide

Module No.	Color	Dom. Wavelength (Typ.)	Intensity / Per LED (Typ.)
OSR5RUS1C1A	Red	625±5nm	350mcd
OSO5SAS1C1A	Orange	605±5nm	350mcd
OSY5RUS1C1A	Yellow	590±5nm	350mcd
OSG5DAS1C1A	Green	525±5nm	1120 mcd
OSB5SAS1C1A	Blue	470±5nm	400mcd
OSW5DLS1C1A	white	X=0.27;Y=0.28	1900mcd
OSM5DLS1C1A	Warm white	X=0.45;Y=0.41	1250mcd
OSK5DLS1C1A	pink	X=0.45;Y=0.17	380mcd

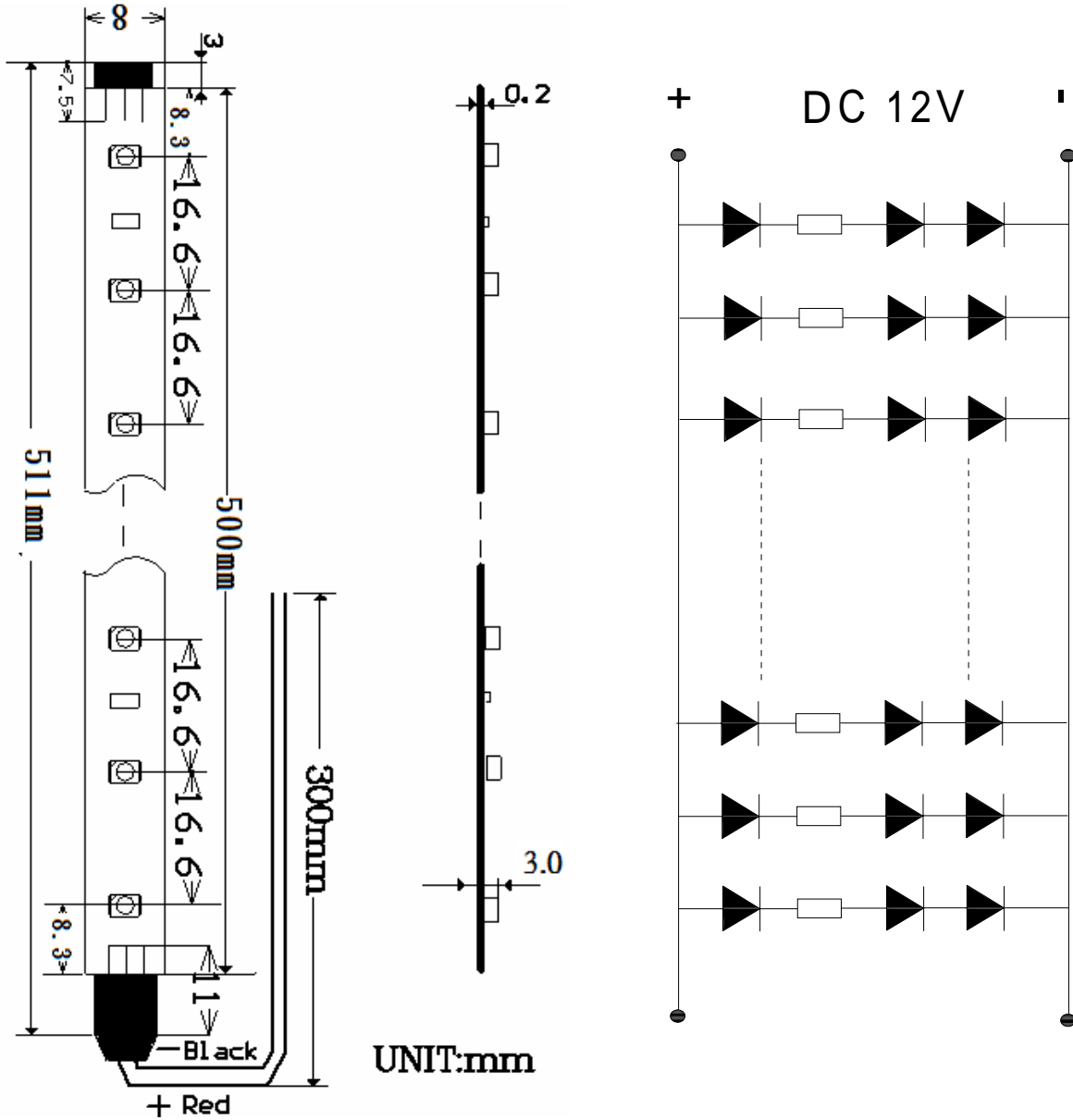
### Absolute Maximum Ratings(Ta=25 )

Items	Symbol	Values	Units
Operating Supply Range(DC)	V <sub>idc</sub>	14	V
Input Current (DC)	I <sub>i</sub>	300	mA
Power Dissipation	P <sub>a</sub>	4.2	W
LED Light Source Temperature	T <sub>led</sub>	105	DegC
Operating Temperature	T <sub>ope</sub>	-10 ~ +40	DegC
Storage Temperature	T <sub>sto</sub>	-20 ~ +80	DegC

### Typical Performance (Ta=25 )

Items	Symbol	Min.	Typ.	Max.	Units
LED Module Power	P <sub>m</sub>	-	2.4	4.2	W
Input Voltage(DC)	V <sub>i</sub>	-	12	14	V
Product Input Current	I <sub>f</sub>	-	200	300	mA
Beam Pattern	BP	-	120	-	Deg
Total Length of Modules (Including Pin)	L <sub>mod.</sub>	-	511	-	mm
Net Weight	Wei.	---	20	---	g

Model No.	OSBH50830G3-XXXXS1C1A-X
REV.	B2

**Product Dimensions:**




Model No.	OSBH50830G3-XXXXS1C1A-X
REV.	B2

Packing information:

Box Dimensions  
Unit: mm

