

40 PIN SMD 10-BASE T QUAD SMT TRANSFORMER MODULES

P/N: 40ST8050C DATA SHEET

Feature



- Family of parts-common footprint and pinout with a choice of filtering for customized EMI performance.
- IC grade transfer-molded package withstands 235• peak temperature performance.
- Space-efficient-12 ports across 3.6 inches for optimal PCB layout.
- Operating temperature range : 0°C to +70°C.
- Storage temperature range: -25°C to +125°C.

Electrical Specifications @ 25°C

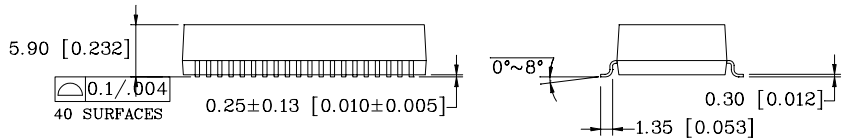
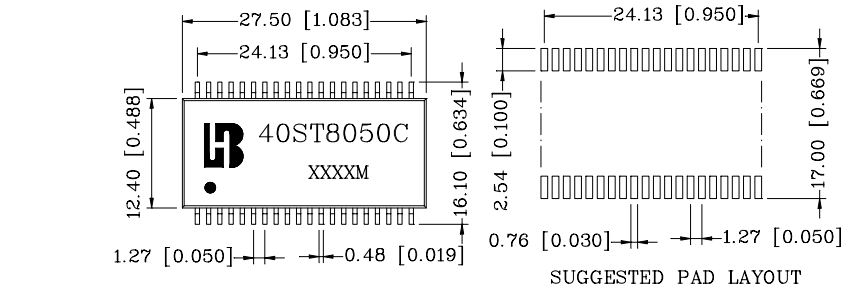
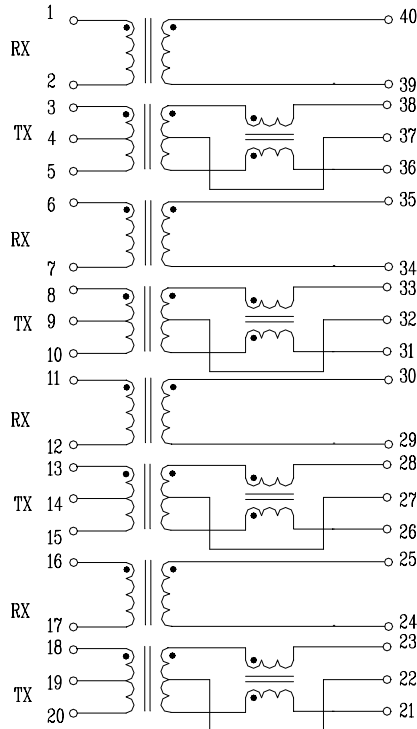
Part Number	Turns Ratio (±5%)		Wine Wave Inductance(•H Min) @100KHz/20mVrms	L.L (•H Max) @100KHz/20mVrms	Cw/w (pF Max) @100KHz/20mVrms	Cross Talk (dB Min) 0.3-10MHz	HI-POT (Vrms)
	TX	RX					
40ST8050C	1CT:1 CT	1:1	150	0.3	10	-35	1500

Continue

Part Number	Insertion Loss (dB Max) 0.3-10MHz	Return Loss(dB Min)@ 5-10MHz		CMR (dB Min) TX				
		100Ω	98±13Ω	5 MHz	10 MHz	50 MHz	100 MHz	200 MHz
40ST8050C	-0.5	-20	-15	-60	-50	-35	-25	-20

Schematic

Mechanical



Units: mm[Inches] Tolerance: xx.x0±0.25[0.010]
0.xx±0.05[0.002]