



**P/N: 40ST1041EX LF DATA SHEET**

**Feature**



- IEEE 802.3 Ethernet compatible, 100 Base-TX
- Surface mountable.
- Design for multi-port repeater and Ethernet switching Hub application.
- Customer designs available for specific application.
- Lead free for external pins.
- Operating temperature range : 0 to +70 .
- Storage temperature range: -25 to +125 .

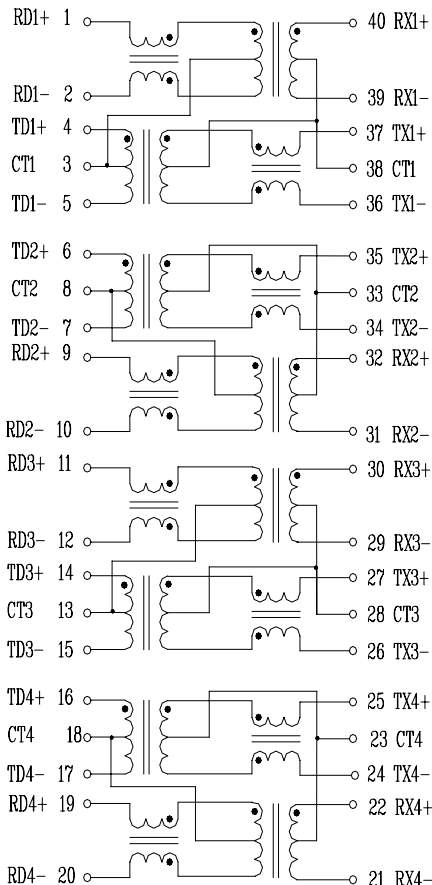
**Electrical Specifications @ 25°C**

Part Number	Turns Ratio (±5%)		OCL( μ H Min) @100KHz/0.1Vrms 8mA DC/Bias	L.L ( μ H Max)	Cw/w (pF Max)	HI-POT (Vrms)	Rise Time (nS Typ)
	TX	RX					
40ST1041EX LF	1CT:1CT	1CT:1CT	350	0.5	56	1500	2.5

**Continue**

Part Number	Insertion Loss (dB Max)	Return Loss (dB Min)				Cross talk (dB Min)		DCMR (dB Min)		
		0.3-100MHz	0.3-30MHz	30-60MHz	60-80MHz	0.3-60MHz	60-100MHz	60MHz	100MHz	200MHz
40ST1041EX LF	-1.15	-16	-12	-10	-40	-35	-37	-28	-25	

**Schematic**



**Mechanical**

