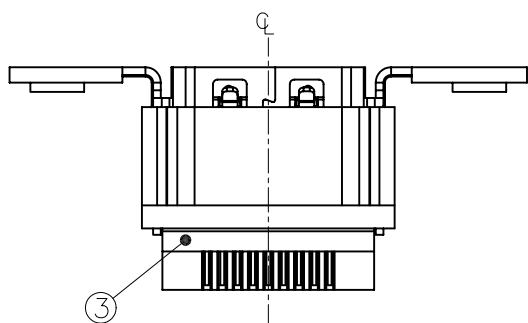
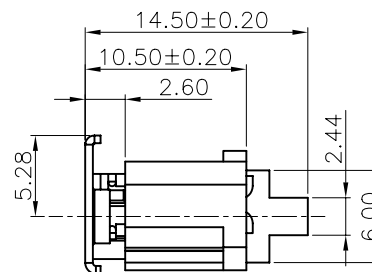
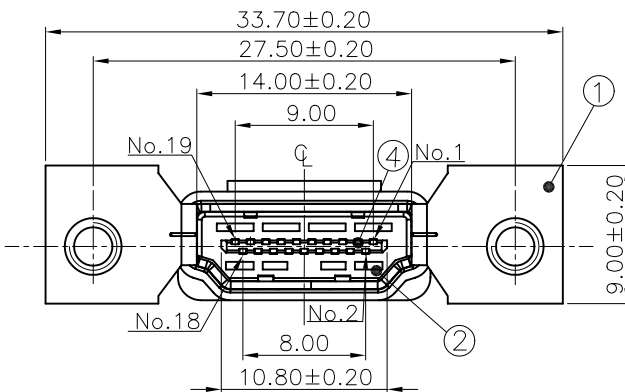
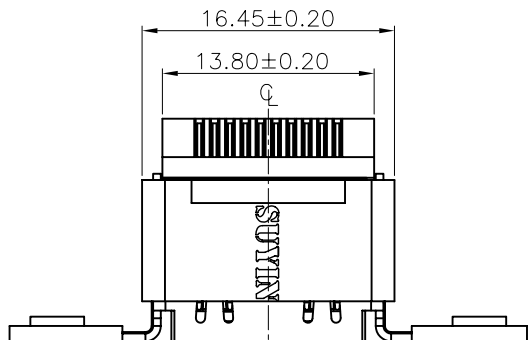




**RoHS Compliant**  
2002/95/EC  
Process Capable



NOTES:  
100042MD019S□06ZA

- 1.Plating
- S1-05u" Min. gold in contact area/  
100u" Min. Tin in solder area.
  - S2-Gold flash in contact area/  
100u" Min. Tin in solder area.
  - S3-10u" Min. gold in contact area/  
100u" Min. Tin in solder area.
  - S4-15u" Min. gold in contact area/  
100u" Min. Tin in solder area.
  - S5-30u" Min. gold in contact area/  
100u" Min. Tin in solder area.

NO.	DESCRIPTION	MATERIAL	COLOR	REMARK
4	Terminal	Copper Alloy		Gold/Tin Plated Over Ni
3	Cover	High Temp.	Black	UL 94V-0
2	Housing	High Temp.	Black	UL 94V-0
1	Shell	Metal		Ni Plated

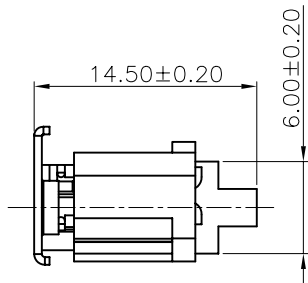
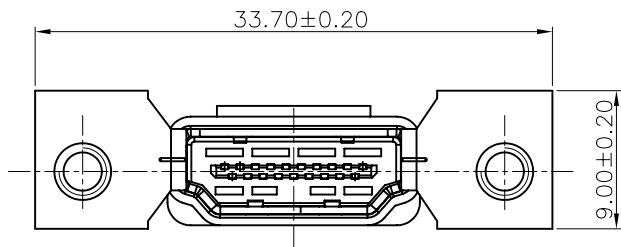
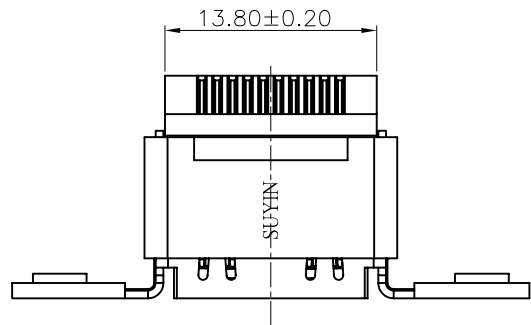
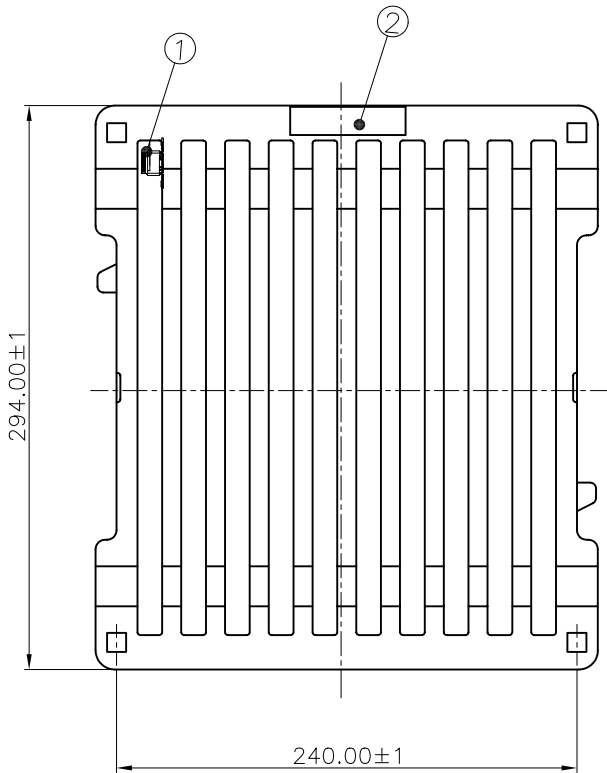
**SUYIN**  
CONNECTOR

CUSTOMER COPY	TITLE: HDMI Solder Type Female Connector		
PART NO.	100042MD019SX06ZA		
PRODUCT SPEC.	100042MX019XXXXZX		
FILE NAME.	D	100042MD019SX06ZA-C	
SCALE	2:1	UNIT:mm	A4 SHEET: 1 of 2

ECN(DCN) NO.	REV	DATE	DESCRIPTION	CHANGE	APPRO.	GENERAL TOLERANCE UNLESS OTHERWISE NOTED	ANGLE	±2°	DRAW	DESIGN	CHECK	APPRO.
	0		NEW RELEASE				30 ~	±0.50	李楠	李楠	鄭冰雨	童俐
			NEW				10 ~ 30	±0.30	李楠	李楠	鄭冰雨	童俐
	P0	06' / 09 / 01					~ 10	±0.15	李楠	李楠	鄭冰雨	童俐
									李楠	李楠	鄭冰雨	童俐



**RoHS Compliant**  
2002/95/EC



SCALE 2:1

1 Package Information

Part Number	Q'ty per tray
100042MD019SX06ZA	100 pcs

NOTE:1.ALL dimensions toerance are:  
±0.30mm unless otherwise specified.  
2. TRAY:T=0.70mm

2	TRAY	PVC	TRANS	——
1	Product	——	——	100042MD019SX06ZA
NO.	DESCRIPTION	MATERIAL	COLOR	REMARK



CUSTOMER COPY	TITLE:	HDMI Solder Type Female Connector		
PART NO.		100042MD019SX06ZA		
PRODUCT SPEC.		100042MX019XXXXZX		
FILE NAME.	DWG	100042MD019SX06ZA-C		
SCALE	1:4	UNIT:mm	A4	SHEET: 2 of 2

					Angle	±2'	DRAW	李楠	06'/11/29
					30 ~	±0.50	DESIGN	李楠	06'/11/29
	0		NEW RELEASE	李楠童俐	10 ~ 30	±0.30	CHECK	鄭冰雨	06'/11/29
	P0	06'/09/01	NEW	李楠童俐	~ 10	±0.15	APPRO.	童俐	06'/11/29
ECN(DCN) NO.	REV	DATE	DESCRIPTION	CHANGE	APPRO.	GENERAL TOLERANCE UNLESS OTHERWISE NOTED	APPRO.		