



40PIN SMD ETHERNET 10/100 BASE TX TWO
PORT TRANSFORMER

Bothhandusa.com

P/N: 40ST1021D DATA SHEET

Feature



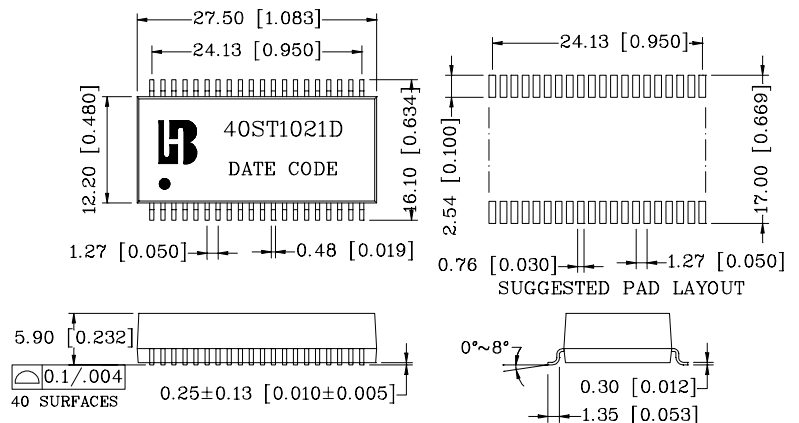
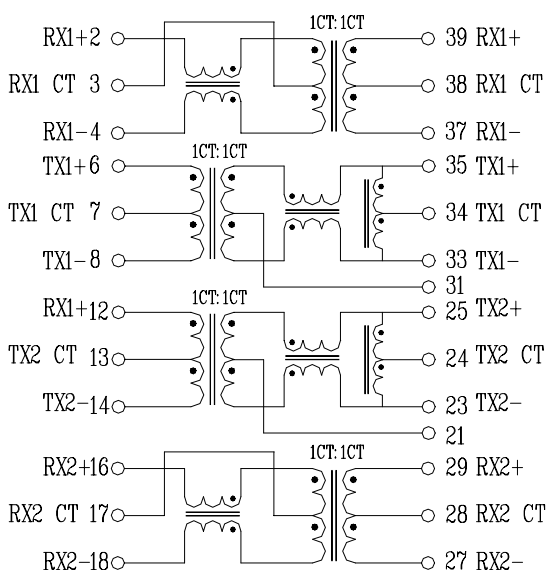
- 40-PIN SMD Package designed to meet IEEE 802.3 & IR requirement .
- Operating temperature range: 0°C to +70°C .
- Storage temperature range: -25°C to +125°C .

Electrical Specifications @ 25°C							
Part Number	Turns Ratio (±3%)		OCL (uH Min) @100KHz/0.1V with 8mA DC Bias	C _{WW} (pF Max)	L.L (uH Max)	Rise Time (nS Typ)	HI-POT (Vrms)
	TX	RX					
40ST1021D	1CT:1CT	1CT:1CT	350	20	0.4	2.5	1500

Continue										
Part Number	Insertion Loss (dB Max)	Return Loss (dB Min)				Cross talk (dB Min)		DCMR (dB Min) TX/RX		
		0.3-100MHz	1-30MHz	40-50MHz	60-80MHz	0.3-60MHz	60-100MHz	60MHz	100MHz	200MHz
40ST1021D	-1.15	-18	-14	-12	-40	-35	-40	-33	-25	

Schematic

Mechanical



Units: mm[Inches] Tolerance: xx.x0±0.25[0.010]
0.xx±0.05[0.002]