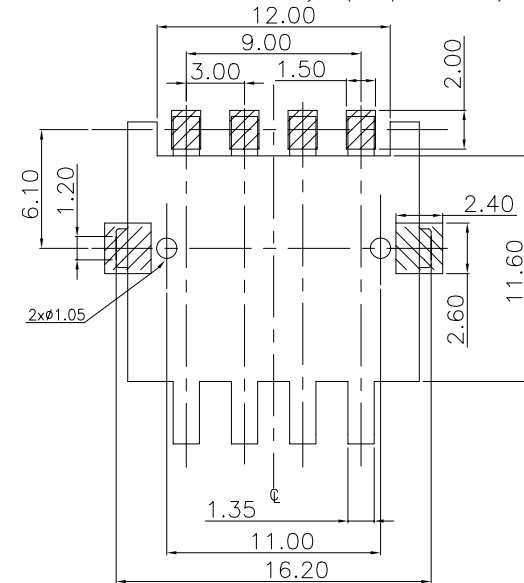


NOTE:  
300004MB004□□00ZL

1. Selective plating  
G1-05u" Gold over Nickel.  
G2-Indicate Gold flash.  
G3-10u" Gold over Nickel.  
G4-15u" Gold over Nickel.  
G5-30u" Gold over Nickel.  
G6-50u" Gold over Nickel.

Recommended P.C.B Layout(Component Side)



Notes:

1. This dimension should Keep 4.0~6.0mm during battery installation(AFTER LIFE TEST)
2. Life cycle over 5000 times(Testing stroke=2.5mm)
3. Working height 1.5 Contact Force 70~130 grams
4. Maximum stroke 3.0±0.2mm
5. Contact resistance < 40mΩ
6. Current: 1A
7. Rated voltage : DC 20V
8. "\*" symbols indicate key dimensions

NO.	DESCRIPTION	MATERIAL	COLOR	REMARK
3	FORK	Bronze	—	—
2	Terminal	Pho.Bronze	—	Gold/Tin
1	Housing	NY-6T	Black	UL 94V-0

**SUYIN**  
CONNECTOR

CUSTOMER COPY TITLE:  
3.00mm pitch battery conn-cradle

PART NO. 300004MB004GX00ZL

PART NO. (OLD) —

DRAWING NO. <sup>D</sup> <sub>ING</sub> 300004MB004GX00ZL

SCALE 5:1 UNIT mm A4

ECN (DCN) NO.	REV	DATE	DESCRIPTION	CHANGE	APPRO.	GENERAL TOLERANCE UNLESS OTHERWISE NOTED	ANGLE	±2°	DRAW	DESIGN	CHECK	APPRO.
	0		NEW	—	—		30 ~	±0.50				
							10 ~ 30	±0.30				
							~ 10	±0.15				