

DB101 THRU DB107

**SINGLE PHASE GLASS
PASSIVATED BRIDGE RECTIFIER**
VOLTAGE:50 TO 1000V CURRENT:1.0A

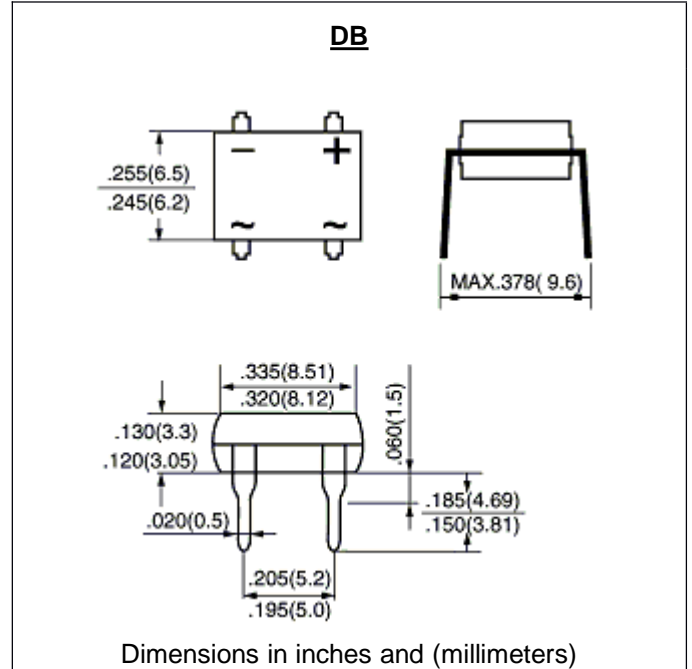


FEATURE

Ideal for printed circuit board
Reliable low cost construction utilizing molded plastic
Technique
Surge overload rating:50 A peak
UL recognized file # E-107371

MECHANICAL DATA

Terminal: Plated leads solderable per
MIL-STD 202E, method 208C
Case:UL-94 Class V-0 recognized Flame Retardant Epoxy
Polarity: Polarity symbol marked on body
Mounting position: any



MAXIMUM RATINGS AND ELECTRICAL CHARACTERISTICS

(single-phase, half -wave, 60HZ, resistive or inductive load rating at 25°C, unless otherwise stated, for capacitive load, derate current by 20%)

	SYMBOL	DB 101	DB 102	DB 103	DB 104	DB 105	DB 106	DB 107	units
Maximum Recurrent Peak Reverse Voltage	V _{rrm}	50	100	200	400	600	800	1000	V
Maximum RMS Voltage	V _{rms}	35	70	140	280	420	560	700	V
Maximum DC blocking Voltage	V _{dc}	50	100	200	400	600	800	1000	V
Maximum Average Forward Rectified Current at Ta =40°C	I _{f(av)}	1.0							A
Peak Forward Surge Current 8.3ms single half sine-wave superimposed on rated load	I _{fsm}	50.0							A
Maximum Instantaneous Forward Voltage at forward current 1.0A	V _f	1.1							V
Maximum DC Reverse Current Ta =25°C at rated DC blocking voltage Ta =125°C	I _r	10.0 500.0							μA μA
Typical Junction Capacitance	C _j	25.0							Pf
Operating Temperature Range	T _j	-55 to +125							°C
Storage and Operation Junction Temperature	T _{stg}	-55 to +150							°C

Note:

1. Measured at 1.0 MHz and applied voltage of 4.0 volt

RATINGS AND CHARACTERISTIC CURVES DB101 THRU DB107

1

FIG. 1 - DERATING CURVE OUTPUT RECTIFIED CURRENT

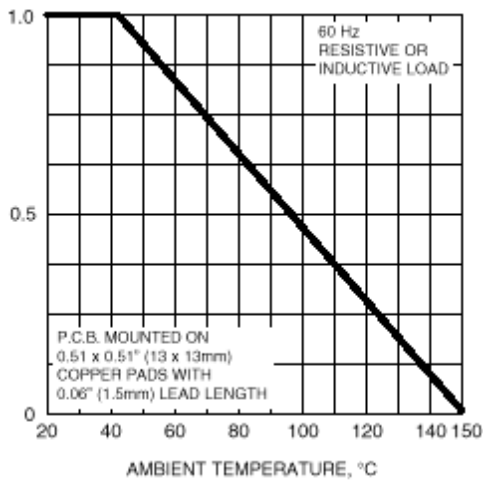


FIG. 2 - MAXIMUM NON-REPETITIVE PEAK FORWARD SURGE CURRENT PER LEG

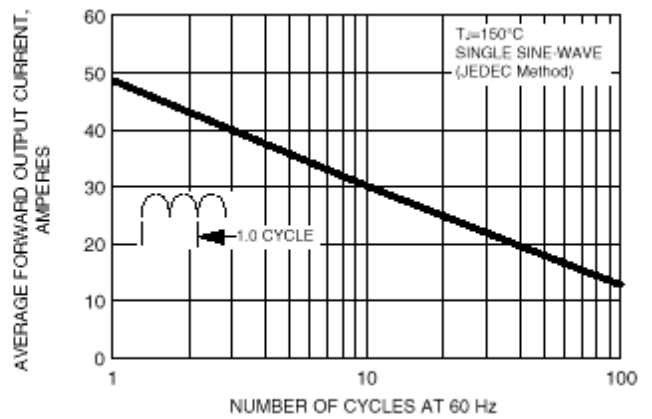


FIG. 3 - TYPICAL FORWARD CHARACTERISTICS PER LEG

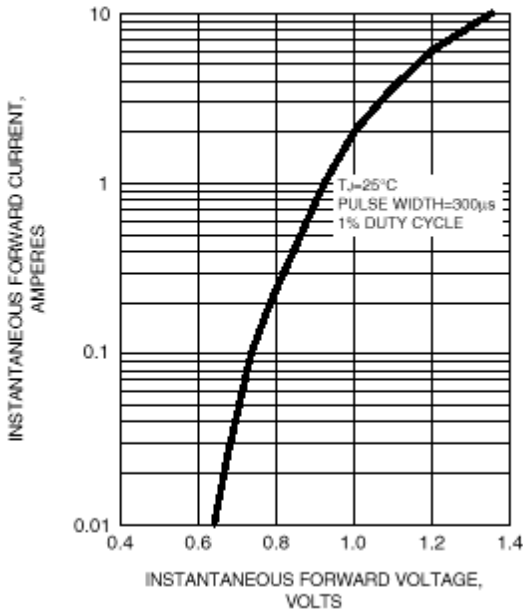


FIG. 4 - TYPICAL REVERSE LEAKAGE CHARACTERISTICS PER LEG

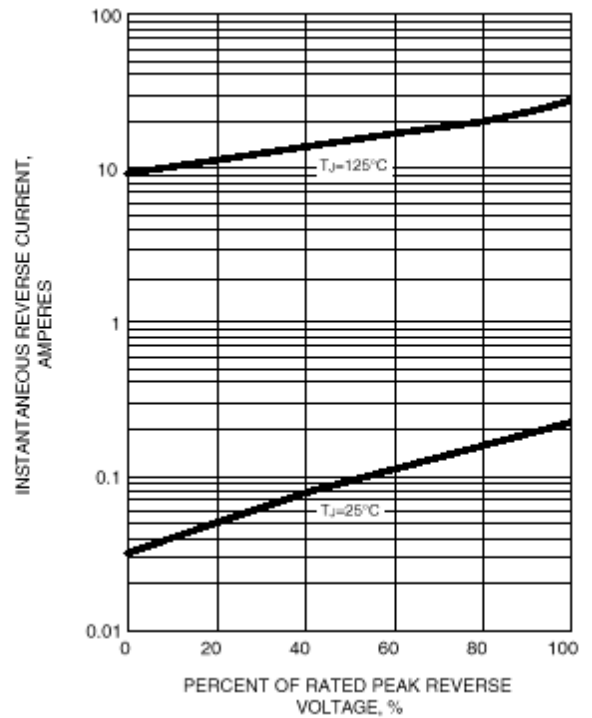


FIG. 5 - TYPICAL JUNCTION CAPACITANCE PER LEG

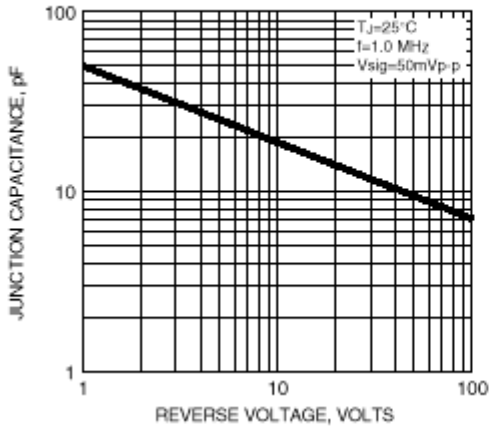


FIG. 6 - TYPICAL TRANSIENT THERMAL IMPEDANCE

