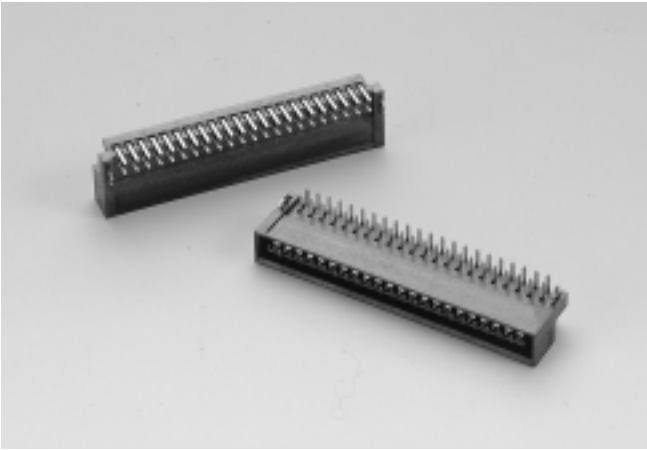


2.0mm PITCH PLUG RIGHT ANGLE TYPE FOR 2.5" H.D.D CONNECTOR (MOTHER BOARD SIDE)



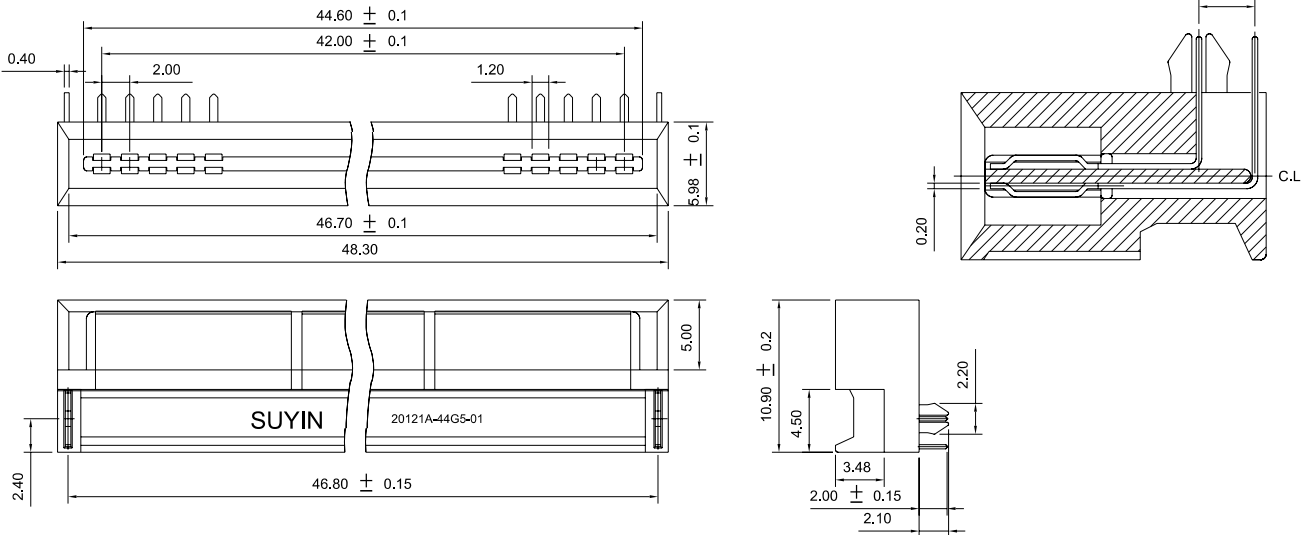
200221MR044G501ZU

Mates With SUYIN 200220FD Series

Specifications:

- 44 Circuits
- Insulator material : Black High Temp . Plastic
- Temp. Range : -40°C to +105°C
- Terminal Material : Pho. bronze
- Plating : Contact-Full Gold Plated
- Max. Current Rating : 1.5A
- Voltage Rating : 150V AC
- Dielectric Strength : 500V (Min. 60 seconds)

2.0
mm



Order Information

200221MR044G501ZU
1 2 3 4 5

1. 'R' : Right Angle Dip Type
2. No. of Pins
3. Plating
'G5' : 30u" In Contact Area
4. Color 'Z' : Black
5. Package
'U' : Tube Package Without CAP

Reference Page 11

Recommended P.C.B Layout

