



**P/N: 40ST1060 LF DATA SHEET**

**Feature**



- 40-PIN SMD Package compatible with Broadcom chips.
- Design for multi-port repeater and Ethernet applications Utilizing single RJ-45 connectors.
- Lead free for external pins.
- Insulation Resistance:10,000MΩ.
- Operating temperature range :0°C to +70°C.
- Storage temperature range: -25°C to +125°C.

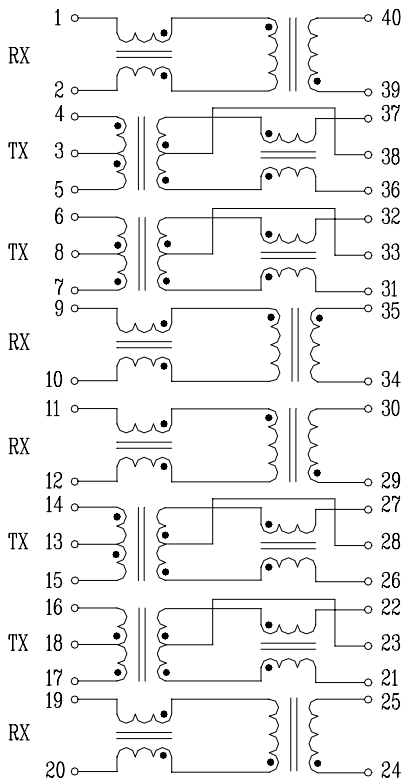
**Electrical Specifications @ 25°C**

Part Number	Turns Ratio (±5%)		OCL(uH Min) @100KHz/0.1V with 8mA DC Bias	L.L (uH Max)	C <sub>w/w</sub> (pF Max)	HI-POT (Vrms)
	TX	RX				
40ST1060 LF	1CT:1CT	1:1	350	0.42	28	1500

**Continue**

Part Number	Insertion Loss (dB Max)	Return Loss (dB Min)				Cross talk (dB Min)		DCMR (dB Min)		
		0.3-100MHz	0.3-30MHz	30-60MHz	60-80MHz	0.3-60MHz	60-100MHz	60MHz	100 MHz	200 MHz
40ST1060 LF	-1.15	-16	-12	-10	-40	-35	-37	-28	-25	

**Schematic**



**Mechanical**

