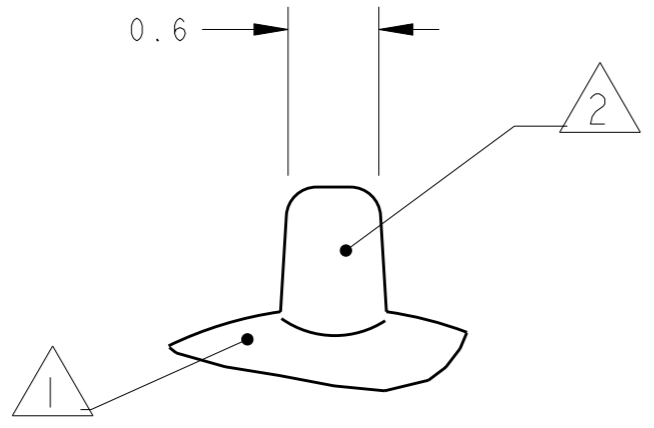


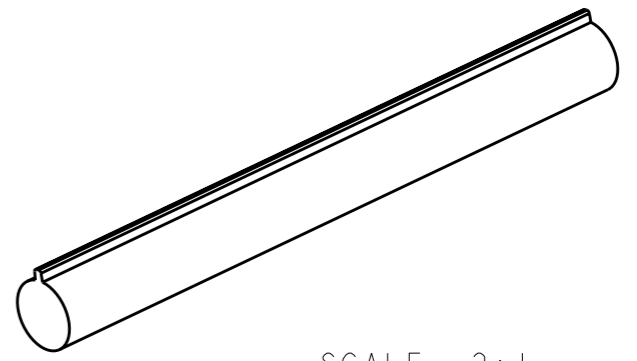
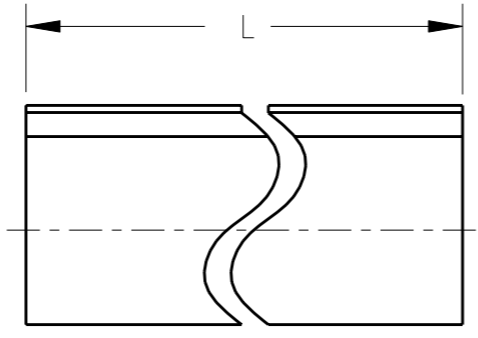
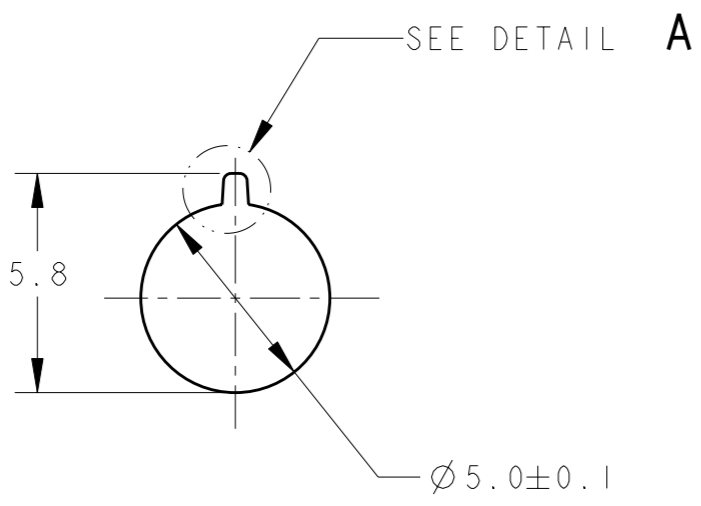
THIS DRAWING IS UNPUBLISHED. RELEASED FOR PUBLICATION 20
 © COPYRIGHT 20 BY TYCO ELECTRONICS CORPORATION. ALL RIGHTS RESERVED.

LOC	DIST	REVISIONS					
		P	LTR	DESCRIPTION	DATE	DWN	APVD
-	-		A	REVISED PER ECR-09-020990	23SEP2009	HMR	DD



- △ 1 MAT'L: CLEAR AREA: CLEAR OPTICAL ACRYLIC
- △ 2 MAT'L: WHITE AREA: WHITE ACRYLIC
- △ 3 PRELIMINARY - NOT FOR PRODUCTION.

DETAIL A
SCALE 20:1



SCALE 2:1

66.0±0.8	1676±20	N/A	△ 3	2058296-9
25.0±0.4	635±10	N/A	△ 3	2058296-8
18.0±0.4	460±10	N/A	△ 3	2058296-7
15.7±0.4	400±10	N/A	△ 3	2058296-6
12.0±0.4	305±10	N/A	△ 3	2058296-5
26.8±0.4	680±10	1732186-4	△ 3	2058296-4
35.4±0.8	900±20	1732186-3	△ 3	2058296-3
78.7±0.8	2000±20	1732186-2	△ 3	2058296-2
45.3±0.8	1150±20	1732186-1		2058296-1
L (inch)	L (mm)	REF TE PN		TE PN

<small>THIS DRAWING IS A CONTROLLED DOCUMENT FOR TYCO ELECTRONICS CORPORATION. IT IS SUBJECT TO CHANGE AND THE CONTROLLING ENGINEERING ORGANIZATION SHOULD BE CONTACTED FOR THE LATEST REVISION.</small>		DWN R BROWN 23APR2008 CHK C GINGRICH 23APR2008 APVD C GINGRICH 23APR2008	Tyco Electronics Harrisburg, PA 17105-3608
DIMENSIONS: mm	TOLERANCES UNLESS OTHERWISE SPECIFIED: 0 PLC ±0.5 1 PLC ±0.2 2 PLC ±0.13 3 PLC ±. 4 PLC ±. ANGLES ±.	PRODUCT SPEC - APPLICATION SPEC - WEIGHT -	NAME CO-EXTRUSION, LIGHTPIPE, 5mm, RAW
MATERIAL -	FINISH -	SIZE A3 CAGE CODE 00779 DRAWING NO C-2058296	RESTRICTED TO -
CUSTOMER DRAWING		SCALE 5:1	SHEET 1 OF 1 REV A