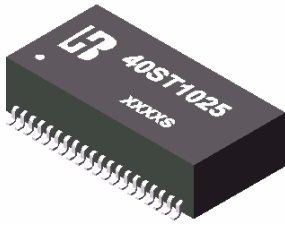


40 PIN SMD ETHERNET 10/100 BASE QUAD PORT TRANSFORMER

P/N: 40ST1025 DATA SHEET

Feature



- IEEE 802.3 Ethernet compatible .
- 100-Base-TX Surface mountable.
- Design for multiport repeater and Ethernet switching Hub application.
- Customer designs available for specific application.
- Operating temperature range : 0°C to +70°C .
- Storage temperature range: -25°C to +125°C .

Electrical Specifications @ 25°C

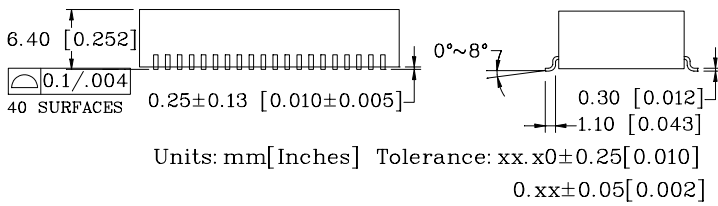
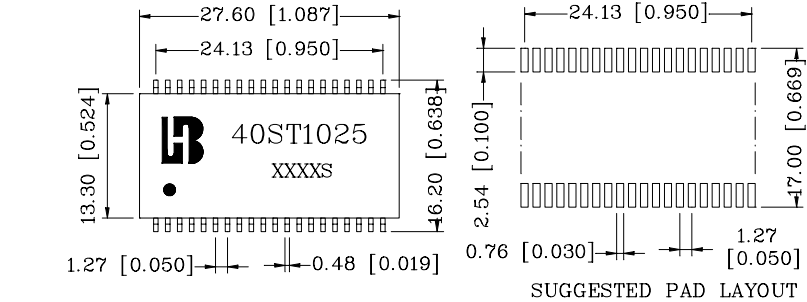
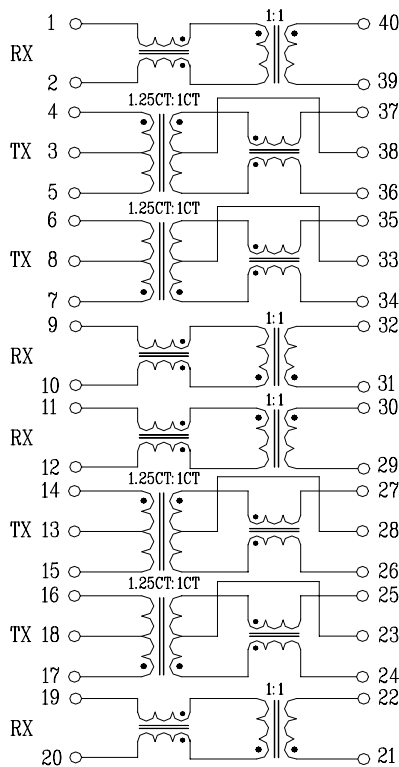
Part Number	Turns Ratio (±5%)		OCL(μH Min) @100KHz/0.1Vrms 8mA DC/Bias	L.L (μH Max)		Cw/w (pF Max)	HI-POT (Vrms)	Rise Time (nS Typ)
	TX	RX		TX	RX			
40ST1025	1.25CT:1CT	1:1	350	0.6	0.5	28	1500	2.5

Continue

Part Number	Insertion Loss (dB Max)	Return Loss (dB Min)			Cross talk (dB Min)		DCMR (dB Min)	
	0.3-100MHz	0.3-30MHz	30-60MHz	60-80MHz	0.3-60MHz	60-100MHz	1-60MHz	60-100 MHz
40ST1025	-1.15	-16	-12	-10	-45	-35	-40	-30

Schematic

Mechanical



Units: mm[Inches] Tolerance: xx.x0±0.25[0.010]
0.xx±0.05[0.002]